

Radio Shack®

Service Manual

26-3026 7

TRS-80®

Color Computer 2

Catalog Number 26-3026/7



CUSTOM MANUFACTURED IN U.S.A. BY RADIO SHACK, A DIVISION OF TANDY CORPORATION

TRS-80® Color Computer 2 Service Manual

Copyright® 1983 Tandy Corporation

All Rights Reserved

Reproduction or use, without express written permission from Tandy Corporation, of any portion of this manual is prohibited. While reasonable efforts have been taken in the preparation of this manual to assure its accuracy, Tandy Corporation assumes no liability resulting from any errors or omissions in this manual, or from the use of the information contained herein.

TABLE OF CONTENTS

1/ General

1.1	Introduction.....	1
1.2	System Description.....	1
1.3	Memory Map.....	6

2/ Specifications

2.1	Physical.....	13
2.2	Power.....	13
2.3	Technical.....	13

3/ Disassembly/Assembly

3.1	Disassembly.....	15
3.2	Assembly.....	16
3.3	64K Upgrade Instructions.....	18

4/ Theory Of Operation

4.1	MC6809E CPU.....	19
4.2	Reset Circuit.....	26
4.3	Memory.....	27
4.4	Video Generation Circuitry.....	31
4.5	Artifacting.....	34
4.6	PIAs.....	36
4.7	ROM.....	39
4.8	Keyboard Interface.....	39
4.9	DAC Circuitry.....	41
4.10	SALT Circuitry.....	44
4.11	Cassette Tape Format Information.....	48
4.12	RS232 Connector (J3).....	49
4.13	Cartridge Connector (J6).....	51
4.14	Power Transformer.....	55
4.15	Joysticks.....	55
4.16	TV Switch Box.....	56
	Schematic 8000191, Color Computer.....	57
	Component Layout 1700235, Main Logic Board 8857636...	61
	Circuit Trace, PCB 8857636, Component Side.....	63
	Circuit Trace, PCB 8857636, Solder Side.....	65
	Parts List, PCB 8857636.....	67

5/ Troubleshooting

5.1	Introduction.....	71
5.2	Video Problems.....	72
5.2.1	No Display.....	72
5.2.2	No Sync.....	73
5.2.3	"Garbage" on Screen.....	73
5.2.4	Clear Screen, No Signon.....	74
5.2.5	No Color.....	74
5.2.6	Wrong Colors.....	75
5.2.7	No Artifacts Or Improper Artifacts.....	75
5.3	Keyboard.....	76
5.3.1	No Keyboard Entry.....	76
5.3.2	Some Keys Inoperative.....	76
5.3.3	Wrong Character for Key Pressed.....	76
5.4	Processing Problems.....	77
5.4.1	General.....	77
5.4.2	Symptoms.....	77
5.5	Cassette Problems.....	80
5.5.1	Motor Control Problems.....	80
5.5.2	Write Problems.....	80
5.5.3	Read Problems.....	81
5.6	RS232 Problems.....	81
5.6.1	Output Missing or Incorrect.....	81
5.6.2	Input Problems.....	82
5.7	Sound Problems.....	82
5.8	Joystick Problems.....	82
5.9	Cartridge Problems.....	83
5.10	Power Supply.....	83

6/ Exploded View/Parts List

Exploded View.....	98
Parts List.....	99

Appendices

MC6809E Data Sheet (Motorola DS9846-R1)
SN74LS783 Data Sheet (Motorola ADI-595)
MC6847 Data Sheet (Motorola DS9823)
MC6821 Data Sheet (Motorola DS9435-R2)
MC6822 Data Sheet (Motorola ADI-938)

LIST OF FIGURES

Fig.	Description	Page No.
1-1	Color Computer 2 Installation.....	2
1-2	Color Computer 2 Block Diagram.....	4
1-3	Color Computer 2 Memory Map (Page 1).....	6
	Color Computer 2 Memory Map (Page 2).....	7
	Color Computer 2 Memory Map (Page 3).....	8
	Color Computer 2 Memory Map (Page 4).....	10
	Color Computer 2 Memory Map (Page 5).....	11
3-1	Shield Clip Location.....	16
3-2	Power Cord Strain Relief.....	17
3-3	64K Upgrade.....	18
4-1	MC6809E Programming Model.....	20
4-2	MC6809E Pin Assignments.....	23
4-3	MC6809E Read/Write Timing at 0.895 MHz.....	25
4-4	MC6883 Reset Circuitry.....	26
4-5	DRAM Block Diagram.....	28
4-6	DRAM Timing.....	29
4-7	Color Computer 2 Address Decoding.....	31
4-8	Color Computer 2 Artifacts Circuitry.....	35
4-9	PIA Block Diagram.....	37
4-10	Color Computer 2 Keyboard Array.....	40
4-11	DAC Block Diagram.....	42
4-12	SALT Block Diagram.....	45
4-13	Color Computer 2 Power Supply.....	46
4-14	I/O Circuitry.....	47
4-15	RS-232C Connector Pin-Out.....	49
4-16	Joystick Schematic.....	55
4-17	Antenna Switch Box Schematic.....	56
5-1	Normal Power Supply.....	88
5-2	Defective Power Supply.....	88
5-3	High Frequency Component of +5V Source.....	89
5-4	E and Q Clocks.....	90
5-5	VDG Clock and Modulator Clock.....	90
5-6	Y and Phase B.....	91
5-7	Phase B and Phase A Relationships, Green Screen..	92
5-8	Phase B and Phase A Relationships, Blue Screen...	92
5-9	Phase B and Phase A Relationships, Red Screen....	92
5-10	Artifacts Signals.....	93
5-11	Artifacts Signals.....	93
5-12	Artifacts Signals.....	93
5-13	Address Lines (Typical).....	94
5-14	Data Lines (Typical).....	94

LIST OF FIGURES (con't)

Fig.	Description	Page No.
5-15	RAS* and CAS*.....	95
5-16	Data IN and Data OUT.....	95
5-17	Sound and Cassette Output.....	96
5-18	Cassette Zero Crossing Detector.....	96
6-1	Color Computer 2 Exploded View.....	98

LIST OF TABLES

1	Line Printer Variables.....	51
2	Alternate Line Printer Variable Values.....	52
3	Cartridge Connector Signals.....	53

1/ General

1.1 Introduction

The Color Computer 2 is a refined version of Radio Shack's popular Color Computer. It is designed to provide the same reliable operation as its predecessor, but incorporates the latest in electronic technology. Interconnection to a video monitor, printout device, or modem provides maximum versatility of the Color Computer 2. Figure 1-1 shows a typical installation of the Color Computer 2. Interconnecting cables are noted which provide signal and control transfer between the major components. Always remember to remove all power from the Color Computer 2 prior to installing any peripheral device to prevent damage to the device or the Color Computer 2.

The Color Computer 2 contains an internal BASIC program in ROM which is accessed when the unit is powered up. Other program modules/cartridges may be inserted into the receptacle at the right side of the unit. An optional Multipak Interface module allows up to four program paks to be installed at the same time with selection of the specific module active at any one time selected either by software or by a switch on the Multipak Interface module. Additional peripheral devices, such as an external disk drive, may be added to the Color Computer 2 for additional memory storage and retrieval.

All inputs to or outputs from the Color Computer 2, with the exception of the program module/cartridges, are contained on the rear panel of the unit. These include the joystick inputs (right and left), Serial I/O, Cass I/O, TV output connector, Power ON/OFF switch, and RESET switch. A recessed channel switch (for selecting either channel 3 or 4 on the TV) is also located on the rear panel of the unit.

1.2 System Description

The primary functions of the Color Computer 2 are performed by five 40-pin Large Scale Integration (LSI) chips plus Random Access Memory (RAM) and Read Only Memory (ROM). These five chips are labeled on the Block Diagram as CPU, SAM, VDG, and two PIAs. With only these five chips plus RAM, ROM, and a power supply, the Color Computer 2 will operate and provide a composite video output. However, to allow communication with the outside world, I/O interfaces must be added.

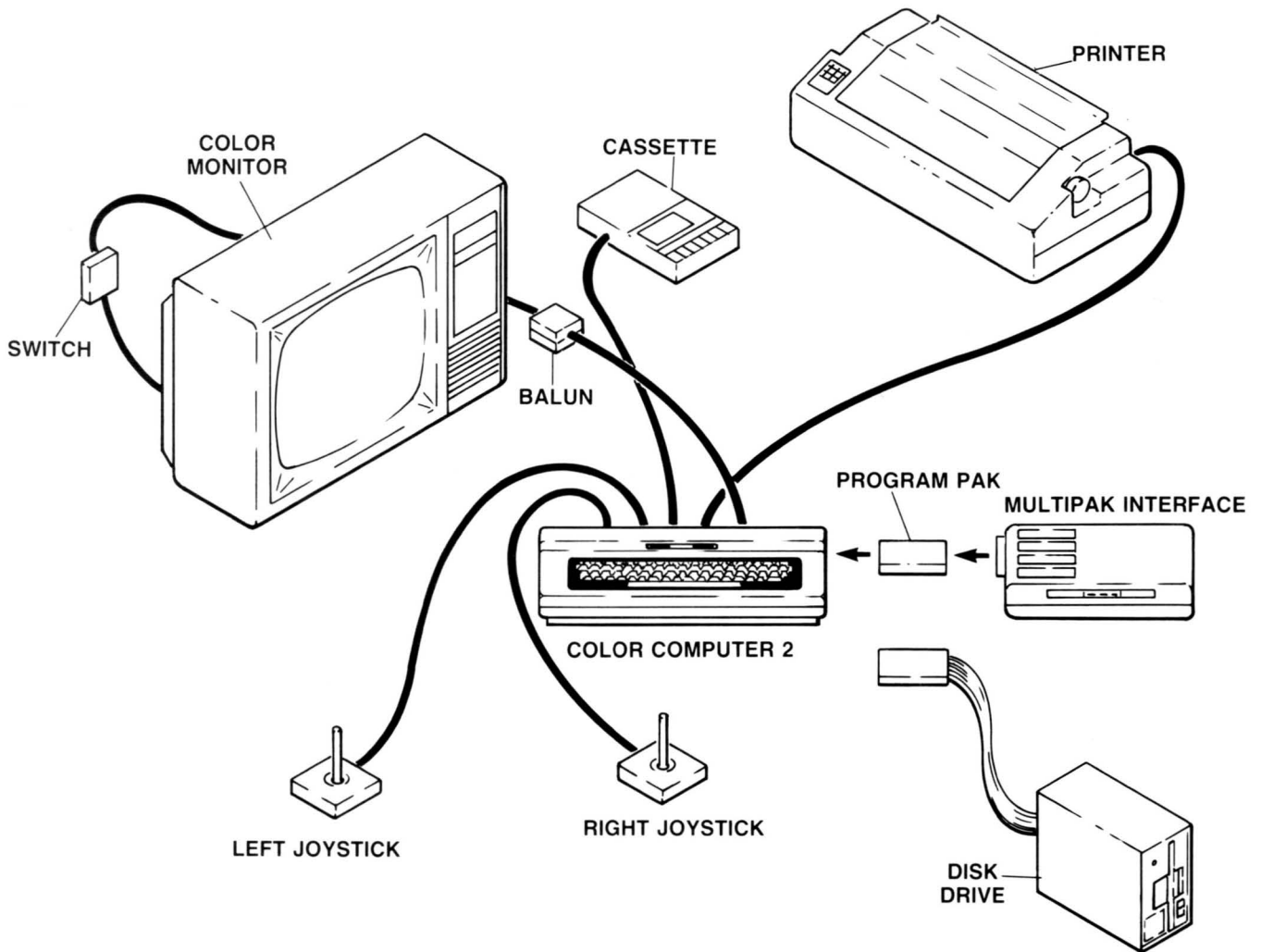


Figure 1-1. Color Computer 2 Installation

The main component of any computer system is the Central Processor Unit (CPU, U23). It is the function of the CPU to provide or request data and select the proper address for this data. In addition, the CPU is capable of performing a limited set of mathematical and logical operations on the data.

ROM (U12 + U13 in Extended Basic) has the function of providing the CPU with a pre-defined set of instructions. Without ROM, the CPU would run wild and randomly execute instructions. In normal operation, the CPU jumps to the start address in ROM after the reset switch has been pressed and then performs the reset program to set up all of the programmable devices. Following this, the BASIC interpreter residing in ROM is in control of the CPU.

RAM (U14 thru U21) provides storage for the programs and/or data currently being executed. In the standard unit, these eight ICs are 16K x 1 (MCM4517) but may be upgraded to 64K x 1 ICs (MC6665) as an option (see Paragraph 3.3 for instructions). In addition, this same RAM is used to generate the video display. Normally, no conflict will be observed because the program will use one portion of RAM and the display will use another. During normal usage, the BASIC interpreter located in ROM will control the execution of programs located in RAM.

A central component in the Color Computer 2 is the Synchronous Address Multiplexer (SAM, U22). This chip provides refresh and address multiplexing for the RAM. It also provides all of the system timing and device selection.

The video display generator (VDG, U8) provides virtually the entire video interface on one chip and allows several alphanumeric and graphic modes. The mode of operation of the VDG is controlled by one of two Peripheral Interface Adapters (PIAs, U2 and U7) used in the Color Computer 2. With this information and RAM data, the VDG generates composite video and color information for the modulator circuitry.

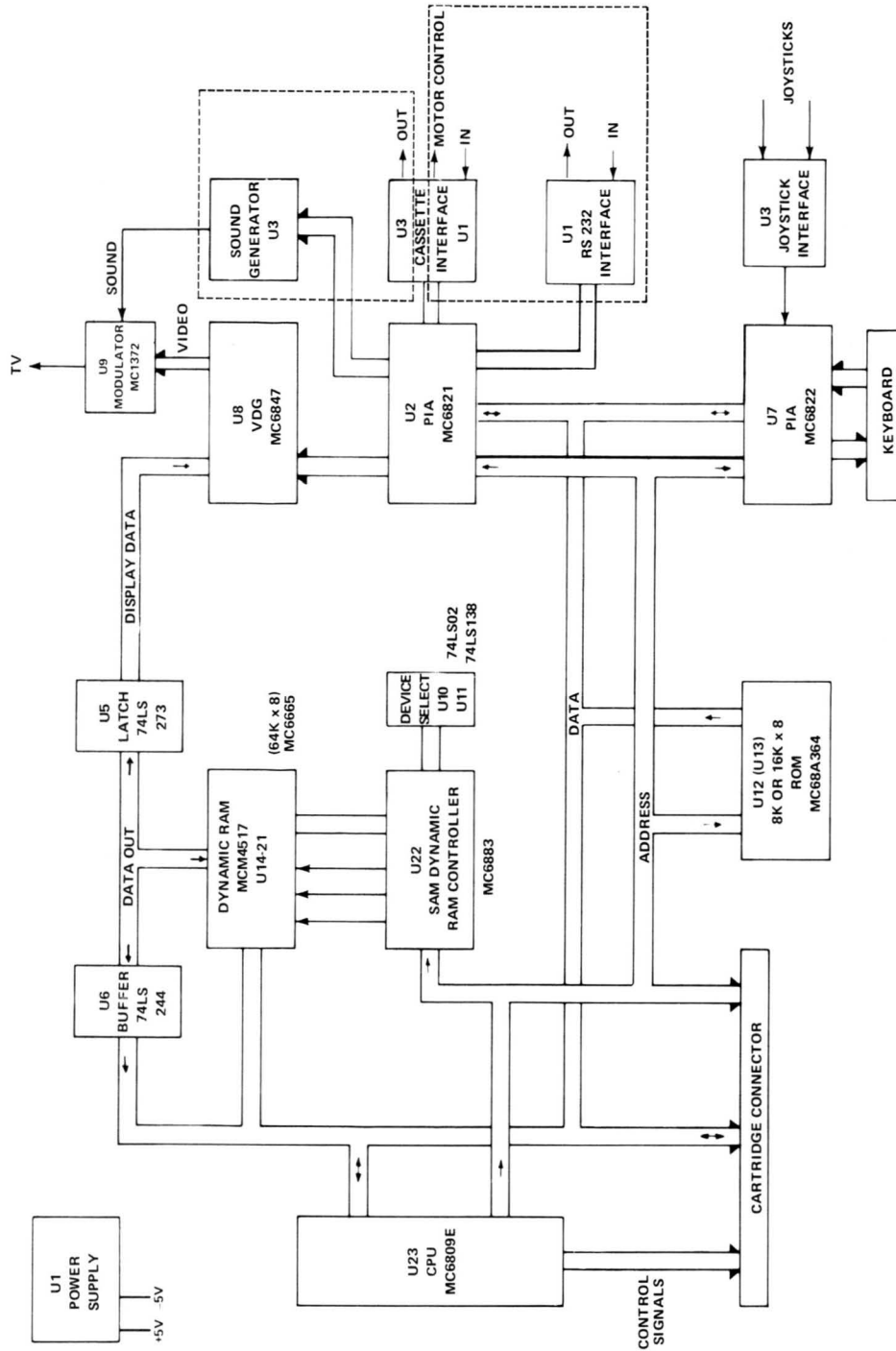


Figure 1-2. Color Computer 2 Block Diagram

The remaining circuitry in the Color Computer 2 is devoted to Input/Output (I/O) communication. The most important part of this circuitry is the keyboard which allows the operator to enter information. Other I/O circuits are provided to allow joystick inputs, cassette input and output, and RS-232 input and output.

1.3 Memory Map

The first page of the Memory Map (Figure 1-3) shows the breakdown of the large blocks of memory in the Color Computer 2. One variable in this block is the video display which may be located anywhere in the memory. BASIC normally locates the video display at the hexadecimal addresses from 0400 to 05FF.

The next two pages of the Memory Map explain the addressing for the PIAs. In general, the even numbered memory locations are the I/O registers and the odd numbered memory locations are the control registers. Bit two of the control registers determines what is addressed at the even numbered memory locations. If this bit is set high (logic 1), the data I/O register is addressed. If it is set low, the data direction register is addressed. Normally, the data direction register is addressed only during initialization to allow configuration of the data inputs and outputs. By clearing bit 2 and writing to the even numbered memory location one address below, each bit of the PIA may be set as an input or an output. A 1 in the data direction register sets the bit as an output and a 0 sets the bit as an input.

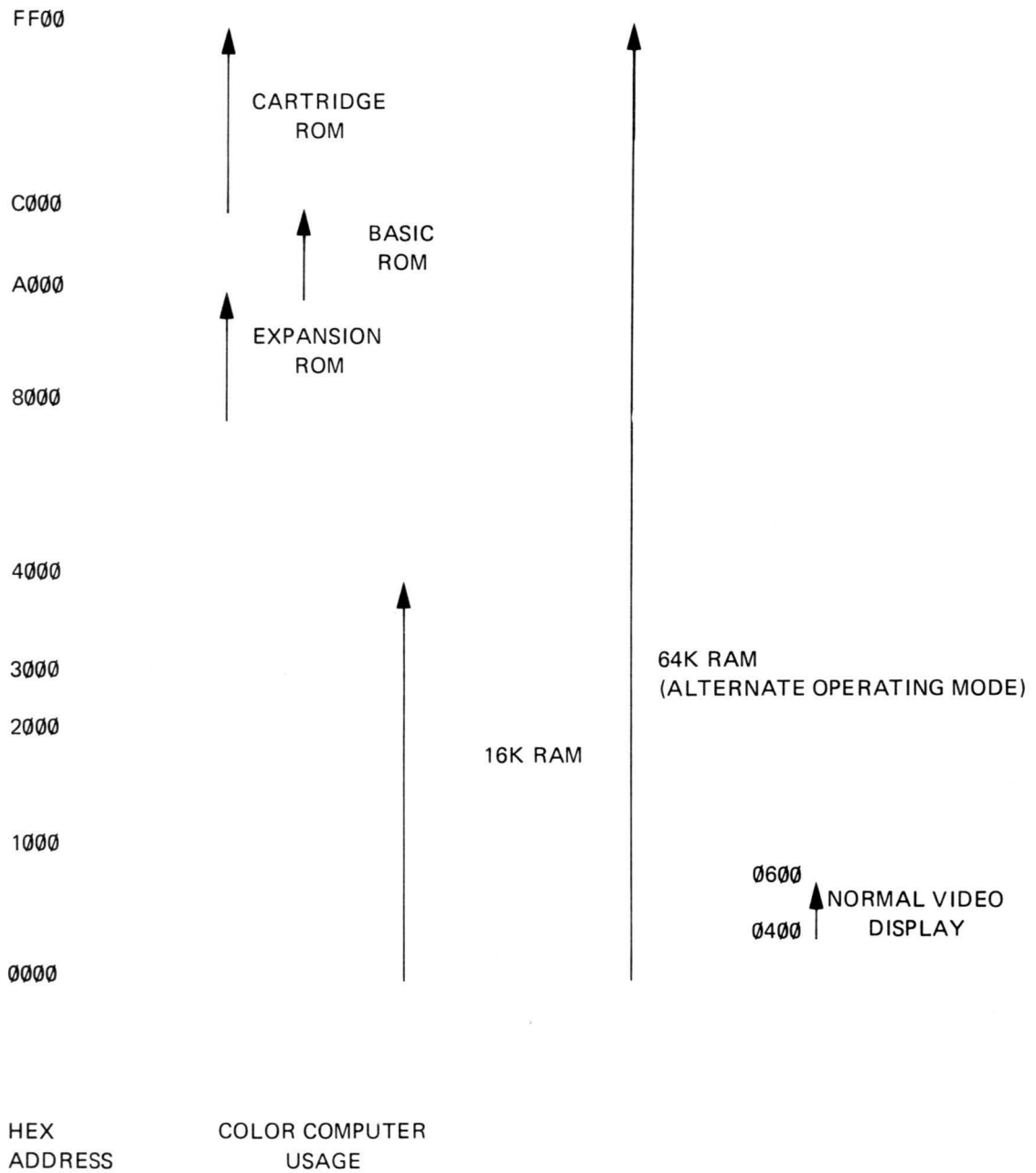


Figure 1-3. Color Computer Memory Map (page 1)

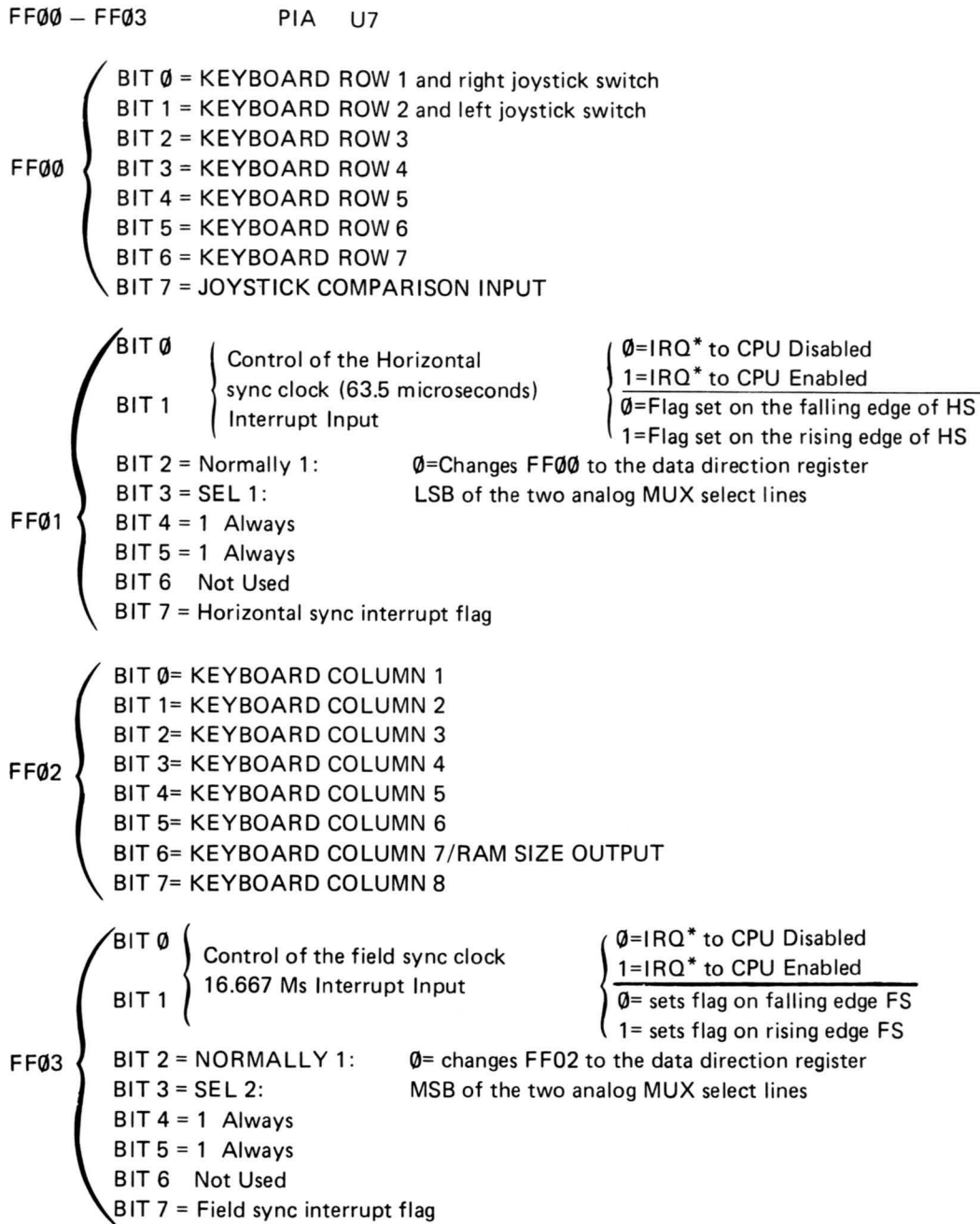


Figure 1-3. Color Computer Memory Map (page 2)

FF20 – FF23

PIA U2

FF20	{	BIT 0 = CASSETTE DATA INPUT BIT 1 = RS-232 DATA OUTPUT BIT 2 = 6 BIT D/A LSB BIT 3 = 6 BIT D/A BIT 4 = 6 BIT D/A BIT 5 = 6 BIT D/A BIT 6 = 6 BIT D/A BIT 7 = 6 BIT D/A MSB	
FF21	{	BIT 0 } Control of the CD BIT 1 } RS-232 status Input BIT 2 = Normally 1: 0 = changes FF20 to the data direction register BIT 3 = Cassette Motor Control: 0 = OFF 1 = ON BIT 4 = 1 Always BIT 5 = 1 Always BIT 6 = Not Used BIT 7 = CD Interrupt Flag	{ 0 = FIRQ* to CPU Disabled 1 = FIRQ* to CPU Enabled 0 = set flag on falling edge CD 1 = set flag on rising edge CD
FF22	{	BIT 0 = RS-232 DATA INPUT BIT 1 = SINGLE BIT SOUND OUTPUT BIT 2 = RAM SIZE INPUT BIT 3 = VDG CONTROL OUTPUT BIT 4 = VDG CONTROL OUTPUT BIT 5 = VDG CONTROL OUTPUT BIT 6 = VDG CONTROL OUTPUT BIT 7 = VDG CONTROL OUTPUT	HIGH = 16K CHANGEABLE = 64K CSS GM0 & $\overline{\text{INT}}/\text{EXT}$ GM1 GM2 $\overline{\text{A}}/\text{G}$
FF23	{	BIT 0 } Control of the Cartridge BIT 1 } Interrupt Input BIT 2 = Normally 1: 0 = changes FF22 to the data direction register BIT 3 = Six BIT Sound Enable BIT 4 = 1 Always BIT 5 = 1 Always BIT 6 = Not Used BIT 7 = Cartridge Interrupt Flag	{ 0 = FIRQ* to CPU Disabled 1 = FIRQ* to CPU Enabled 0 = sets flag on falling edge CART* 1 = sets flag on rising edge CART*
FF40 – FFBF		NOT USED	

Figure 1-3. Color Computer Memory Map (page 3)

The addresses from FFC0 to FFDF are the control registers for the SAM address multiplexer chip (U22). There are no data lines to the SAM chip; therefore, two addresses are used to control each register. In general, writing any data to an even numbered memory location will clear the register and writing any data to an odd numbered memory location will set the register. Addresses FFC0-FFC5 control the display mode. To select a certain display mode, the display mode control registers (V0-V2) and the PIA (U2) controlling the VDG chip must all be set to the proper mode.

Addresses FFC6 to FFD3 control the display starting address. If all of the registers are cleared, the display will begin at 0000. Normally, register F2 will be set causing the display to start at 0400. This feature of the SAM chip allows the display to be paged through all of the RAM. Register P1 controls a feature which is not used in the Color Computer 2. Therefore, it should be cleared at all times.

Addresses FFD6 to FFD9 control the clock speed of the CPU. The Color Computer 2 is designed to operate at 0.89 MHz. Therefore, registers R0 and R1 should be cleared.

Addresses FFDA to FFDD control the memory size setup of the SAM chip. These addresses select 16K or 64K of RAM in the Color Computer 2. This memory size option should be changed only by the reset routine in BASIC. Changes at other times may erase the contents of RAM. Register TY, at addresses FFDE to FFDF, controls the map type. If this bit is cleared, the ROMs occupy the upper 32K of the Memory Map with the lower 32K of address space available for RAM. If this bit is set, the ROMs "disappear" from (are switched out of) the map and all 64K (less the top 256) locations are available for RAM. Caution must be exercised in setting this bit. The control program must be in low memory and must not return to ROM for obvious reasons.

The final series of addresses in the Color Computer 2 are the interrupt and reset vectors. Whenever the CPU receives a reset or interrupt, it will load the address at the indicated location and begin execution at the new location. This dual set of addresses is listed because the vectors are mapped into the top of the BASIC ROM (BFF2-BFFF). For instance, if the CPU reads FFFF it will actually read the contents of BFFF.

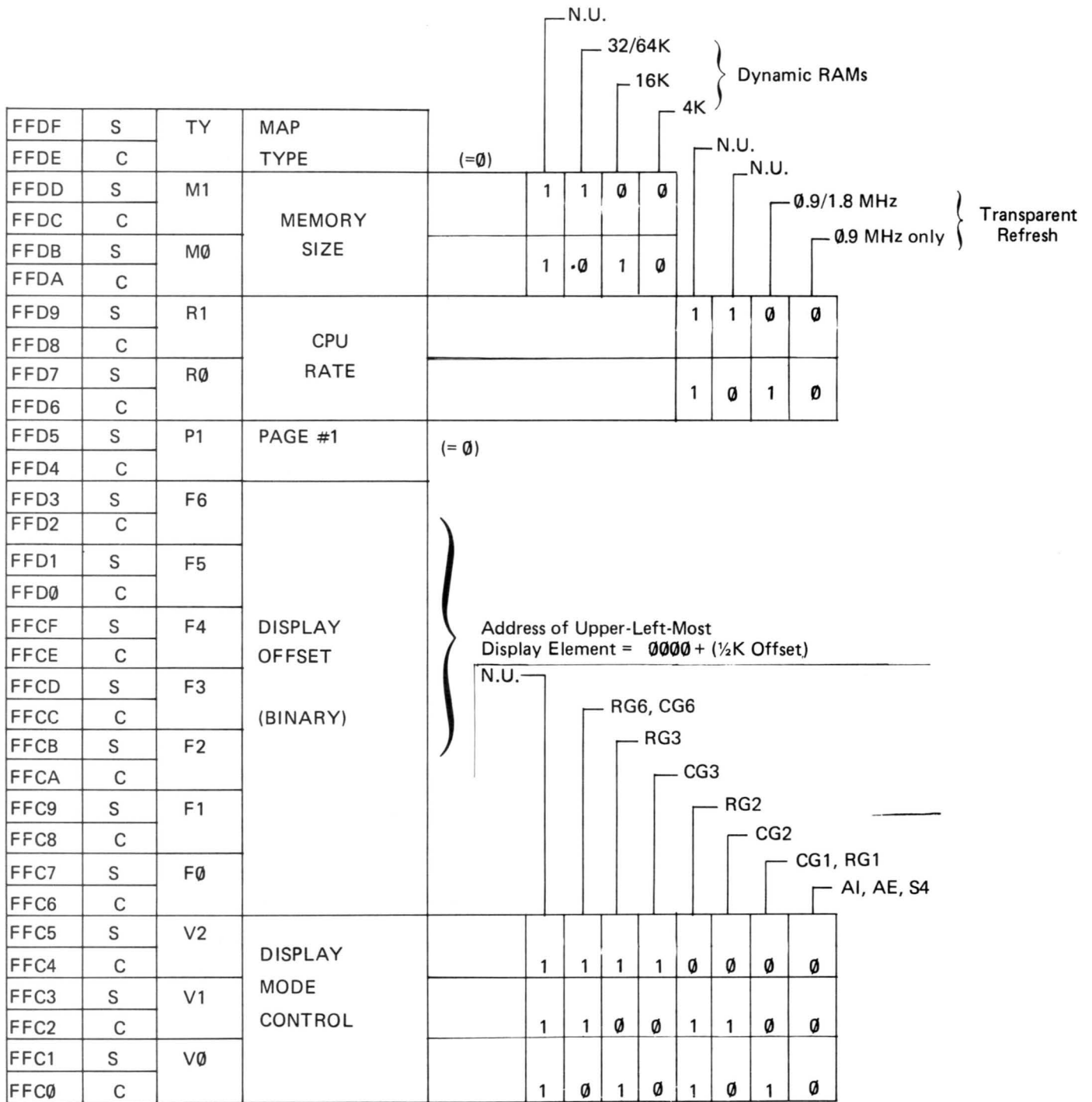


Figure 1-3. Color Computer Memory Map (page 4)

FFFF OR BFFF		RESET VECTOR LSB
FFFE OR BFFE		RESET VECTOR MSB
FFFD OR BFFD		NMI VECTOR LSB
FFFC OR BFFC		NMI VECTOR MSB
FFFB OR BFFB		SWI1 VECTOR LSB
FFFA OR BFFA		SWI1 VECTOR MSB
FFF9 OR BFF9		IRQ VECTOR LSB
FFF8 OR BFF8		IRQ VECTOR MSB
FFF7 OR BFF7		FIRQ VECTOR LSB
FFF6 OR BFF6		FIRQ VECTOR MSB
FFF5 OR BFF5		SWI2 VECTOR LSB
FFF4 OR BFF4		SWI2 VECTOR MSB
FFF3 OR BFF3		SWI3 VECTOR LSB
FFF2 OR BFF2		SWI3 VECTOR MSB
FFF1 OR BFF1		RESERVED
FFF0 OR BFF0		RESERVED
FFEF – FFE0		NOT USED

Figure 1-3. Color Computer Memory Map (page 5)

2/ Specifications

2.1 Physical

1. Size: Width - 14.75" (37.5 cm)
 Depth - 10.35" (26.3 cm)
 Height - 3.55" (9.0 cm)
2. Weight: 4.75 lbs (2.15 kg)

2.2 Power: 110 Vac 60 Hz, 0.2 Amps RMS typical

2.3 Technical

1. Microprocessor: Type - Motorola MC6809E
 Clock Speed - 0.896 MHz
2. Memory: RAM: 16K Expandable to 64K
 ROM: 8K Standard Basic (26-3026)
 8K Extended Basic (26-3027),
 total of 16K Basic ROM
 Up to 16K additional ROM (in
 cartridge)
3. Keyboard: 53-key microprocessor scanned
 matrix
4. Video: RF Modulated output, channel 3
 or 4
 32 characters by 16 rows
 Up to 8 colors
 Graphic resolution up to 256 x
 192 pixels
5. Sound: Sources: Six-bit DAC
 Single bit
 Input from cassette recorder
 Input from cartridge connector
6. Cassette: 1500 Baud Frequency Shift Keying
7. RS232C: 3-wire interface under software
 control

2.3 Technical (con't)

8. Joystick: 2 connectors, 2 axes each, DC voltage input of 0.25 to 4.75 volts in 64 steps
9. Expansion: 40-pin cartridge connector containing all major CPU signals necessary for interface.

3/ Disassembly/Assembly

3.1 Disassembly

Disassembly of the Color Computer 2 is easily accomplished using only a Phillips screwdriver and a pair of long-nose pliers. Mounting screws for attaching the two halves of the housing are accessible from the underside of the unit. To disassemble the computer, follow the steps noted below.

1. Disconnect power and remove signal cables from the unit.
2. Remove cartridge from slot (if applicable).
3. Turn the unit over and place it on a soft surface to prevent damage to the keyboard or top cover.
4. Loosen and remove the six mounting screws which attach the base to the top cover. These screws may not easily come out until the unit is turned over.
5. Turn the unit rightside up. Carefully lift the top cover from the bottom cover and set it aside. Exercise care to prevent damage to the flat cable between the keyboard assembly and printed circuit board.
6. Disconnect from the PCB the cable which is attached to the keyboard.
7. Tag the three wires from the transformer assembly at the left rear of the unit which are attached to the printed circuit board. Remove the wires using a pair of long-nose pliers.
8. Remove three screws which attach the PCB to the bottom case cover. If it is necessary to remove the shield from the PCB, do so by removing the eight clips which attach it to the PCB.
9. Remove the transformer from the unit by removing the two attaching screws. Replacement of the pigtail fuse assembly should be accomplished using the same type and rating fuse.

3.2 Assembly

Assemble the Color Computer 2 in the reverse order of disassembly. The PCB shield is attached to the PCB with metal clips. Five clips ground the shield to the PCB. There are three clips which provide RFI shield ground for the keyboard. These shields must be in place to provide proper RFI shielding. See Figure 3-1 for clip location.

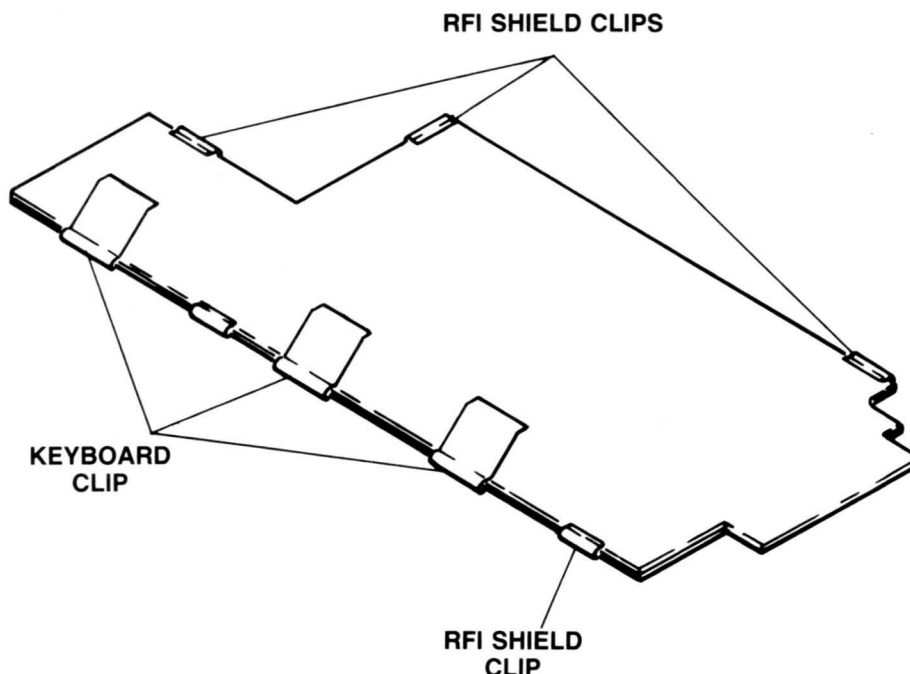


Figure 3-1. Shield Clip Location

When reattaching the wires from the transformer to the PCB, ensure that the wires are installed in the slots of the plastic shield between the transformer and the PCB. This will prevent any damage to the wires or insulation when reconnecting the top and bottom covers. Two different types of screws are used to mount the PCB and the top and bottom case parts. Ensure that the correct type is used when reassembling.

The strain relief on the power cord consists of a wrap around the plastic bosses at the rear of the unit. Ensure that the power cord is properly routed to afford strain relief to the transformer connections (see Figure 3-2).

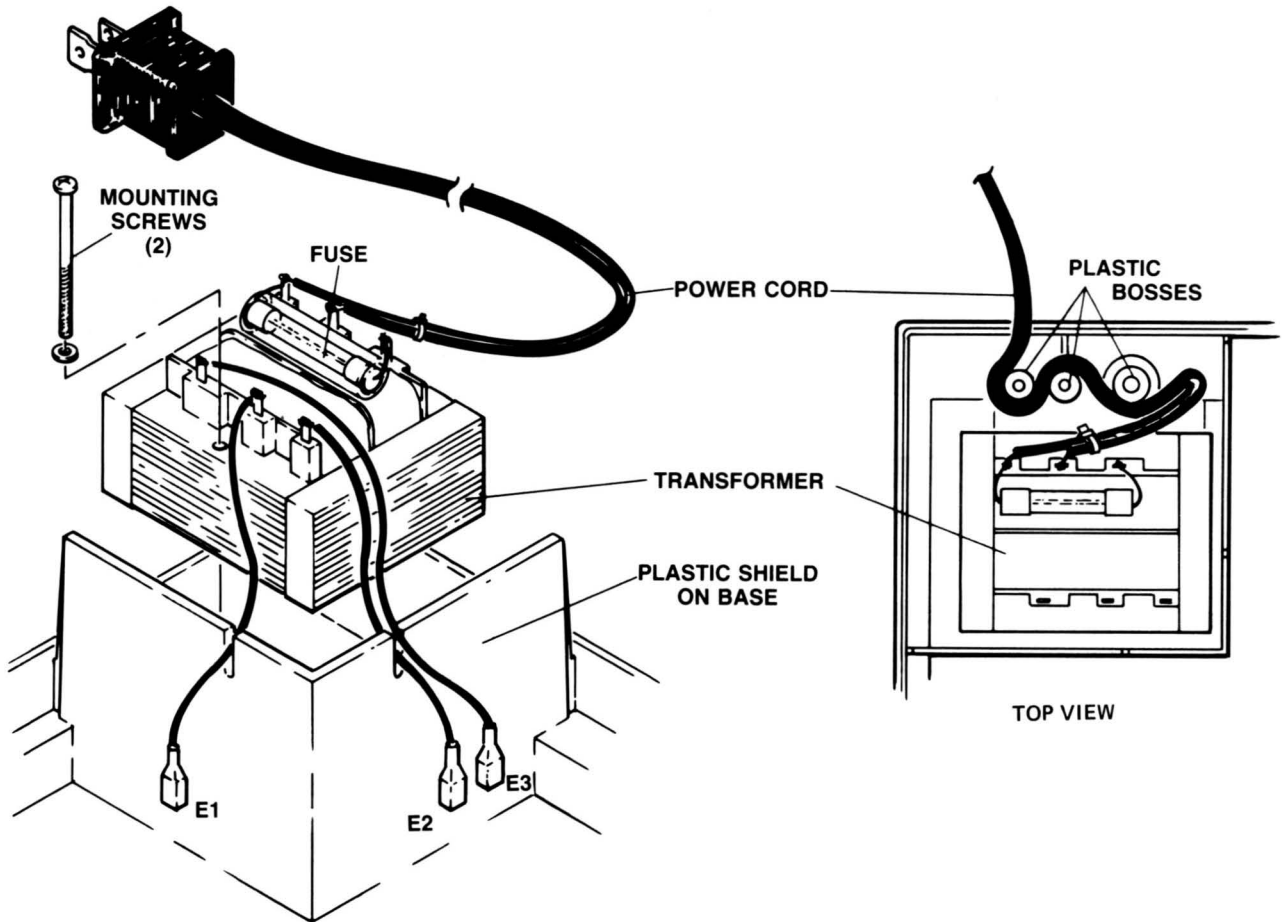


Figure 3-2. Power Cord Strain Relief

3.3 64K Upgrade Instructions

To upgrade a 16K Memory Unit to a 64K Memory Unit, the following procedure must be followed:

1. Disassemble the unit as noted in Paragraph 3.1 to allow access to the RAM ICs, U14 through U21. Remove these eight ICs from the PCB.
2. Install the 64K x 1 ICs (MC6665, Radio Shack Part No. 8040665 -- total of 8 ICs) in place of the ones removed in U14 through U21. Ensure that chips are installed as noted with notch in the proper location.
3. Solder a jumper wire at terminal W1 (see Sheet 2 of schematic, LH side, above U2).
4. Run appropriate diagnostic program to verify proper operation of the new memory chips. Assemble the unit in the reverse order of disassembly.

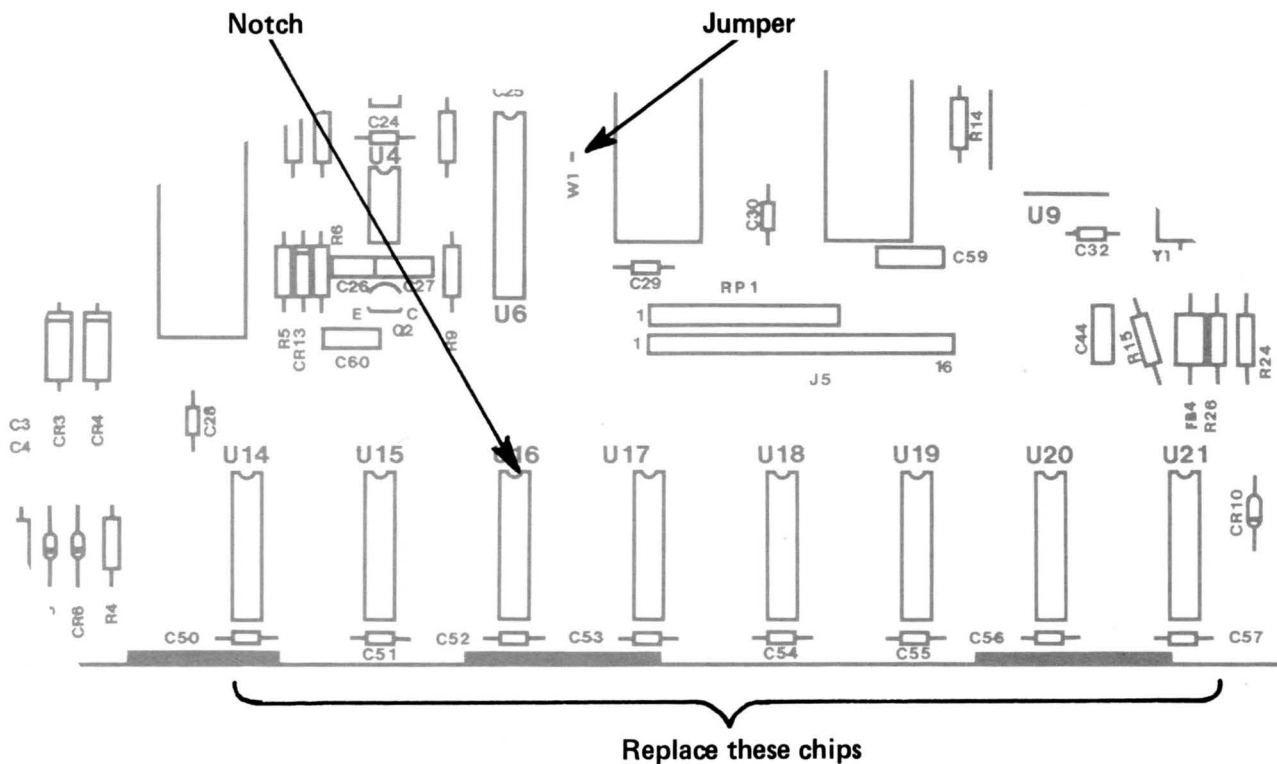


Figure 3-3. 64K Upgrade

4/ Theory Of Operation

4.1 MC6809E CPU (U23)

The heart of any computer system is the Central Processing Unit, or CPU. In the Color Computer 2, as well as most modern microcomputers, the CPU is a single Large Scale Integrated Circuit (LSI). The CPU gathers instructions and data from memory, interprets and executes the instructions, and stores the results of the data operations into memory. Additionally, the CPU stores data to and retrieves data from various input/output (I/O) devices.

The Motorola MC6809E Microprocessor is perhaps the most powerful 8-bit microprocessor available today. There are several ways to determine the "size" of a microprocessor (whether it is 8-bit, 16-bit, 32-bit, or whatever). One way involves the number of data interconnecting lines the processor possesses. Another is the size of the internal registers and the size of the mathematical and logical operations supported by the processor. Although the MC6809E has an 8-bit data bus, internally it contains four 16-bit registers and two additional 8-bit registers which may be linked together to form another 16-bit register. The MC6809E also supports some 16-bit mathematical and logical operations. Therefore, although it is technically an 8-bit processor, it has some of the power of the 16-bit machines.

Figure 4-1 is a "programmer's model" of the MC6809E CPU. Following is a brief description of the registers and their respective functions. Additional information may be obtained from the MC6809E data sheet.

The Program Counter (PC) register is a 16-bit register. It is the job of the program counter to keep track of which instruction is next. Instructions for the MC6809E processor are from one to five bytes in length. As each instruction is fetched, its specific bit pattern allows internal logic in the CPU to determine the length for that instruction. The PC is then immediately updated, even before the remainder of a multi-byte instruction is executed.

The Hardware Stack Pointer (S) is another 16-bit register. Its job is to "point" to a specific area of memory that is set aside by the systems programmer for the specific use of the CPU. From time to time, the CPU finds it necessary to "remember" more than it has internal capacity to store. In these cases, it "pushes the data onto the stack". Later, when

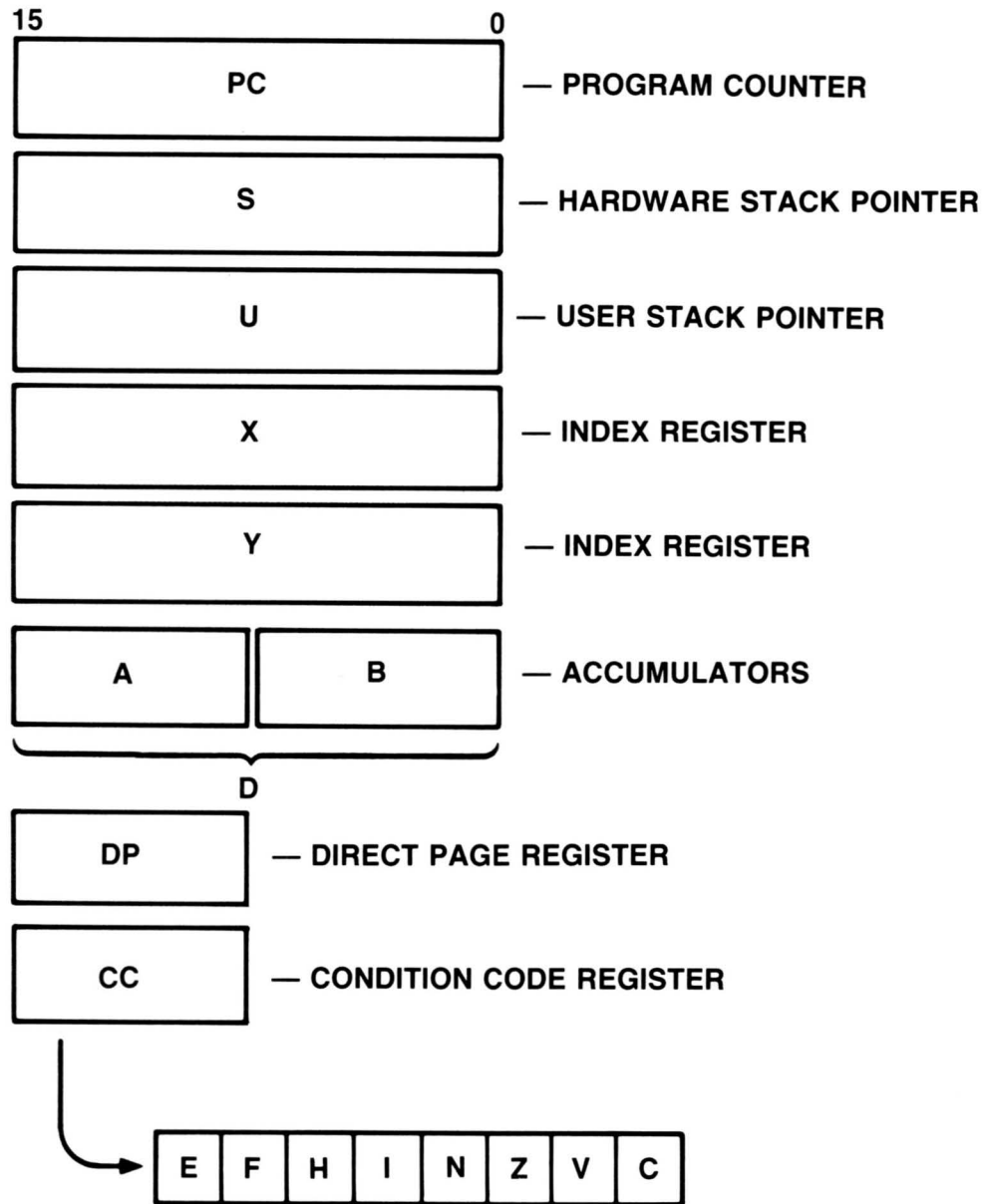


Figure 4-1. MC6809E Programming Model

it is ready to retrieve the information, it "pulls the data from the stack". One example of the use of the stack is the execution of a subroutine. Recall that the program counter has already updated itself to contain the address of the next instruction. The Branch to Subroutine (BSR) instruction will alter the contents of the PC. However, after the execution of the subroutine, the CPU is required to return to the next instruction following the BSR. By storing the return address on the stack prior to the altering of the PC, the CPU is able to return to the main program flow upon encountering the Return from Subroutine (RTS) instruction.

The S register is also available to the programmer for temporary storage of data via the Push and Pull instructions. In addition, there is a dedicated User Stack Pointer called the U register. This register acts the same as the S as far as the pushing and pulling of data by the programmer, but is not used by the CPU for any of its hardware-related storage requirements.

Two additional 16-bit registers are the X and Y index registers. These registers can be used to mark specific points in memory, such as the beginning of a data table, much the same way a book mark can mark the page that is the beginning of the Logarithmic Tables in the back of a math book. Data can then be retrieved from (or stored into) the table by reference to the pointer used.

The MC6809E CPU (U23) contains two 8-bit accumulators, A and B. The accumulators are the main workhorse registers of a CPU, and are the registers upon which most of the mathematical and logical operations are performed. In the MC6809E, the two accumulators can be combined to form one double (D) accumulator, which is then a 16-bit register.

Another 8-bit register is the Direct Page (DP) register. When memory is accessed in the Direct Mode, the most significant eight bits of the address will be taken from the DP register.

The Condition Code Register (CC) is best thought of as eight individual bits, rather than an 8-bit group. Six of these individual bits are set or cleared as the result of internal processor operations. The other two bits are used by the programmer to mask out two of the three possible interrupt conditions. The bits are:

- C - the carry bit. This bit is set when the result of an operation is greater than the capacity of the register to store it.
- V - the overflow bit. Similar to the C bit, but it is set when the result is greater than the capacity of the register to store it in "two's complement" notation.
- Z - the zero bit. This bit is set when the result of an operation is equal to zero.
- N - the negative bit. The negative bit is set when the most significant bit (sign bit) of an operation is set.
- I - the IRQ mask bit. The IRQ mask bit is set by the programmer when it is desired to ignore IRQ interrupts.
- H - the half-carry bit. This bit is used by the processor in decimal arithmetic operations.
- F - the FIRQ mask bit. Is set by the programmer when it is desired to ignore FIRQ interrupts.
- E - the "Entire" flag. This bit is set by NMI and IRQ interrupts, indicating that all registers were preserved. It is cleared by FIRQ interrupts, indicating that only PC and CC were preserved.

Figure 4-2 shows the pinouts of U23, the MC6809E CPU. Note that there are sixteen address lines (A0 through A15). These address lines are output from the CPU and are used to select one of 65,536 different memory locations. The memory and I/O devices must be wired to accept the correct combination of highs and lows on the address lines. The order of the devices and how they respond to the different lines is called the memory map.

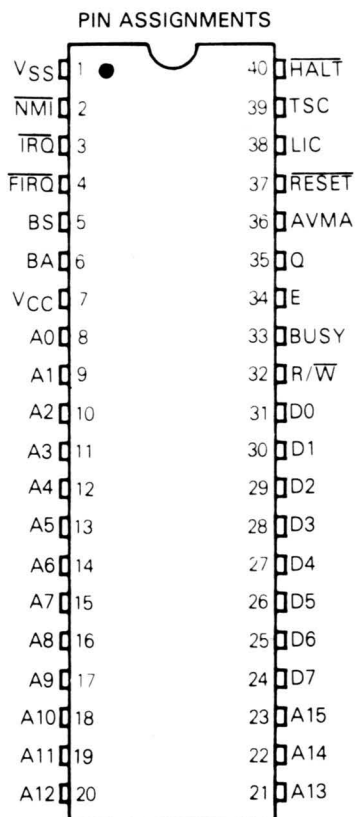


Figure 4-2. MC6809E Pin Assignments

The CPU has eight data lines (D0-D7). These data lines are bidirectional and are used by the processor to both route data to and retrieve data from memory or I/O devices.

The remaining lines on the CPU are used for control functions, both input control and output control. Of course, the Vcc pin is the power input line to the CPU and the GND line is the return reference for both power and signal. The E and Q lines are the clock inputs to the CPU. These clock signals must be present for the CPU to function. In the Color Computer 2, these signals are provided by the SAM chip and are 50% duty cycle clocks at a frequency of 0.89 MHz. As shown in Figure 4-3, Q is a quadrature clock signal which leads E by 90 degrees.

The CPU contains a number of inputs which serve to initiate specific sequences of events. The ones used by the Color Computer 2 are:

- RESET* - Used on power up and to reinitialize the CPU.
- HALT* - Stops the program flow after the completion of current instruction. Execution will continue after HALT is removed.
- NMI* - Non-Maskable Interrupt. Always causes the CPU to "interrupt" its normal program flow and execute a special "Interrupt Handler" routine.
- IRQ* - Interrupt Request. Similar to NMI but may be masked (defeated) by setting the I bit in the CC register.
- FIRQ* - Fast Interrupt Request. Similar to IRQ, but masked by the F bit. It is faster because it doesn't preserve all registers (as do the other interrupts).

Upon receipt of the RESET signal, or any of the interrupts (if enabled), the CPU will get the appropriate subroutine address from the Vector Table (see the map in the Section 1 - System Description). For the interrupt routines, registers are preserved on the Stack to be restored upon receipt of the RTI (Return from Interrupt) instruction.

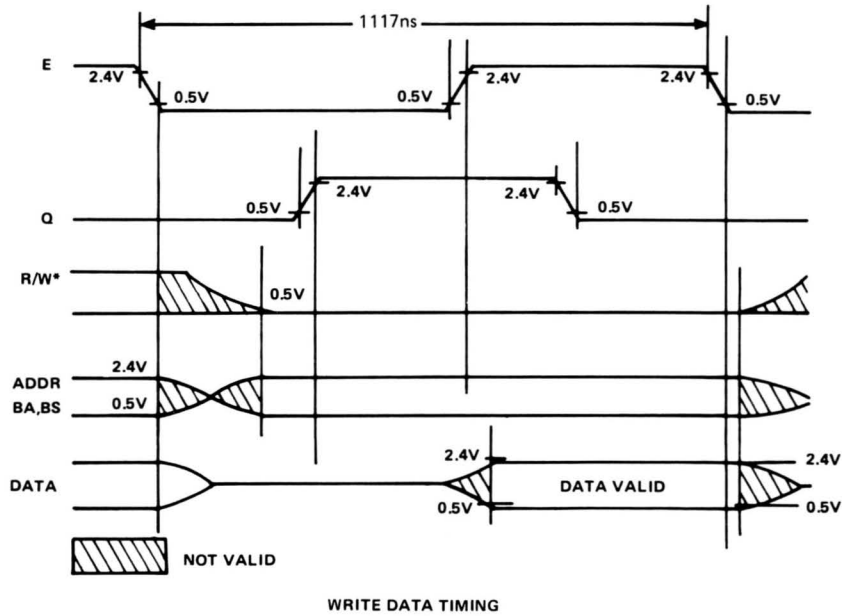
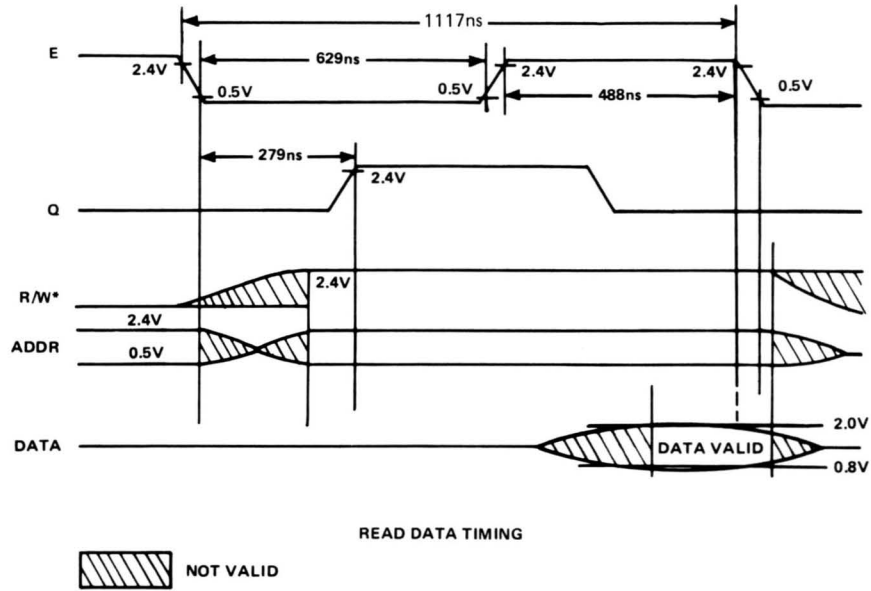


Figure 4-3. MC6809E Read/Write Timing at 0.895 MHz

Other control lines used in the Color Computer 2 are TSC (Three-state Control) and the R/W (Read/Write) line. The TSC line is an input intended for use in a multiprocessor or DMA environment and will cause the Address and Data lines to go into a three-state condition if high. Since the Color Computer 2 does not require multiprocessing, this line is permanently grounded. The R/W line is an output used by the CPU to inform the external memory and devices whether the data transfer is from the CPU (a write) or to the CPU (a read). Standard MC6809E Read/Write timing is shown in Figure 4-4. However, in the Color Computer 2, this timing is modified by the SAM chip so that the addresses are presented to the memory only during the active E time. This presents no problem as long as the memory is sufficiently fast.

4.2 Reset Circuit

The reset circuit is comprised of R20, R22, C48, C58, CR10, CR11, and CR12. This circuit provides pulses of two different time durations for power-up or reset. R22 and C58 provide a pulse of approximately 10 milliseconds which is used to reset the SAM chip (U22). The reset input to U22 is also used as an output, so diode CR10 is used to isolate the output signal from pin 7 of U22 from the rest of the reset circuitry.

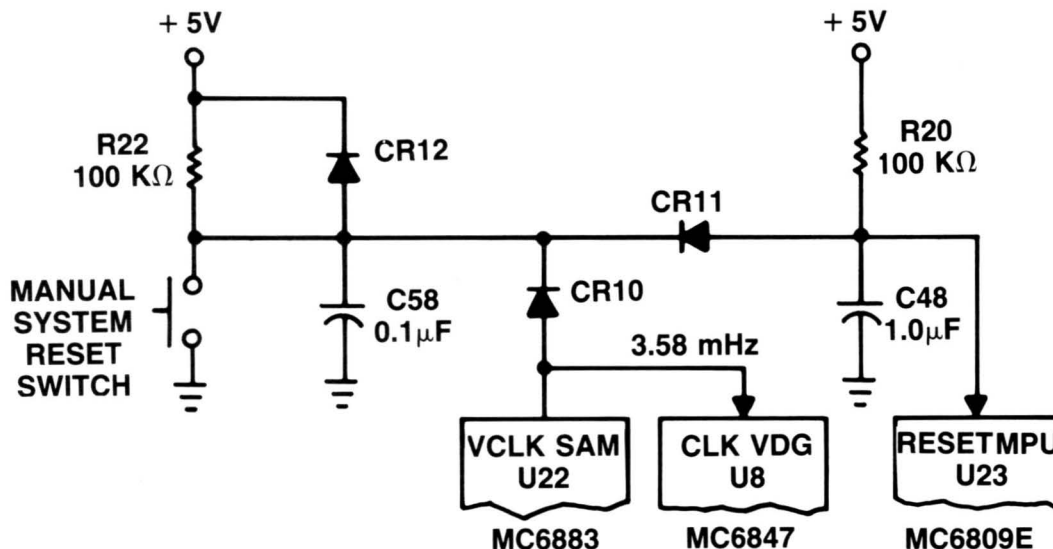


Figure 4-4. MC6883 Reset Circuitry

The second reset pulse is the master system reset signal. This is provided to the CPU and both PIA's (U2 and U7). C48 and R20 provide this master reset pulse of approximately 100 milliseconds. CR11 is used to isolate the two R/C circuits. CR12 becomes forward biased upon power down and is used to discharge capacitors C48 and C58, rather than them having to discharge slowly through their normal charging resistors (R20 and R22).

4.3 Memory

The Color Computer 2 uses Dynamic Random Access Memories (DRAMs, U14 thru U21). Each memory chip is capable of storing 16,384 bits (16K), any one of which may be accessed at any given time. Since the CPU needs to access eight data bits at a time, eight DRAMs are used. Therefore, the memory array is said to be 16K x 8. The DRAMs in the Color Computer 2 operate from a single +5 volt supply.

In order to address 16K locations in each chip, 14 address lines are required. However, since the DRAM package has only 16 pins, the addresses are multiplexed into two groups of 7, called row address and column address. See Figure 4-5. The row address is presented first, and the DRAM is informed that this is the row address by the presence of RAS* (row address strobe) and the absence of CAS* (column address strobe). After the DRAM has latched the least significant seven addresses (the row addresses), the column addresses are presented, along with CAS*. If the present cycle is a read cycle, WE* (Write Enable) is held high, and the data is retrieved from the appropriate cell and presented at the output pin some time later. The actual time depends on the access time of the DRAM. During a write cycle, the data and WE signal are active prior to CAS and are latched in at CAS time. Figure 4-6 shows the read and write timing cycles for DRAM.

Dynamic memory is called dynamic because it requires refreshing at periodic intervals in order to remember. Refresh is accomplished by providing the DRAMs with the RAS signal and an address count. The address count must toggle through all 128 possibilities in 2 milliseconds or less. (If you don't remind the DRAM of what it knew every 2 milliseconds it will forget, which is not very good for memories.)

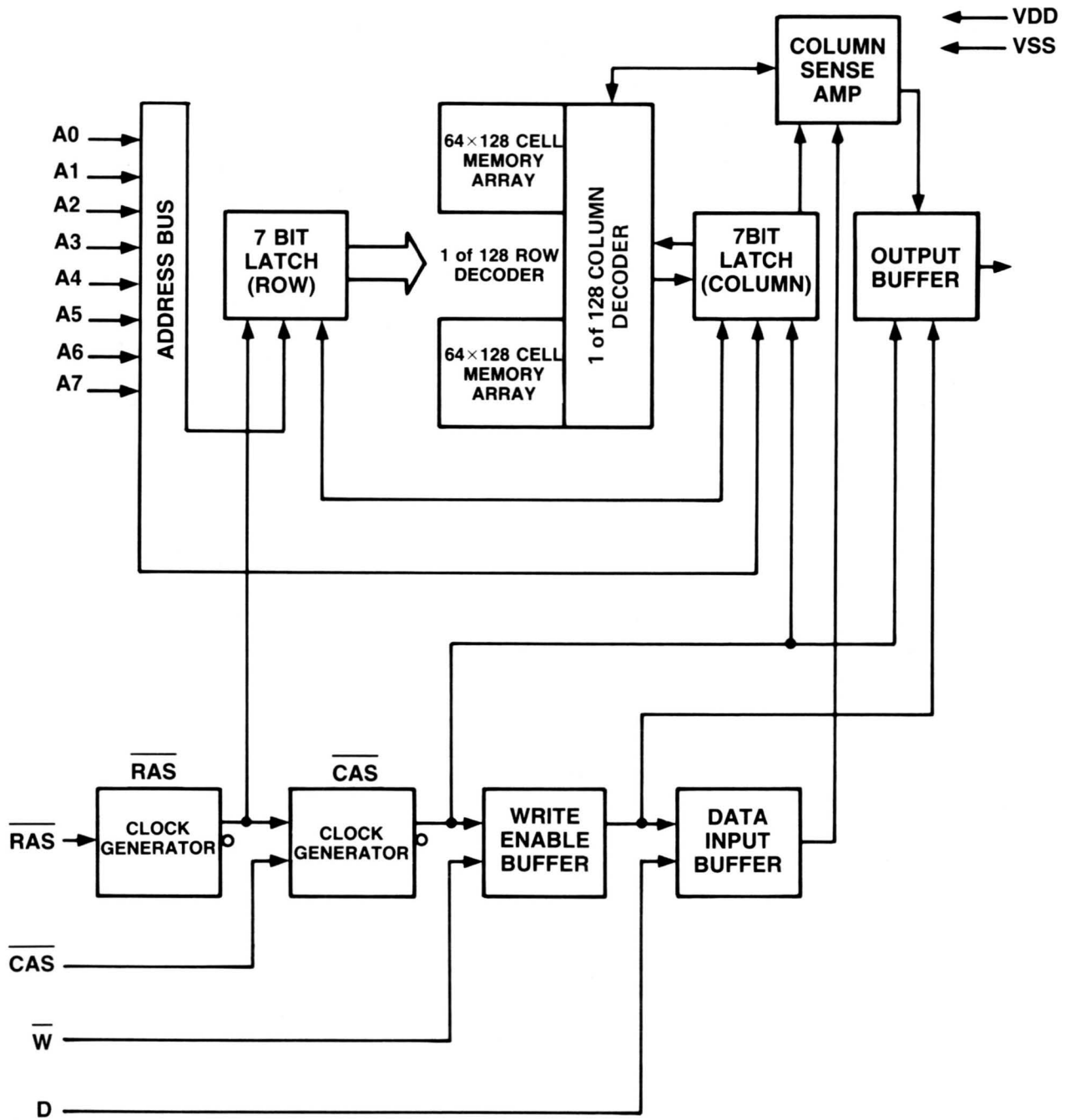


Figure 4-5. DRAM Block Diagram

By now, it should be apparent that controlling DRAMs is a fairly complex task. In the Color Computer 2, it is done by the MC6883 Synchronous Address Multiplexer (SAM, U22) chip. In addition to address multiplexing, RAS and CAS generation, WE timing control, and refresh generation, the SAM performs other tasks. It contains the Master Oscillator, the frequency of which is controlled by a 14.31818 MHz crystal (Y1). The Master Oscillator is divided by four to give a 3.579545 MHz color reference signal to the Video Display Generator (VDG, U8) chip and to the chroma/RF modulator (U9). This signal is then divided by four again to produce the 0.89 MHz E and Q signals which are required by the processor (U23).

The SAM chip (U22) also controls access to the memory, granting access to the processor during the high time of E and access to the VDG chip during the low time of E. During each access, whether by the CPU or the VDG, the SAM must provide appropriately synchronized RAS and CAS signals, as well as the corresponding address signals, to the DRAMs. Note that the DRAM access time must be twice as fast as that required by the CPU alone in order to be able to respond to VDG accesses. The Color Computer 2 uses 200 nanosecond access DRAMs.

In order for the SAM chip to provide the appropriate addresses to the DRAMs, all 16 CPU address lines are input to the SAM. It then multiplexes these into low order and high order addresses (Z0 through Z7) which it sends to the DRAMs along with RAS and CAS. During a VDG access, the SAM must also "know" the current display address put out by the VDG. In order to accomplish this with a minimum pin count on the SAM, the dividing chain internal to the VDG is duplicated in the SAM. The count is reset upon receipt of FS* from the VDG and is advanced by subsequent occurrences of DA0. It is necessary for the SAM to duplicate the exact display mode of the VDG in order for the addresses to come out right. For this reason, the SAM contains some programmable registers (see the Memory Map, Section I).

The final function of the SAM is to provide address decoding and device selection for the computer. Figure 4-7 shows how the S0, S1, and S2 lines are connected to U11, a 74LS138, in order to provide appropriate signals to enable RAM reading, ROM selection, PIA selection, and various cartridge selection signals. Due to the nature of the ROMs and in order to prevent data bus contention, the ROMs are enabled only during the E portion of a read cycle. This is accomplished by the 74LS02 NOR gate, U10.

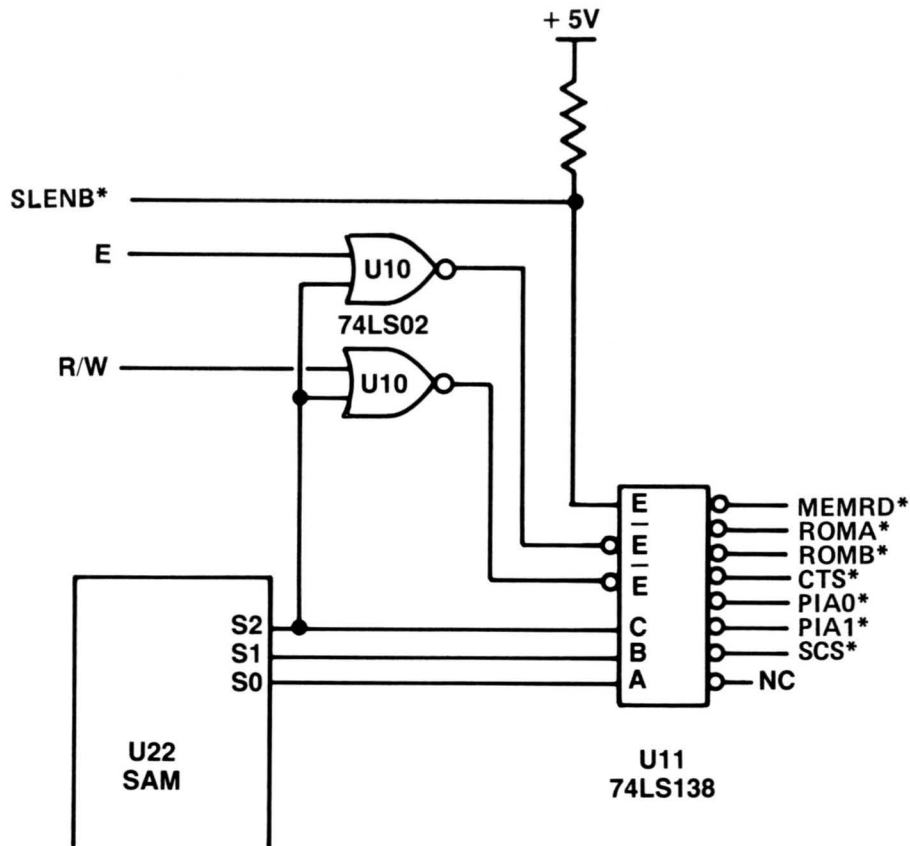


Figure 4-7. Color Computer 2 Address Decoding

Additional details of the SAM chip may be obtained by referring to the MC6883 data sheet.

4.4 Video Generation Circuitry (U8)

A computer without some method of providing output to the user would not be of much value. In the Color Computer 2, the main method of providing output is via the RF modulator (U9) which provides a composite chroma signal into a standard color (or black and white) television on channel 3 or 4. However, most of the modulator's job is to translate computer-like signals into signals the television can use. The portion of the Color Computer 2 that actually generates the computer-like video signals is U8, the MC6847 Video Display Generator, or VDG chip.

A television set displays images by sweeping an electron beam across the face of the screen very rapidly from left to right, and somewhat more slowly from top to bottom. The electron beam strikes the phosphorescent surface on the screen, causing it to glow. If the intensity of the beam is reduced, the screen is less bright. If the intensity is increased, the screen glows brighter. The screen is actually coated with three different color phosphors (red, blue, and green) and, by combining the intensities of each, different colors are produced.

The VDG chip produces the signal which eventually controls the intensity of the sweeping beam. This is the "Y" signal which also contains vertical and horizontal synchronizing pulses to ensure that the television begins each line or frame at the correct time. Additional signals from the VDG chip which serve to determine the color displayed on the screen are Phase A, Phase B, and CHB. Without these three signals, the television would produce only a black and white picture.

As stated before, the Y signal determines the intensity of the light produced by the television. In order to produce a desired character, the Y signal must turn the beam on only at the desired times. As the beam sweeps from left to right for the first time in each frame, the top portion of each character in the first row is displayed. During the next sweep from left to right, the second portion of each character in the row is displayed, and so on. The beam sweeps an entire frame of 192 lines in one sixtieth of a second before beginning over. The high repetition rate, as well as the persistency of the phosphor, causes the human eye to perceive the screen display as a whole.

In order for the Y signal to produce the same screen on successive frames, it must get the information from somewhere. In the Color Computer 2 the information is stored in the DRAM.

The VDG has an address generation scheme (which is duplicated in the SAM) that enables it to determine where in memory the data is stored for a particular area (character cell) of the screen. During the low portion of the E cycle, the CPU is not using the bus, so the VDG (actually the SAM) puts the address for the next character on the address bus. The data is then latched into U5, a 74LS273, by the rising edge of the RAS* signal. This ensures that the data will be stable at the VDG data inputs, even if the CPU has started its next memory access by the time the VDG is ready to receive the data.

In the alphanumeric mode, the data retrieved from the DRAMs by the VDG is in the form of ASCII character codes. This data is then used by the VDG's internal character generator, along with the "line count" information, which is kept track of internally, to decide which dots to display. The dot data is loaded into two internal shift registers which are clocked on alternate polarities of the incoming 3.58 MHz clock. The outputs of these shift registers, along with the vertical and horizontal sync signals, become the Y signal. In the graphics modes of operation, the data retrieved by the VDG contains actual pixel and color information, and is used to generate the Phase A and Phase B signals in addition to the Y signal. The CHB signal is a chroma reference signal and is used to compensate for temperature drift and other anomalies.

The GM0, GM1, GM2, A/S, A/G, INT, and CSS lines are used to determine the display mode of the VDG. These are controlled by one of the output ports on PIA U2. For more information, refer to the memory map and the VDG data sheet. The HS* output of U8, the MC6847, occurs during horizontal sync time and is used as one possible source of interrupt to PIA U7. The FS* output occurs during vertical sync time, and is used as another possible (60 Hz) interrupt source to PIA U7. In addition, the FS* output is tied to the MS* input of the VDG, disabling the address bus after the active display time and allowing the SAM chip to supply refreshing for the DRAMs.

The Y, Phase A, Phase B, and CHB signals from the VDG, as well as the Sound signal and the 3.58 MHz chroma clock, are sent to the RF Modulator (U9). The heart of the modulator is the MC1372 integrated circuit which takes these inputs (except for the sound) and modulates an RF carrier with them. The sound input is used to frequency modulate a 4.5 MHz sound carrier oscillator contained in the modulator. This modulated sound signal then enters the MC1372 with the chroma information, thus modulating the RF carrier.

The modulator should be considered a sealed unit and, if defective, replaced as a unit. No attempt should be made to repair the modulator.

4.5 Artifacts

The Motorola MC6847/MC1372 component combination is designed to produce several modes of graphics operation. The highest resolution mode (192 by 256 pixels) is designed to be a black and white mode. In this mode, the MC6847/MC1372 component combination does not produce the color burst signal necessary to make the television "see" color.

Artifacts is a phenomenon whereby a color television set can reproduce color from essentially a black and white signal, if the period of the signal is less than that of the color oscillator signal. However, for the television set to do this, it must receive the color burst signal.

The artifacts circuit in the Color Computer 2 forces the Motorola MC1372 (U9) to generate the burst signal in the high resolution mode, contrary to the original design of the component. In addition, the phase of burst generated is controlled to a limited degree in order to produce a desired set of hues, or tints, from the black and white signal which is now being interpreted as color.

The Color Burst signal is approximately eight cycles of 3.58 MHz riding on the back porch of the horizontal sync pedestal. In the television, this signal is used to synchronize the set's internal chroma oscillator in both frequency and phase to the transmitted signal, so that the proper colors are demodulated. The phase of the chroma signals with reference to this signal determines the tints of the colors on the screen. Additionally, the absence of this burst signal triggers a "color killer" circuit in the TV set, which shuts off the chroma bandpass amplifiers in the set. The purpose of this is so that old black and white programs will be seen without colored "snow", which is random noise amplified by the chroma bandpass amplifiers. With no burst received by the TV, the color killer should insure that the set produces a black and white picture.

The colors produced in the artifacts mode depend upon the phase of the signal that is being interpreted by the TV as burst. It is possible to force the MC6847 (U8) into one of the color modes during horizontal sync time and thereby cause it to send the signal to the MC1372 which makes it generate burst, returning to the correct mode before the display is active. However, if this approach is used, the burst generated by the MC1372 will cause the TV to reproduce the "free colors" as magenta and green, which is not acceptable.

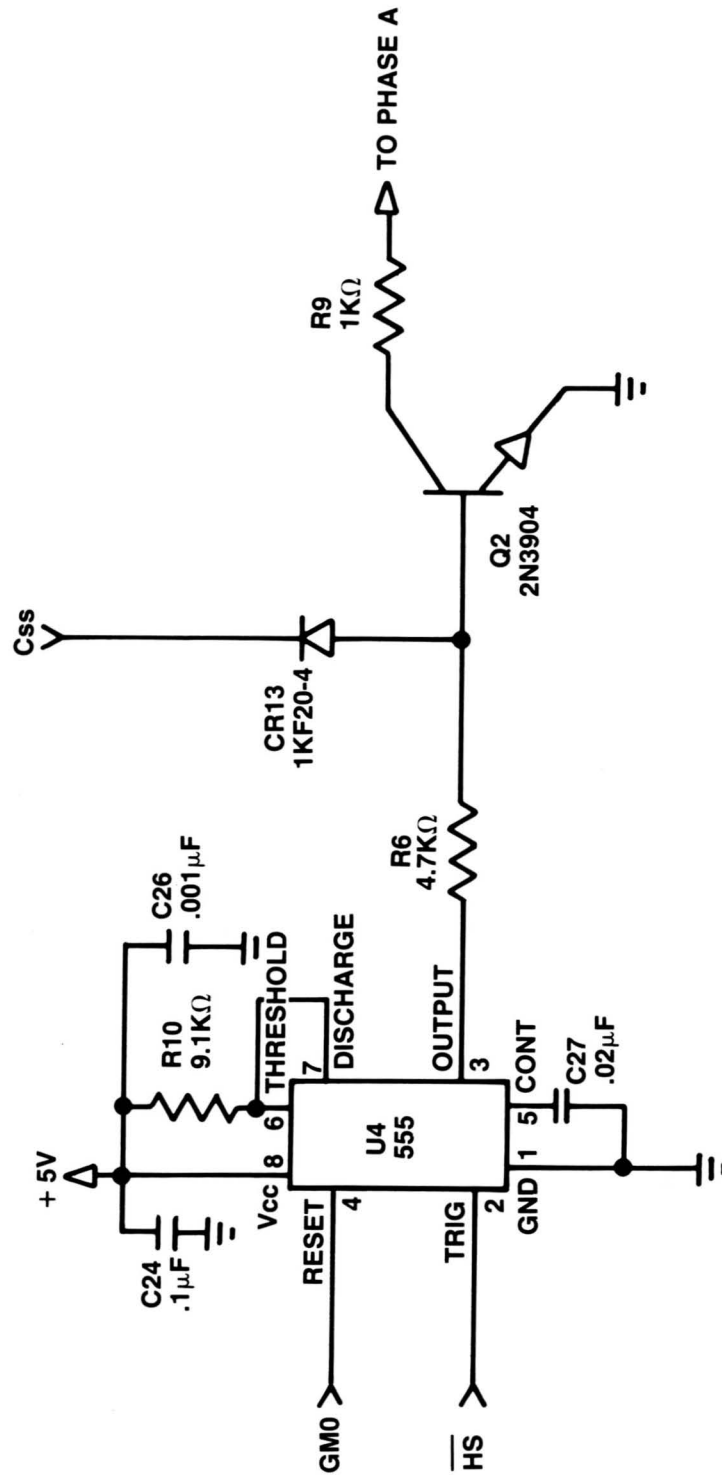


Figure 4-8. Color Computer 2 Artifacting Circuitry

The apparent problem at this point is how to get the MC1372 to produce a phase of the burst signal which will produce red and blue. The MC1372 has two "color phase" inputs, Phase A and Phase B. Essentially, these are inputs to balanced modulators, each of which is referenced to a Chroma Bias signal. The other input to each balanced modulator is a phase of the 3.58 MHz clock, with Phase A lagging Phase B by about 100 degrees. This allows amplitude changes on Phase A and Phase B inputs to determine the tint of the composite chroma output. The way the MC6847 causes the MC1372 to generate burst is by unbalancing the Phase B input in a negative direction during back porch time. However, unbalancing Phase A in a negative direction produces the desired colors.

It is important that the unbalancing of this signal be accomplished during back porch time and that the Phase A signal be allowed to return to its normal (steady) level before the active video time for the scan. The circuit in Figure 4-8 accomplishes this. If GM0 is high, then the horizontal sync pulse is allowed to trigger the one-shot. This turns on the transistor (Q2) for a duration of about 10 microseconds, provided the diode (CR13) is reverse biased (which it will be if CSS is high). When the transistor conducts, it will unbalance the Phase A input to the MC1372 in the negative direction, causing it to generate burst. Note that both GM0 and CSS must be high in order to force any change in the input signal to Phase A. This occurs when in the high res mode. At all other times, the transistor is off, its leakage is negligible, and hence R9 is essentially connected to nothing.

4.6 PIAs (U2 and U7)

The Color Computer 2 uses two Peripheral Interface Adapters (PIAs). These devices provide a universal interface to the MC6809E CPU. They support all of the I/O functions in the Color Computer 2.

The functional configuration of the PIA is programmed by the CPU during the reset routine. Each of the peripheral data lines may be programmed to act as an input or output, and each of four control/interrupt lines may be programmed for one of several control modes. Figure 4-9 shows a block diagram of a PIA.

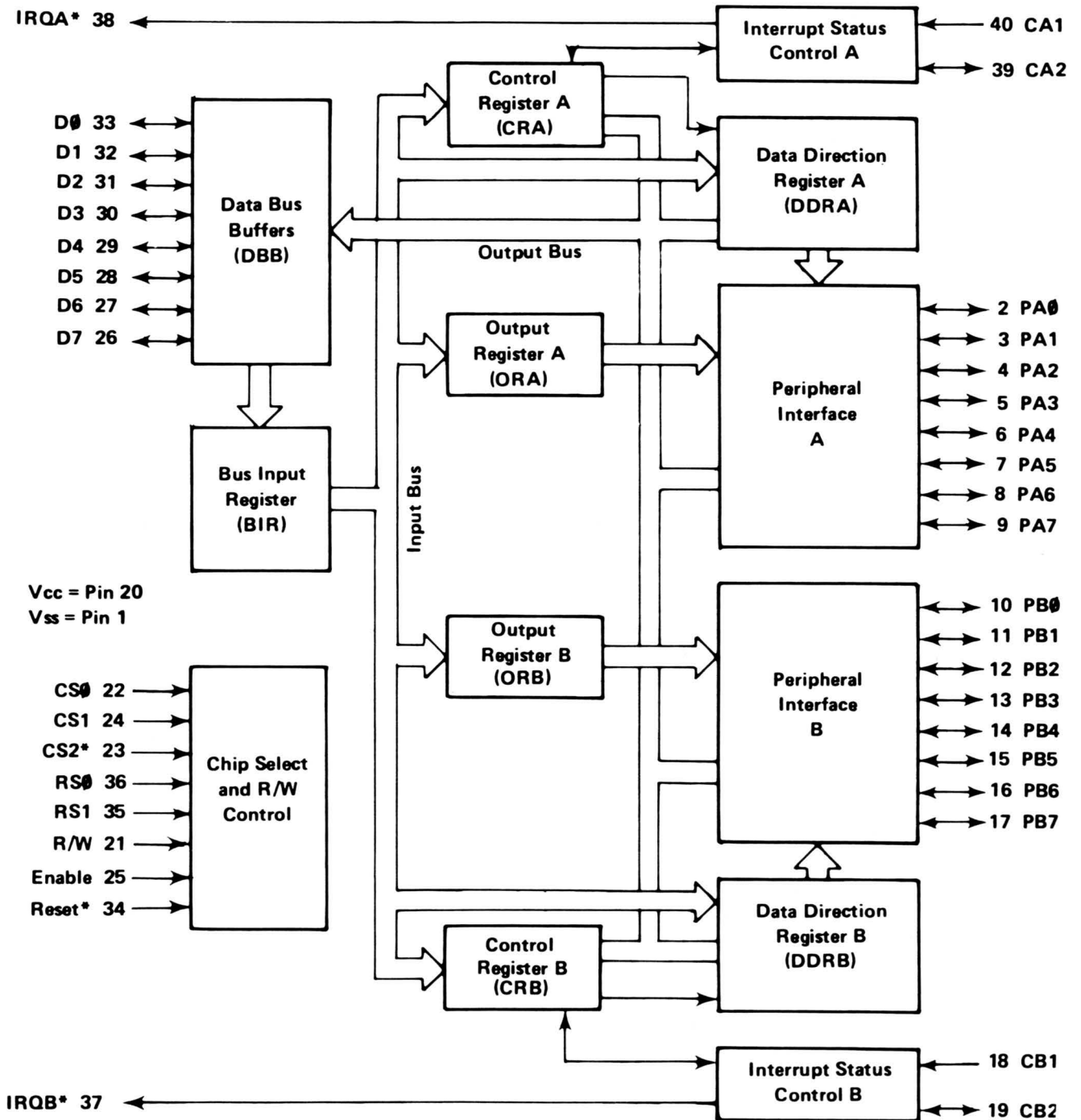


Figure 4-9. PIA Block Diagram

As shown in Figure 4-9, a PIA consists of two 8-bit data registers and 4 control/interrupt lines. The two 8-bit data registers are controlled by two data direction registers. These direction control registers are set up by the reset routine and normally will not be changed.

The four control/interrupt lines are controlled by the two control registers. The control registers also handle device selection within the PIA. Two of the four lines function only as interrupt inputs, and the other two lines may be used as interrupt inputs or outputs.

PIA U7 is used mainly for the keyboard. Data register B (pins 10-17) is programmed as an output and is used to strobe the keyboard columns. The first seven lines of data register A (pins 2-8) are programmed as inputs and are used to read the keyboard rows. Pins 2 and 3 are also used as fire button inputs for the joysticks.

The other pins of PIA U7 serve various functions. The most significant bit of data register A (pin 9) is programmed as an input for the joystick interface. CA2 and CB2 (pins 19 and 39) are used as outputs. These two lines select one of four joystick or sound inputs. The last two pins of PIA U7, CA1 (pin 40) and CB1 (pin 18), are used as interrupt inputs. They are both tied to video clock outputs from the VDG (U8). If enabled, CA1 provides an interrupt after each video line. CB1, if enabled, provides an interrupt after each screen of data (60 Hz).

PIA U2 is used for several different functions. Pins 4-9 of data register A are used for the 6-bit digital to analog converter. Pin 3 of register A is the RS-232 output signal, which is used to drive the printer and other RS-232C-type devices. Pin 2 of register A is the input for data from the cassette. Pins 13-17 of data register B are used to control the selection of the various alphanumeric and graphic modes of the VDG. Pin 12 of register B is an input for the memory size jumper. Pin 11 of register B is the single bit sound output. Pin 10 is the RS-232 signal input pin.

The control and interrupt pins of PIA U2 also serve various functions. CA1 (pin 40) is the input for the signal CD (a status interrupt input for the RS-232 interface). CA2 is an output used to control the cassette motor. CB1 is the cartridge interrupt input. Whenever a cartridge is inserted into the computer, this input will interrupt BASIC and jump to the program in the cartridge. Finally, CB2 is used as an output to enable sound from the DAC chip (U3).

4.7 ROM (U12 and U13)

ROM stands for Read Only Memory, which is a type of memory that retains its data when power is removed from it. When power is applied to the CPU, it immediately attempts to fetch a vector and begin executing instructions. If there were no ROM, the CPU would read random floating states on the data bus, attempt to execute this, and promptly go haywire. The Color Computer 2 contains either one or two ROMs, depending upon whether it is Standard or Extended Color Basic. Each ROM contains 8K bytes which are programmed to provide the user with certain Basic commands and functions. U12 contains Standard Basic, and U13 is the component for the Extended Basic ROM. U12 must always be installed, even in the Extended Basic machine. Note that all address and data lines, as well as Vcc and ground, are paralleled to the two ROMs. The only line that is independent for each ROM is the CE or chip enable line which is provided by U11, the 74LS138, as appropriate.

4.8 Keyboard Interface (U7)

PIA U7 is the only active component in the Keyboard Interface circuit. The B side of this PIA is configured as outputs, and connects to the column lines of the keyboard matrix. The A side of U7 is configured as inputs, and connects to the row lines of the keyboard matrix. PIA U7 is an open-collector device and as such requires the pullup resistors contained in RPL. The use of an open-collector PIA compensates for a possible increase in key contact resistance due to prolonged use, and therefore should result in a highly reliable keyboard interface.

To read the keyboard, only one column is enabled by writing a zero in the bit that corresponds to that column and by writing ones in all the other bits. If a key is being pressed in that column, one of the input lines will be a zero and the key location will correspond to the bit that is low. By scanning each column in the keyboard, all of the keys may be checked. Figure 4-10 shows the keyboard matrix.

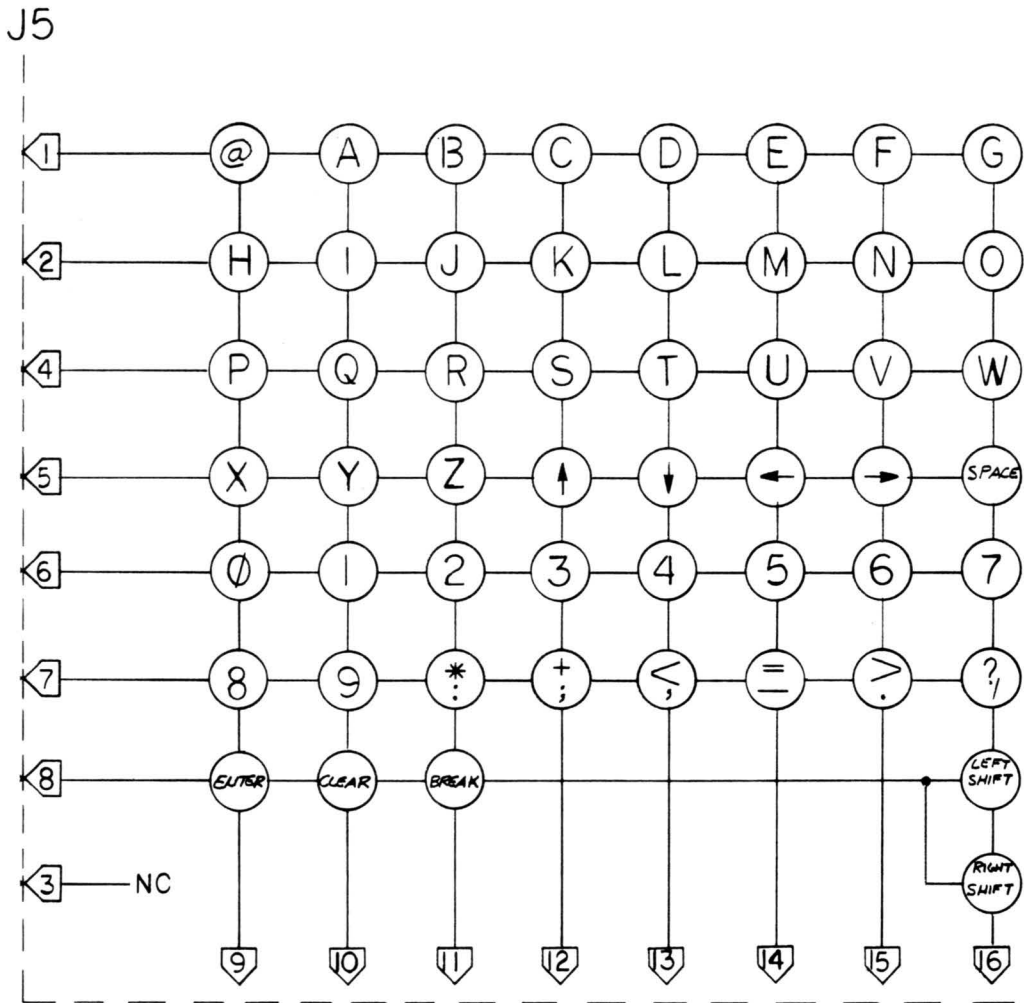


Figure 4-10. Color Computer 2 Keyboard Array

4.9 DAC Circuitry (U3)

Two special analog integrated circuits are used in the Color Computer 2 to implement a multitude of analog functions including power supply regulation, cassette operation, the RS-232 serial interface, the joystick interface, and sound production/selection. The DAC chip (U3) is one of the custom linear integrated circuits used in the Color Computer 2. As its name implies, it contains a Digital to Analog Converter. This chip also contains a sound multiplexer and the circuitry necessary to interface the joystick controllers to the microprocessor. Figure 4-11 shows a block diagram of the DAC chip.

The DAC itself performs most of the functions of this chip. Six bits of control are used by the DAC to specify a discrete internal analog level. This level is one of the sound inputs to the sound multiplexer. It is also used as a reference for a comparator, the other input of which is one of the four joystick inputs. Finally, the DAC signal is attenuated and used as the cassette recording signal for data storage.

There are two select inputs to the DAC chip: Sel A and Sel B. These determine which of the joystick inputs is to be compared against the DAC, as well as which sound source is coupled to the sound output pin according to the following table:

Sel B	Sel A	Joystick Input	Sound Source
0	0	Joy 0	DAC
0	1	Joy 1	Cassette
1	0	Joy 2	Cartridge
1	1	Joy 3	(no sound)

The Digital to Analog Converter employs a 64-collector transistor as a current source which gives good linearity over the entire voltage range. In order to determine the position of the joystick, the microprocessor uses a technique called "Successive Approximation". The microprocessor first selects the desired joystick input by means of the select pins (which are connected to PIA U7).

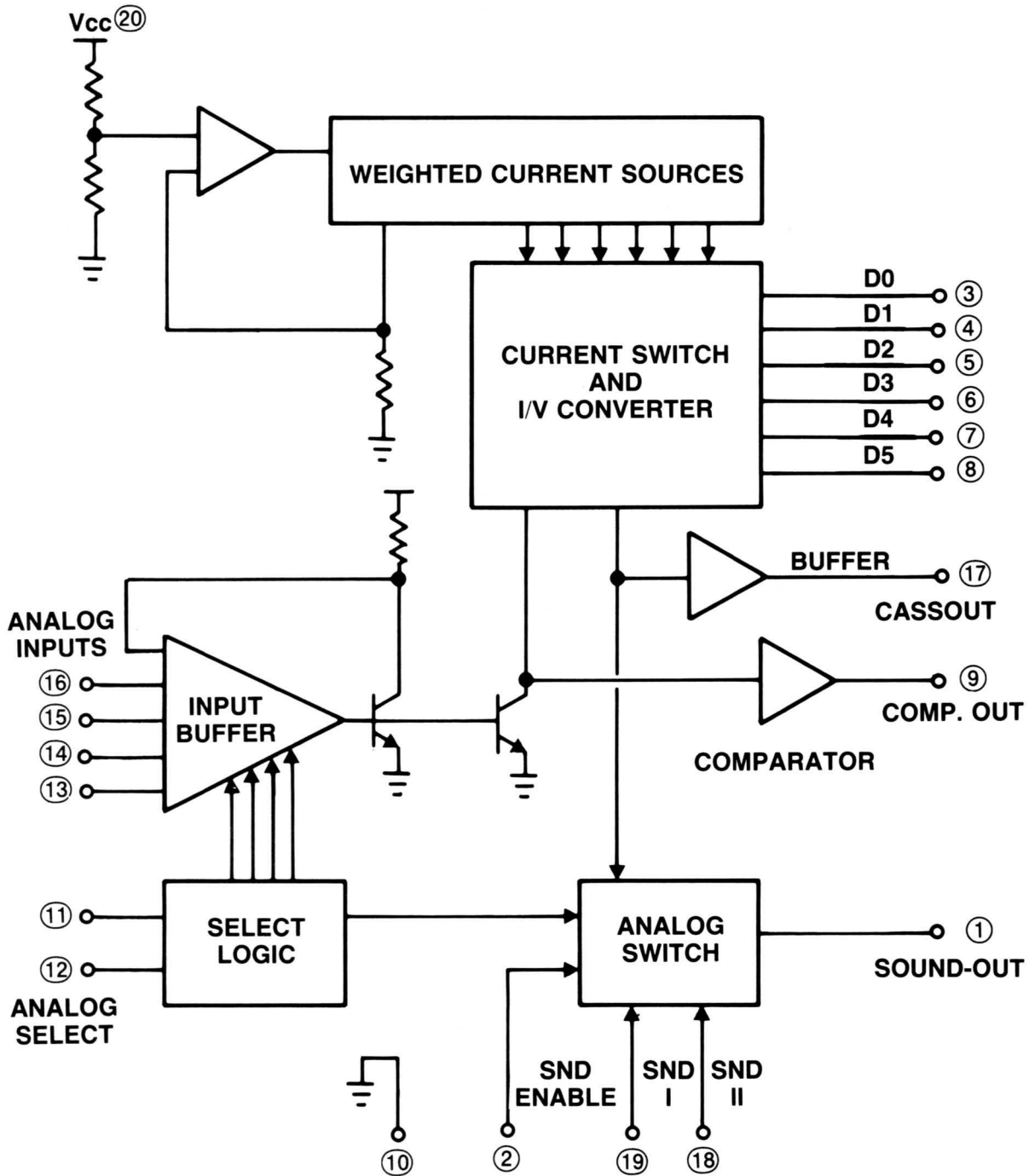


Figure 4-11. DAC Block Diagram

Next, a value equivalent to the midpoint of the voltage range, 32 decimal for example, is sent to the DAC's six-bit input via PIA U2. If the DAC output voltage is lower than the joystick voltage, the HI/LO pin of the DAC chip (comparator output) is low. However, if the DAC voltage is higher, the HI/LO pin is high (logic one). If the HI/LO pin was low, the next value the microprocessor tries is half-way between 0 and the last value, or 16 decimal. If the HI/LO pin was high, the microprocessor tries a value half-way between the last value and 64, or 48 decimal. For each value, the microprocessor either adds or subtracts half the value of the preceding difference, until the final value is found. Since the DAC uses six binary digits, exactly six DAC settings are required to determine the "position" along one axis of the joystick. The four joystick inputs to the DAC chip correspond to two axes for each of two joystick controllers.

The sound multiplexing section is very simple. According to the above table, different sound sources are selected by the Sel A and Sel B inputs, and the selected input is routed to the sound output. If the DAC is used as a sound source, the microprocessor simply feeds a succession of values to the six bits of the DAC in order to produce the desired waveshape. The output of the DAC is then buffered and attenuated to provide approximately 3.9 volts p-p, which is the level required by the modulator to produce maximum volume. If the cassette is the selected input, then sound from the cassette recorder is routed to the sound output. This level follows the input level up to 3.9 volts p-p, at which point it clips the input waveform. Therefore, the volume control on the cassette should not be set higher than the level which provides 3.9 volts p-p to the DAC chip. Similarly, the cartridge may supply the sound source (from pin 8 of the cartridge connector). This signal may be AC-coupled, since the SND input to the DAC chip biases the input at the midpoint of the allowable voltage swing, which is 3.9 volts p-p. Any greater signal amplitude will result in clipping (distortion) of the sound waveform.

In addition to the Select inputs, the sound must be enabled by bringing SNDEN to a high level. This input is controlled by PIA U2. If this pin is at a low level, all sound (except single bit sound) is disabled.

The final function of the DAC chip is to provide the output signal for recording of cassette data. This is, quite simply, a buffered output of the DAC which is attenuated to produce approximately 1 volt p-p into a 2K ohm load. Therefore, it is up to the microprocessor to produce the necessary FSK signals through the DAC and the proper software.

4.10 SALT Circuitry (U1)

The SALT chip U1 (Supply and Level Translator) is responsible for supply regulation, RS-232 interface level translation, cassette read operations, and driving the cassette relay, as is shown in the block diagram in Figure 4-12.

Figure 4-13 shows the complete power supply circuit. AC voltage is brought into the primary of transformer T1 through fuse F1. The secondary of the power transformer provides 17.2 VAC, center-tapped, at 1.8 amps RMS to the Color Computer 2 circuit board. If switch S1 is closed, this AC voltage is applied to the cathodes of CR1 and CR2, and to the anodes of CR3 and CR4. CR1 and CR2 form a full wave center-tapped rectifier with a negative output. This is filtered by electrolytic capacitor C1. This negative voltage is then applied to pin 15 of the SALT chip, where it is internally regulated to -5 VDC and used for the RS-232 output drivers. The negative voltage is not used anywhere else in the computer.

CR3 and CR4 form a full wave center-tapped rectifier with a positive output which is filtered by electrolytic capacitor C2. This positive voltage is applied to the collector of pass transistor Q1 and is used to power the SALT chip at pin 16. The SALT chip internally regulates the positive voltage to +5 VDC and provides the base drive current for Q1. The current for the computer is drawn from the emitter of Q1 through resistor R2. The voltage at this point is monitored by pin 3 of the SALT chip and the base drive adjusted to keep the voltage at a steady +5 VDC, +/- 5%. Electrolytic capacitors C5 and C11 are used to prevent oscillation of the power supply.

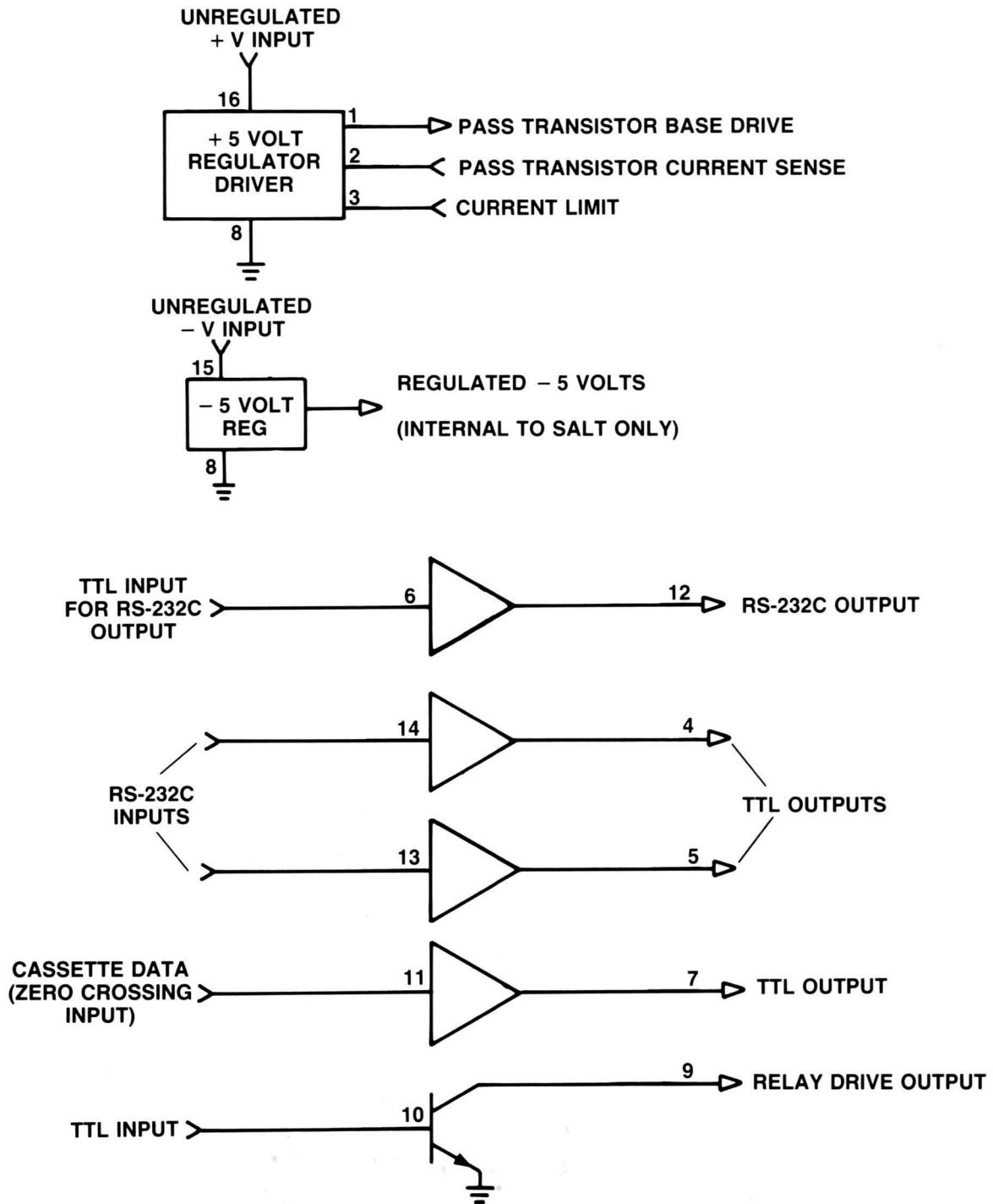


Figure 4-12. SALT Block Diagram

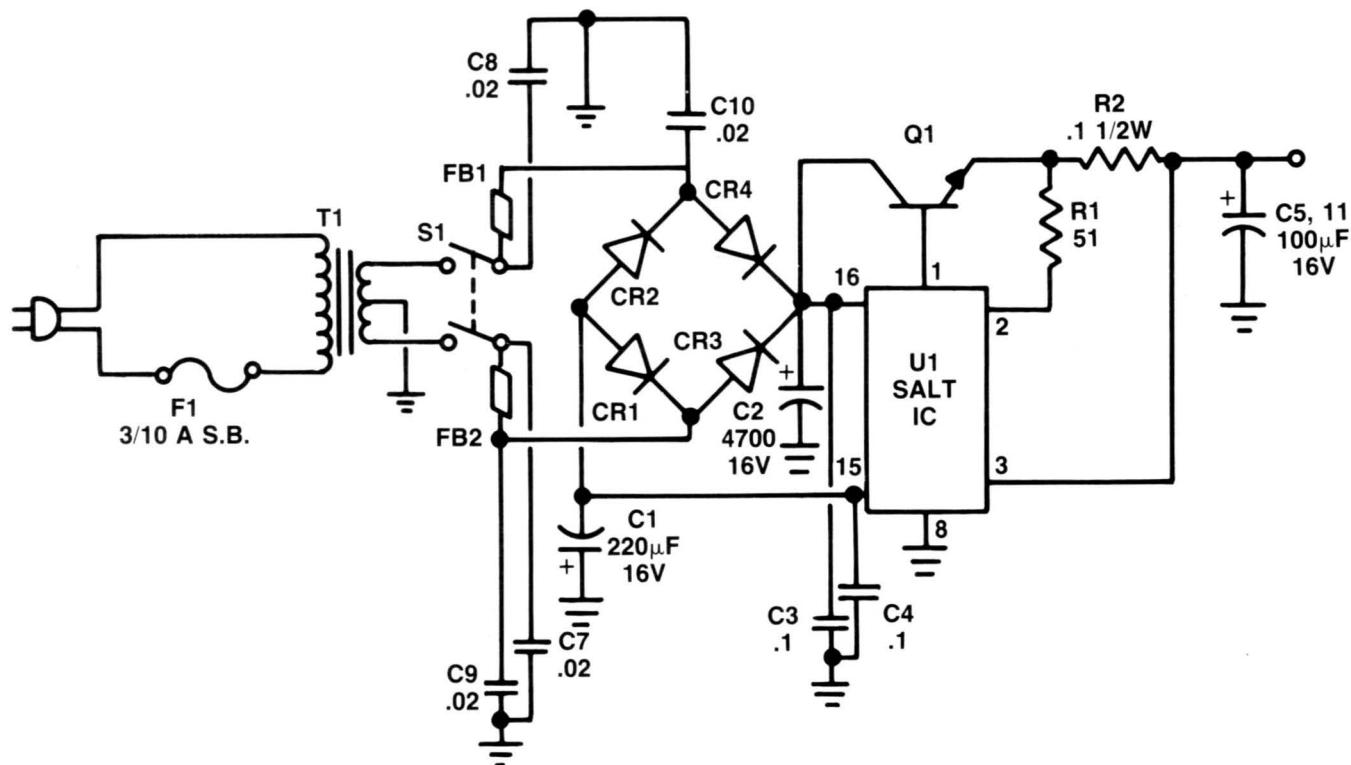


Figure 4-13. Color Computer 2 Power Supply

The SALT chip senses, at pin 2, the amount of current drawn from the supply through R1. If excessive current is drawn, as in the case of a short or component failure, the SALT will "fold back" the voltage output of the supply by reducing the base drive current, thus protecting the supply.

Ferrite beads FB1 and FB2, as well as capacitors C7 through C10, serve to decouple and prevent any digital "noise" which might be present on the DC supply from entering the AC line.

There are two types of Level Translators contained in the SALT chip for use with the RS-232 interface. The output level converter takes as its input a standard TTL signal from PIA U2, inverts it, and uses it to drive the output to approximately +5 VDC for a space and -5 VDC for a mark. This output is coupled through a 270 ohm resistor, R3, to the output connector. R3 serves to limit the amount of current drawn from this output and prevent damage to the SALT chip if the output (at the connector) is inadvertently shorted to an external voltage (such as +/- 12 VDC, which may be present on some RS-232 connectors).

The input level converters have the task of converting incoming RS232 voltage levels to standard TTL signals. These voltages are defined as follows: a "mark" is a negative voltage between -3 and -25 VDC; a "space" is a positive voltage between +3 and +25 VDC. To simplify the task for the SALT chip, either the circuit shown in Figure 4-14 (resistor/zener diode combination) or series diodes CR5 and CR6 (as shown in the PCB schematic) clamp the negative voltages and prevent them from reaching the SALT chip. The incoming signals are compared to a reference of 2.0 VDC. If less than that, they are considered to be a mark. If greater than that, they are considered a space. The space or mark is then output from the SALT chip at an LS TTL compatible level, and is coupled into PIA U2.

The cassette loading circuitry internal to the SALT chip is composed of a zero-crossing detector. Figure 4-14 shows the input from the cassette being loaded by a 220 ohm resistor, R23, then coupled into the SALT chip through a 510 ohm resistor, R4. R23 serves to load the capacitively-coupled output characteristic of most portable cassette recorders, and R4 limits the current of the incoming signal to prevent damage to the SALT chip if an excessively large peak-to-peak voltage is fed into the cassette input. Although Radio Shack's CCR-81 does not produce more than 6 volts p-p, the circuitry is protected from voltages as high as 18 volts p-p. The zero-crossing detector internal to the SALT changes state each time the incoming signal passes through

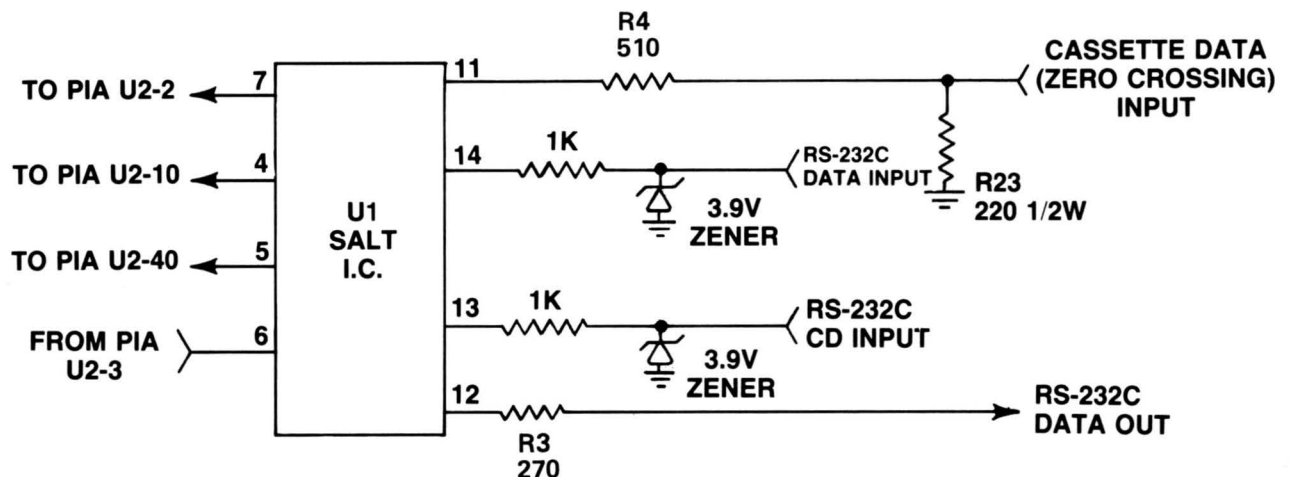


Figure 4-14. I/O Circuitry

zero volts. There is a small amount of hysteresis built in which provides noise immunity and prevents false triggering of the zero-crossing detector. The output of the zero-crossing detector is an LS TTL compatible level and is coupled into PIA U2.

The final function of the SALT chip is to drive the cassette relay. A TTL signal from PIA U2 enters pin 10 of the SALT chip where it is connected to the base of an internal Darlington transistor, the emitter of which is grounded. The collector exits the SALT chip at pin 9, and is connected to one end of the cassette relay. The other end of the relay connects to +5V. When the incoming signal goes high, the transistor becomes saturated and connects its end of the cassette relay to ground, causing the relay to energize. When the incoming signal is low, the transistor is cut off. There is no ground return for the +5 volts at the other end of the relay, so it is de-energized. The diode across the relay coil is to prevent the counter-emf caused by the collapsing magnetic field (when the relay de-energizes) from damaging the transistor in the SALT.

4.11 Cassette Tape Format Information

The standard TRS-80 Color Computer 2 tape is composed of the following items:

1. A leader consisting of 128 bytes of 55H
2. A Namefile block
3. A blank section of tape equal to approximately 1/2 second in length to allow BASIC time to evaluate the Namefile
4. A second leader of 128 bytes of 55H
5. One or more Data blocks
6. An End of File block

The block format for Data blocks, Namefile blocks, or an End of File block is as follows:

1. One leader byte -- 55H
2. One sync byte -- 3CH
3. One block type byte:
 - 01H = Data block
 - FFH = End of File block
 - 00H = Namefile block
4. One block length byte -- 00H to FFH
5. Data -- 0 to 255 bytes
6. One checksum byte -- the sum of all the data bytes plus block type and block length bytes
7. One trailer byte -- 55H

The End of File block is a standard block with a length of 0.

The Namefile block is a standard block with a length of 15 bytes (0FH). The 15 bytes of data provide information to BASIC and are employed as described below:

1. Eight bytes for the program name
2. One file type byte:
 - 00H = BASIC Program
 - 01H = Data File
 - 02H = Machine Code Program
3. One ASCII flag byte -- 00H = Binary, FFH = ASCII
4. One Gap flag byte -- 01H = continuous, FFH = gaps
5. Two bytes for the start address of a machine language program
6. Two bytes for the load address of a machine language program

4.12 RS-232 Connector (J3)

The RS-232C interface utilizes a 4-pin DIN connector. This interface allows the computer to have serial communications with printers, modems, other computers, or any device capable of interfacing with RS-232C signals. The four signals used by the interface are:

1. CD -- a status line
2. RS232IN -- serial data input
3. GROUND -- zero voltage reference
4. RS232OUT -- serial data out

The pinout for the DIN connector (viewed from the rear of the computer) is shown in Figure 4-15.

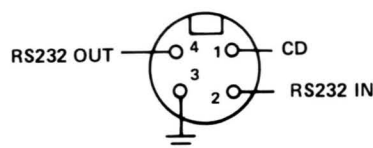


Figure 4-15. RS-232C Connector Pinout

The RS232C interface hardware in the Color Computer 2 is capable of communicating with any device which will operate with the minimum three-signal interface. It is also possible that devices which use a larger set of RS-232C signals may be used with the Color Computer 2. This would be accomplished by connecting unused device inputs to the correct high or low level.

In software, the only RS-232C device supported by the 8K Basic ROM is a serial printer. For use with the printer, the pin assignment of the connector differs slightly from the above description:

1. No Connection
2. Connected to the BUSY output (or status line) of the printer
3. Ground
4. Connected to the Serial Data Input of the printer

If your printer does not provide a status line, then pin 2 must be connected to a positive voltage of +3 to +12 volts. This tells the computer that the printer is ready all of the time.

In order to operate, the software must make several assumptions about the printer. These assumptions are:

1. The printer operates at 600 Baud.
2. The printer width is 132 columns.
3. The printer generates a BUSY when it is not ready.
4. The printer will automatically return the carriage at the end of the line. It will also do a line feed at this time.
5. The data format is one start bit, eight data bits, two stop bits, and no parity.

Some printers will require that these assumptions be modified. This may be accomplished by changing RAM variables or by a special driver routine.

A list of all the printer variables is given in Table 1. Also, Table 2 lists some alternate values for these variables. The last comma field variable should be set equal to the width value minus the comma field width. The comma field width will normally stay at 16.

4.13 Cartridge Connector (J6)

The 40-pin cartridge connector provides the possibility of expanding the TRS-80 Color Computer 2 in almost any manner. All of the important CPU bus signals are tied to this connector. A complete list and brief description of these signals is provided in Table 3.

VARIABLE	HEXIDECIMAL ADDRESS	DECIMAL ADDRESS	INITIAL VALUE	
			HEXI-DECIMAL	DECIMAL
BAUD RATE MSB	0095	149	00	0
BAUD RATE LSB	0096	150	57	87
LINE DELAY MSB	0097	151	00	0
LINE DELAY LSB	0098	152	01	1
COMMA FIELD WIDTH	0099	153	10	16
LAST COMMA FIELD	009A	154	70	112
LINE PRINTER WIDTH	009B	155	84	132

Table 1. Line Printer Variables

BAUD RATE:	DECIMAL VALUE		HEXIDECIMAL VALUE	
	MSB	LSB	MSB	LSB
120 BAUD	1	202	01	CA
300 BAUD	0	180	00	BE
600 BAUD	0	87	00	57
1200 BAUD	0	41	00	29
2400 BAUD	0	18	00	12
LINE DELAY:	DECIMAL VALUE		HEXIDECIMAL VALUE	
	MSB	LSB	MSB	LSB
.288 SECONDS	64	0	40	00
.576 SECONDS	128	0	80	00
1.15 SECONDS	255	255	FF	FF
WIDTH:	DECIMAL VALUE		HEXIDECIMAL VALUE	
	MSB	LSB	MSB	LSB
16 CHARACTERS/LINE	16		10	
32 CHARACTERS/LINE	32		20	
64 CHARACTERS/LINE	64		40	
255 CHARACTERS/LINE	255		FF	

Table 2. Alternate Line Printer Variable Values

PIN #	SIGNAL NAME	DESCRIPTION
1	N/C	
2	N/C	
3	HALT*	Halt Input to the CPU
4	NMI*	Non-Maskable Interrupt to the CPU*
5	RESET*	Main Reset And Power-Up Clear Signal To The System
6	E	Main CPU Clock (0.89 MHz)
7	Q	Quadrature Clock Signal Which Leads E
8	CART*	Interrupt Input For Cartridge Detection
9	+5V	+5 Volts (300 MA)
10	D0	CPU Data Bit 0
11	D1	CPU Data Bit 1
12	D2	CPU Data Bit 2
13	D3	CPU Data Bit 3
14	D4	CPU Data Bit 4
15	D5	CPU Data Bit 5
16	D6	CPU Data Bit 6
17	D7	CPU Data Bit 7
18	R/W*	CPU Read – Write Signal
19	A0	CPU Address Bit 0
20	A1	CPU Address Bit 1
21	A2	CPU Address Bit 2
22	A3	CPU Address Bit 3
23	A4	CPU Address Bit 4
24	A5	CPU Address Bit 5
25	A6	CPU Address Bit 6
26	A7	CPU Address Bit 7
27	A8	CPU Address Bit 8
28	A9	CPU Address Bit 9
29	A10	CPU Address Bit 10
30	A11	CPU Address Bit 11
31	A12	CPU Address Bit 12
32	CTS*	Cartridge Select Signal
33	GND	Signal Ground
34	GND	Signal Ground
35	SND	Sound Input
36	SCS*	Spare Select Signal
37	A13	CPU Address Bit 13
38	A14	CPU Address Bit 14
39	A15	CPU Address Bit 15
40	SLENB*	Input To Disable Device Selection

Table 3. Cartridge Connector Signals

The most common use of the cartridge connector is with the ROM cartridge. For Cartridge detection, the Q clock is connected to the cartridge interrupt pin, which generates an interrupt anytime the cartridge is plugged in and forces the computer to jump to the program in ROM.

CAUTION

DO NOT PLUG A CARTRIDGE IN WITH POWER
APPLIED TO THE COLOR COMPUTER 2 AS SERIOUS
DAMAGE TO THE UNIT AND/OR THE
CARTRIDGE MAY RESULT.

In addition to the expected data, address, and R/W lines, several control and special purpose signals are available on the Cartridge connector. They are as follows:

HALT* -- This active low signal places the processor in a HALT state immediately following the execution of the current instruction. While in the HALTed state, the processor address and data lines are in the high impedance mode, making it possible for external devices to access RAM and ROM. The processor may be HALTed indefinitely without any loss of internal data.

NMI* -- This is the non-maskable interrupt input to the CPU.

RESET* -- This is the master system reset and power-up clear signal.

E, Q -- These are the two clock signals for the MC6809E CPU.

CART* -- This is an interrupt input into PIA U2. It is used to detect the presence of a cartridge.

CTS* -- This is the Cartridge Select Signal. It is valid when the processor reads any location from C000 Hex to FEFF Hex, as long as the SAM is in Map Type 0. Note that it is not active during a write to these locations.

SND -- This signal is connected directly to the sound input of the DAC chip, and allows cartridge-generated sound signals to be fed through the TV sound system. The signal should be AC coupled, and should not exceed 3.9 volts p-p.

SCS* -- This is a second chip select signal from U11. It is active for both reads from and writes to addresses FF40H through FF5FH, regardless of the map type.

SLENB* -- This signal disables the internal device selection. This allows decoded but unused sections of memory to be used by the cartridge hardware.

4.14 Power Transformer

The Color Computer 2 Power Transformer accepts 110 VAC 60 Hz input and transforms it to 17.2 VAC center-tapped for use by the power supply. The current rating of the secondary of the transformer is 1.8 amps RMS maximum. The primary is fused by a 3/10 amp, slow-blowing fuse. The fuse and the transformer should only be replaced with genuine Radio Shack replacement parts.

4.15 Joysticks

The optional Joystick Controllers are two identical assemblies which can plug into J1 and J2. Figure 4-16 shows a schematic of the Joystick Assembly. It consists simply of a push button switch for the fire button and the dual potentiometers connected by a mechanical assembly.

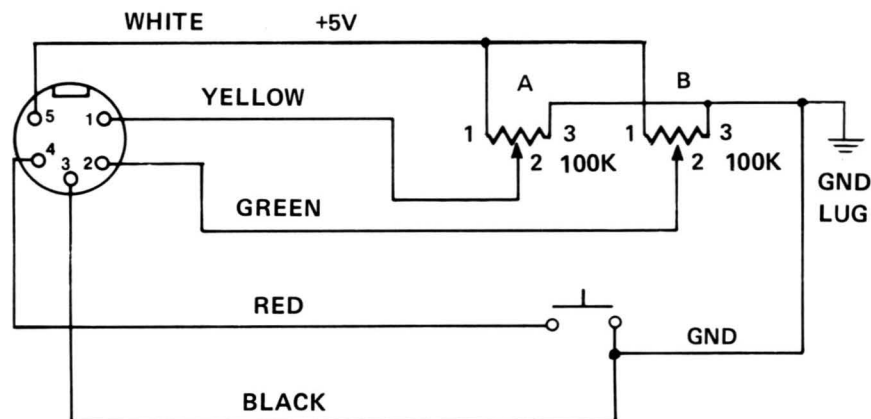


Figure 4-16. Joystick Schematic

The mechanical assembly allows both potentiometers to be changed at the same time. This gives the effect of a two-dimensional control. The potentiometers are connected so that a 5 volt reference is applied to one side of the variable resistor, and ground is connected to the other. This allows the center wiper to vary from 0 to 5 volts as the handle is moved. The push-button switch merely provides a momentary ground contact for an input signal.

4.16 TV Switch Box

The antenna switch box consists of a switch and a balun, with connectors provided for attachment to the computer, the TV antenna, and the home TV. The switch box is connected to the customer's TV through the 300 ohm twin-lead output. The TV antenna is attached directly to the switch box. The computer output is connected through a 75 ohm coax cable to the phono plug input on the switch box. Figure 4-17 shows a schematic of the antenna switch box.

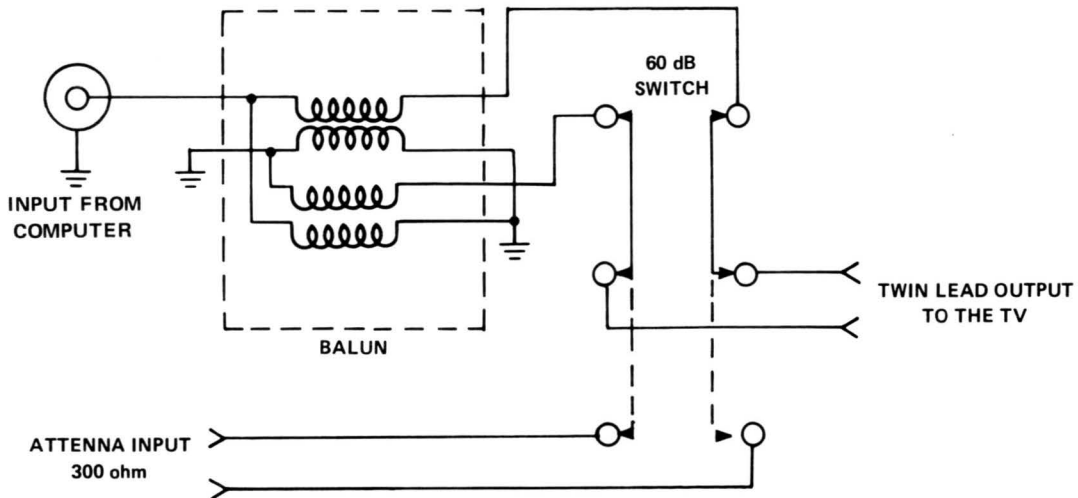
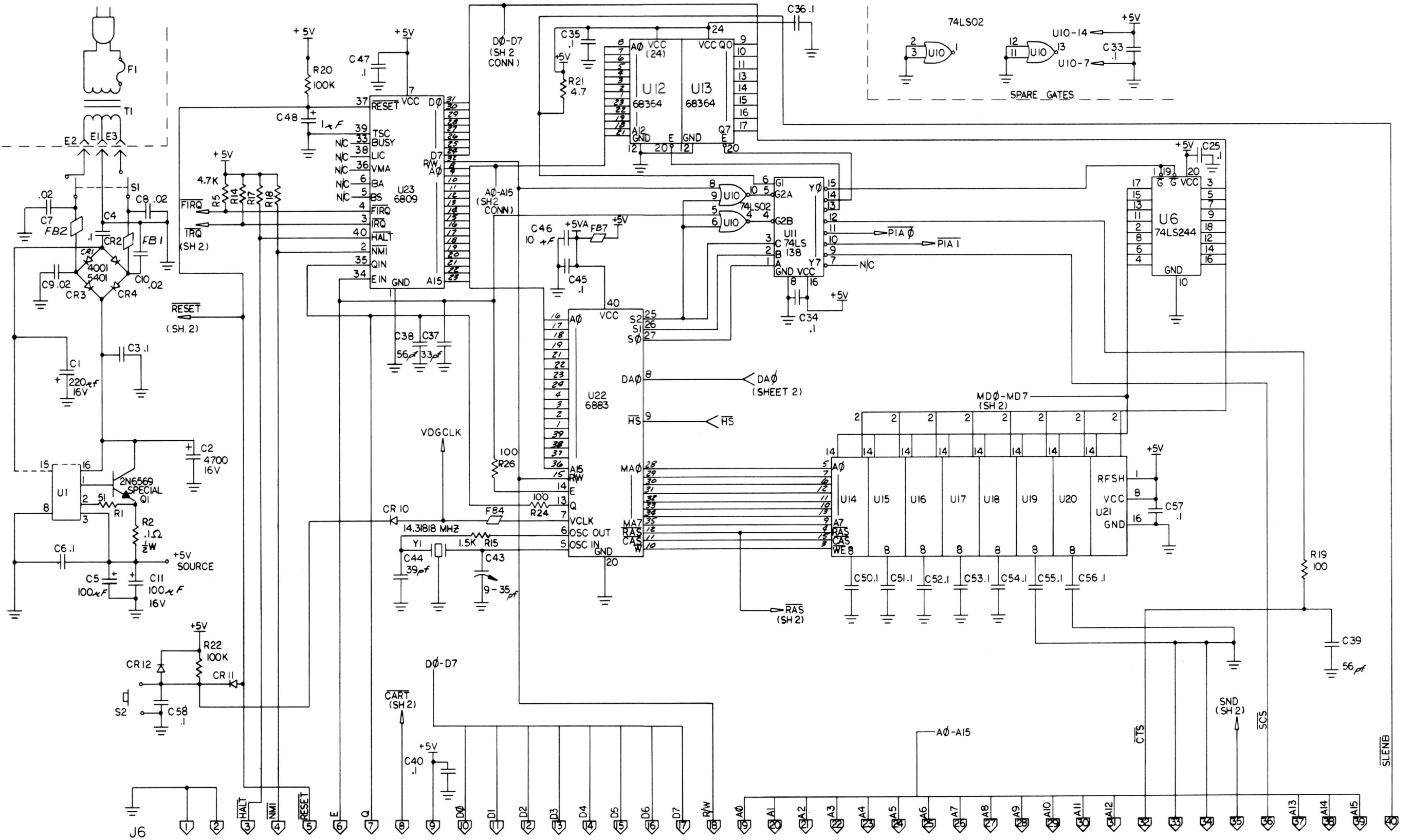
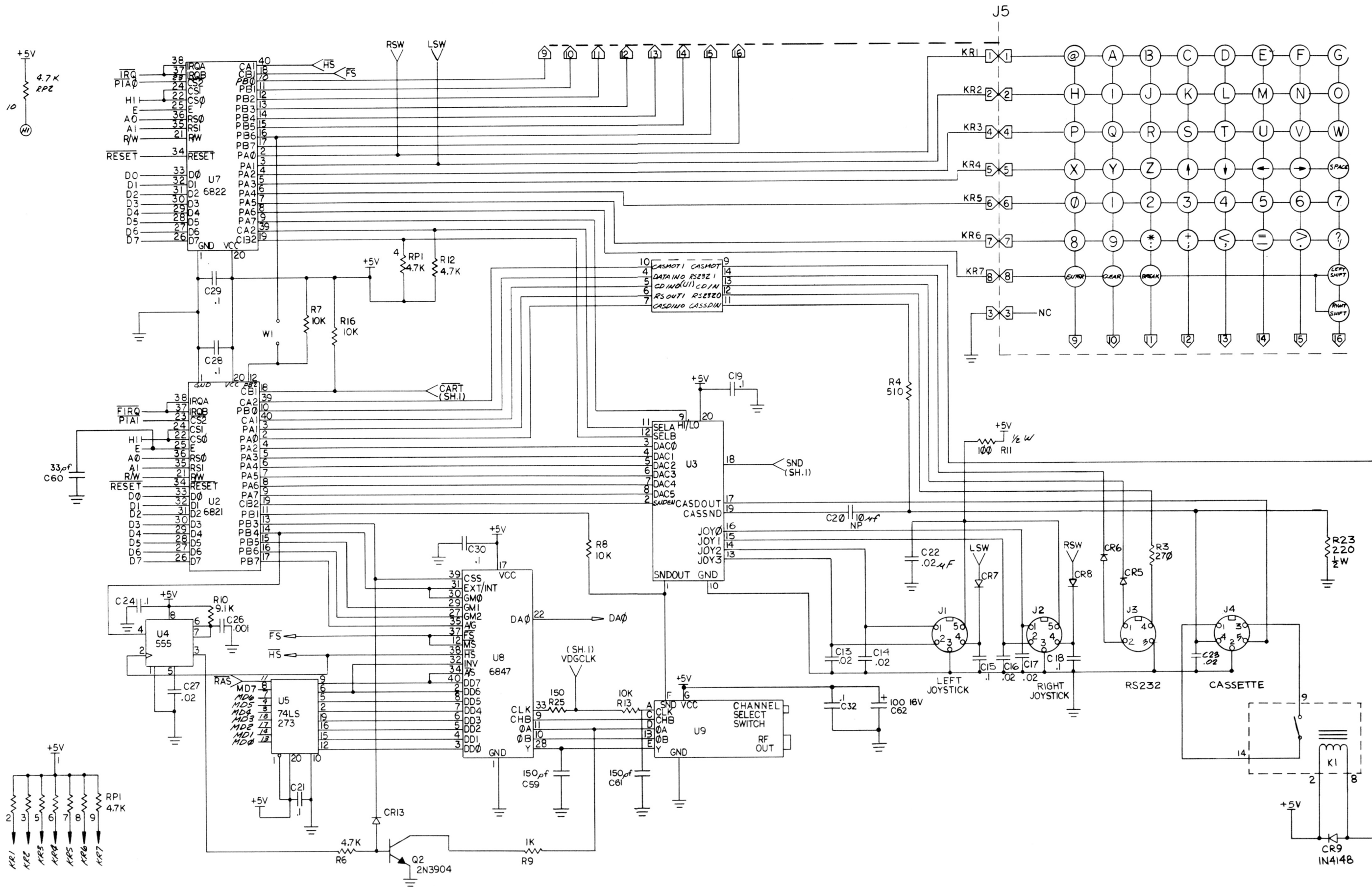


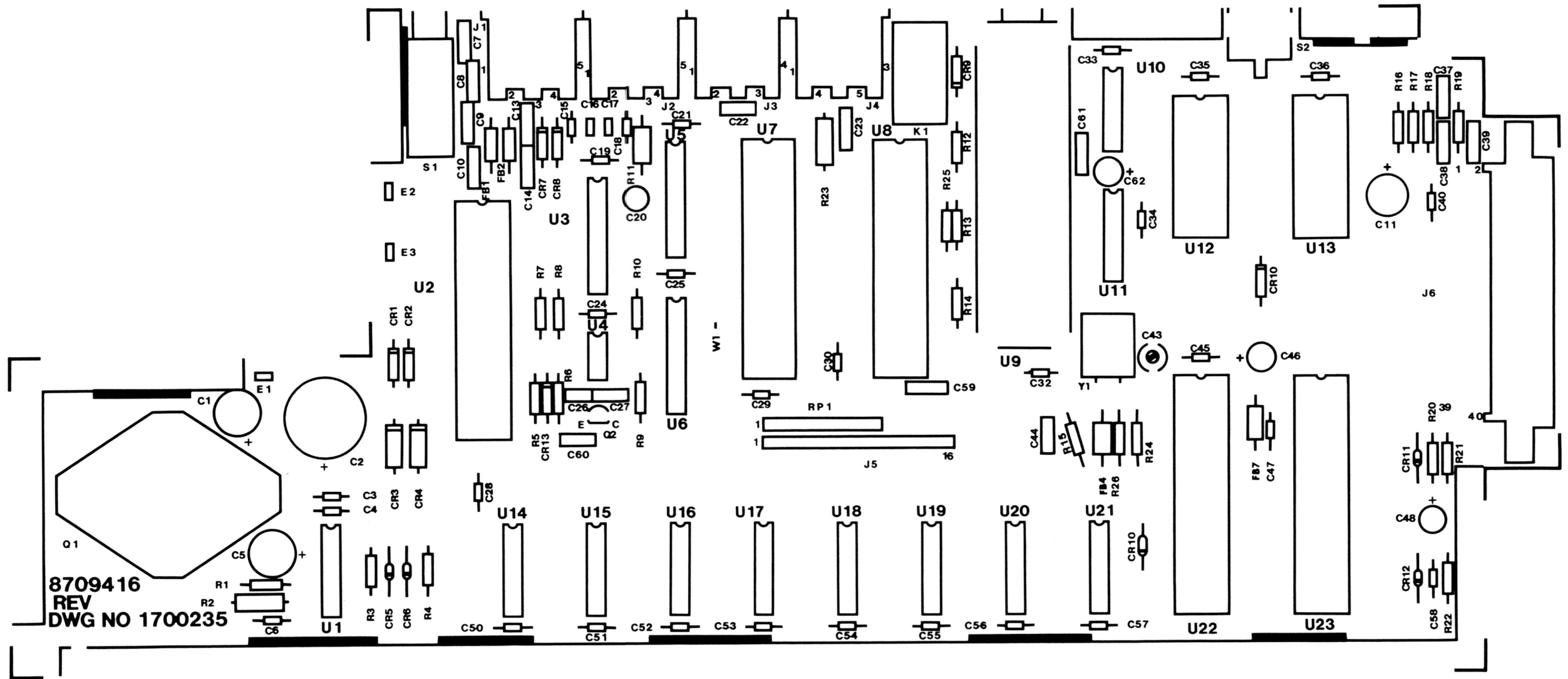
Figure 4-17. Antenna Switch Box Schematic

From the computer, the signal is connected to a balun in the switch box which matches the modulator's 75 ohm output impedance to a TV's 300 ohm antenna input impedance. This signal is then connected to the switch. The switch is specially designed to provide the 60 dB of isolation required between the computer and the TV antenna.

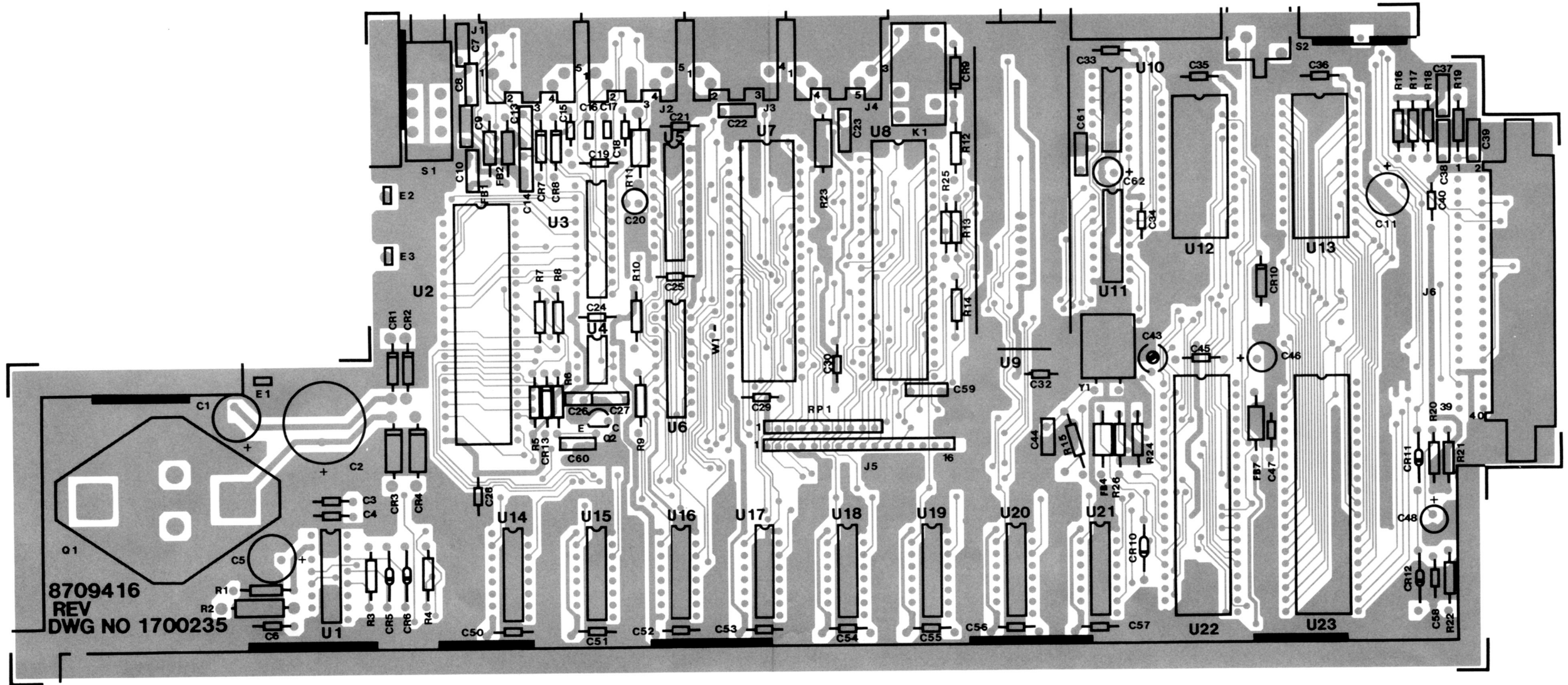




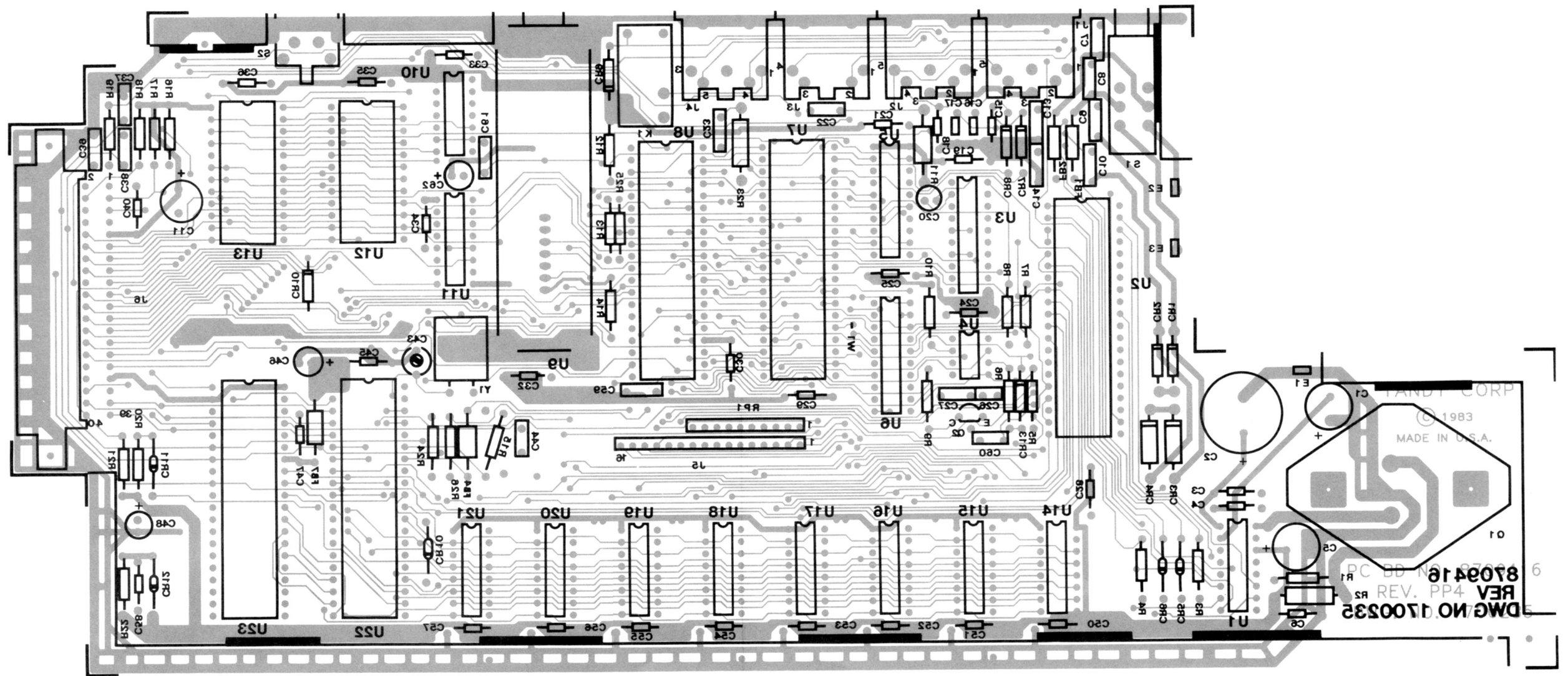
Schematic 8000191A, Color Computer 2 (Page 2 of 2)



Component Layout 1700235, PCB Number 8857636
 Color Computer 2



Circuit Trace 1700235, PCB Number 8857636, Component Side
Color Computer 2



Circuit Trace 1700235, PCB Number 8857636, Solder Side
 Color Computer 2

Main Logic PCB #8857625 (8857636*), Color Computer 2

Item	Ref	Description	Part Number
1	1	PCB, Main Logic	8709416
2	1	Lug, Fast-On	8529016
3	9	Socket, 16-Pin DIP(U1,14-21)	8509003
4	3	Socket, 20-Pin DIP(U3,5,6)	8509009
5	2	Socket, 24-Pin DIP(U12,13)	8509001
6	5	Socket, 40-Pin DIP(U2,7,8, U22,23)	8509002
7	1	Switchcap (Reset)	8489066
8	1	Bracket, Switch (Reset)	8729223
9	1	Heatsink, 6015-PBSE1 (Q1)	8549016
10	2	Nut, #6 KEPS	8579004
11	1	Label, PCB Serial	8789963

CAPACITORS

C1	220 mfd, 16V Elec Rad	8327221
C2	4700 mfd, 16V Elec Rad	8328471
C3	0.1 mfd, 50V Mono Axial	8374104
C4	0.1 mfd, 50V Mono Axial	8374104
C5	100 mfd, 16V Elec Rad	8327101
C6	0.1 mfd, 50V Mono Axial	8374104
C7	0.02 mfd, 50V Cer Disk	8303223
C8	0.02 mfd, 50V Cer Disk	8303223
C9	0.02 mfd, 50V Cer Disk	8303223
C10	0.02 mfd, 50V Cer Disk	8303223
C11	100 mfd, 16V Elec Rad	8327101
C12	N.A.	
C13	0.02 mfd, 50V Cer Disk	8303223
C14	0.02 mfd, 50V Cer Disk	8303223
C15	0.1 mfd, 50V Mono Axial	8374104
C16	0.02 mfd, 50V Cer Disk	8303223
C17	0.02 mfd, 50V Cer Disk	8303223
C18	0.1 mfd, 50V Mono Axial	8374104
C19	0.1 mfd, 50V Mono Axial	8374104
C20	10 mfd, 25V Elec Rd NP	8396101
C21	0.1 mfd, 50V Mono Axial	8374104
C22	0.02 mfd, 50V Cer Disk	8303223
C23	0.02 mfd, 50V Cer Disk	8303223
C24	0.1 mfd, 50V Mono Axial	8374104
C25	0.1 mfd, 50V Mono Axial	8374104
C26	0.001 mfd, 50V Poly	8352104
C27	0.02 mfd, 50V Cer Disk	8303223

*Extended Basic PCB Number

Main Logic PCB #8857625 (8857636*), Color Computer 2

Item	Ref	Description	Part Number
CAPACITORS (cont'd)			
	C28	0.1 mfd, 50V Mono Axial	8374104
	C29	0.1 mfd, 50V Mono Axial	8374104
	C30	0.1 mfd, 50V Mono Axial	8374104
	C31	N.A.	
	C32	0.1 mfd, 50V Mono Axial	8374104
	C33	0.1 mfd, 50V Mono Axial	8374104
	C34	0.1 mfd, 50V Mono Axial	8374104
	C35	0.1 mfd, 50V Mono Axial	8374104
	C36	0.1 mfd, 50V Mono Axial	8374104
	C37	33 pfd, 50V Cer Disk	8300334
	C38	56 pfd, 50V Cer Disk	8300564
	C39	56 pfd, 50V Cer Disk	8300564
	C40	0.1 mfd, 50V Mono Axial	8374104
	C41	N.A.	
	C42	N.A.	
	C43	9-35 pfd Trimmer	8360356
	C44	39 pfd, 50V Cer Disk	8300394
	C45	0.1 mfd, 50V Mono Axial	8374104
	C46	10 mfd, 25V Elec Rad	8326102
	C47	0.1 mfd, 50V Mono Axial	8374104
	C48	1 mfd, 50V Elec Rad	8325104
	C49	N.A.	
	C50	0.1 mfd, 50V Mono Axial	8374104
	C51	0.1 mfd, 50V Mono Axial	8374104
	C52	0.1 mfd, 50V Mono Axial	8374104
	C53	0.1 mfd, 50V Mono Axial	8374104
	C54	0.1 mfd, 50V Mono Axial	8374104
	C55	0.1 mfd, 50V Mono Axial	8374104
	C56	0.1 mfd, 50V Mono Axial	8374104
	C57	0.1 mfd, 50V Mono Axial	8374104
	C58	0.1 mfd, 50V Mono Axial	8374104
	C59	150 pfd, 50V Cer Disk	8301154
	C60	33 pfd, 50V Cer Disk	8300334
	C61	150 pfd, 50V Cer Disk	8301154
	C62	10 mfd, 25V Elec Rad	8326102
CONNECTORS			
	J3	4-Pin DIN	8519094
	J4	5-Pin DIN	8519085
	J1	6-Pin DIN	8519095
	J2	6-Pin DIN	8519095
	J5	Keyboard	8519176
	J6	40-Pin Right Angle	8519139

Main Logic PCB #8857625 (8857636*), Color Computer 2

Item	Ref	Description	Part Number
=====			
DIODES			
	CR1	1N4002, 50V, 1A	8150002
	CR2	1N4002, 50V, 1A	8150002
	CR3	1N5401, 100V, 3A	8160401
	CR4	1N5401, 100V, 3A	8160401
	CR5	1N4148	8150148
	CR6	1N4148	8150148
	CR7	1KF20-04	8160020
	CR8	1KF20-04	8160020
	CR9	1N4148	8150148
	CR10	1N4148	8150148
	CR11	1N4148	8150148
	CR12	1N4148	8150148
	CR13	1KF20-04	8160020
	FB1	Ferrite Bead	8419013
	FB2	Ferrite Bead	8419013
	FB4	Ferrite Bead	8419013
	FB7	Ferrite Bead	8419013
	K1	Relay	8429107
TRANSISTORS			
	Q1	SJ5812	8110569
	Q2	MPS3904	8110904
RESISTORS			
	R1	51 ohm, 1/4W 5%	8207051
	R2	0.1 ohm, 1/2W 5%	8247002
	R3	270 ohm, 1/4W 5%	8207127
	R4	510 ohm, 1/4W 5%	8207151
	R5	4.7 kohm, 1/4W 5%	8207247
	R6	4.7 kohm, 1/4W 5%	8207247
	R7	10 kohm, 1/4W 5%	8207310
	R8	10 kohm, 1/4W 5%	8207310
	R9	1 kohm, 1/4W 5%	8207210
	R10	9.1 kohm, 1/4W 5%	8207291
	R11	100 ohm, 1/2W 5%	8217110
	R12	4.7 kohm, 1/4W 5%	8207247
	R13	10 kohm, 1/4W 5%	8207310
	R14	4.7 kohm, 1/4W 5%	8207247
	R15	1.5 kohm, 1/4W 5%	8207215
	R16	10 kohm, 1/4W 5%	8207310
	R17	4.7 kohm, 1/4W 5%	8207247

Main Logic PCB #8857625 (8857636*), Color Computer 2

Item	Ref	Description	Part Number
RESISTORS (cont'd)			
R18		4.7 kohm, 1/4W 5%	8207247
R19		100 ohm, 1/4W 5%	8207110
R20		100 kohm, 1/4W 5%	8207410
R21		4.7 kohm, 1/4W 5%	8207247
R22		100 kohm, 1/4W 5%	8207410
R23		220 ohm, 1/2W 5%	8217122
R24		100 ohm, 1/4W 5%	8207110
R25		150 ohm, 1/4W 5%	8207115
R26		100 ohm, 1/4W 5%	8207110
RP1		Res Pack, 4.7 kohm, 10 Pin	8294247
SWITCHES			
S1		DPDT, Push ON/OFF	8489062
S2		SPST, Momentary	8489065
INTEGRATED CIRCUITS			
U1		Custom SALT	8050527
U2		MC6821, PIA	8040821
U3		Custom DAC	8050526
U4		NE555	8040055
U5		74LS273, Octal Latch	8020273
U6		74LS244, Buffer	8020244
U7		MC6822, PIA	8040822
U8		MC6847, VDG	8040847
U9		RF Modulator	8429500
U10		74LS02, Quad NOR	8020002
U11		74LS138, Decoder	8020138
U12		MC68A364, ROM	8040364B
*U13		MC68A364, ROM	8042364A
U14		MCM4517, RAM	8040517
		thru	
		21	
U22		MC6883, SAM	8040278
U23		MC6809E, CPU	8040809
Y1		Crystal, 14.31818	8409008

*Used on #8857636 Extended Basic PCB only

5/ Troubleshooting

This section of the manual contains troubleshooting hints, diagnostic routines, and scope waveforms for the Color Computer 2. Scope settings are noted on the individual waveform diagrams.

5.1 INTRODUCTION

The Color Computer 2 should be serviced only by qualified technicians. Throughout this guide a basic knowledge of computers will be assumed, as will the ability to use a dual-trace oscilloscope. As is true when servicing any computer, it is important to distinguish between a hardware problem and a software problem. Stated another way, just because a particular program does not yield the results desired by the user, the hardware is not necessarily at fault. It is therefore recommended that the technician be thoroughly familiar with the operation of the Color Computer 2, as well as the Theory of Operation. Diagnostic aids are available from Radio Shack National Parts to assist the technician in the servicing of the Color Computer 2.

Standard troubleshooting techniques include the steps Identify, Localize, and Isolate. The first step, Identify, consists largely of making sure that a problem exists. In this step it is wise to check the obvious. Doing so can save hours of troubleshooting time only to find out that a cable was bad, or that it was some other relatively minor problem. After identifying that a problem really does exist, Localizing can usually be accomplished by merely observing the symptoms. Isolating a problem down to the defective component will often involve the use of test equipment, and sometimes, part substitution.

Following is a list of virtually all of the problems that might be identified on the Color Computer 2:

- Video
- Keyboard
- Processing problems
- Cassette
- RS-232
- Sound
- Joystick
- Cartridge problems

If a problem exists in more than one area, the first course of action should be to look for a common cause. Although it is possible to have two or more independent problems, it is more likely that a single failure can cause a multitude of symptoms. It is apparent, for example, that if the power supply is dead, that all of the above areas will have problems.

Once a problem has been identified in one of the above areas, it can be localized by observing the specific symptom. For example, if a Cassette problem exists, is it a Read problem, a Write problem, or a Motor Control problem? After the problem is localized, isolating it to a specific component is usually not very difficult. Included in this section is a flowchart for verifying proper operation of the power supply, oscilloscope pictures of various signals under proper operation, and a textual description of symptoms one might expect along with probable causes.

5.2 Video Problems

5.2.1 No Display

One of the first indications that the Color Computer 2 is working is the display on the T.V. If upon powerup the T.V. continues to display "snow", indicating that it is not receiving a signal from the computer, the first thing that should be done is to check the obvious. Is the proper channel selected on the T.V. and the computer? Is the coaxial cable connected from the computer to the T.V. switchbox? Is the switchbox connected to the VHF inputs of the T.V.? Is the switchbox in the "computer" position? On sets requiring it, is the 75 ohm VHF link connected to enable the 300 ohm inputs?

If the answer to each of the above questions is yes, then either the power supply or the modulator is dead. In this case, a quick check for the presence of +5 volts at the left side of C32 should suffice to determine whether the power supply or the modulator is at fault. If the +5 volts is there, then the modulator should be replaced. If the voltage is incorrect or missing, proceed to the section on checking the power supply.

It is also possible to have no video, but instead of the screen remaining snowy, it is completely black or blank. In this case, the T.V. is at least receiving a signal from the computer, which indicates at least partial functioning of the power supply and modulator. However, there is still the possibility that one or the other of these components is at fault. There is also the possibility of some obvious "gotcha" -- check that the proper channel is selected on both the T.V. and the computer, and that the brightness and contrast of the T.V. are set at an appropriate level. If these are O.K., then get out the oscilloscope and check for the Y signal at pin 28 of U8. A normal Y signal is shown in Figure 5-6. If the Y signal is present, then the modulator is the most likely suspect. If the Y signal is missing, then U8 is probably at fault. Other possibilities include the power supply (do a complete check) and circuit board shorts or opens associated with U8 and the modulator.

5.2.2 No Sync

If the image on the screen is not synchronized properly (it is rolling vertically or diagonally), then the most likely suspect is U8 or the clock signal going to U8. Of course, there is one obvious thing to check first -- are the T.V. and the computer set to the same channel? If so, then scope out the 3.58 MHz clock signal going into pin 33 of U8. This signal must be at the proper amplitude (TTL level) and the proper frequency (3.58 MHz). A normal clock signal is shown in Figure 5-5. If the clock is O. K., then either the VDG (U8) is bad, or the Y signal is loaded by a PC short. It is also remotely possible that the modulator is bad.

If the clock signal is missing, or the wrong amplitude or frequency, proceed to the section on checking the clock.

5.2.3 "Garbage" on Screen

In many cases, a screenful of "garbage" (random characters) indicates a processing problem. To verify whether or not this is the case, try some simple commands that do not require screen output to prove they are working. For example, "SOUND 60,20" or some similar sound command may be executed directly if one types carefully. "CLOAD" should also start the cassette and, if a short program is loaded, should stop at the end. If tests like these do not function, proceed to the section on Processing Problems.

If the above tests indicate that the processor is functioning normally, then the problem is likely caused by either bad RAMs, (U14 - 21), a bad latch (U5), or a bad VDG (U8). Substitution with known good RAMs should be used to isolate a RAM problem. For the other two possibilities, an oscilloscope should be used to check all signals for valid TTL levels. The latch should be clocked by the RAS* signal, which also appears at pin 4 of the RAM chips. If a bad logic level is found, then the chip producing the logic level is suspect. If no problem is found with the RAMs or the latch, the VDG should be checked by substitution (again, with a known good IC).

5.2.4 Clear Screen, No Signon

When the Color Computer 2 is first powered up, it clears the screen and prints the appropriate BASIC signon message. If the screen clears, but the signon fails to appear, there is most likely a processing problem. Particularly suspect would be an active FIRQ* without a cartridge present. Proceed to the section on Processing problems.

5.2.5 No Color

Before attempting to fix a no-color problem in the computer, ensure that the T.V. is properly adjusted. The color level control must be set to an appropriate level and the tint control should be approximately centered. The fine tuning control, if present, must be properly adjusted, or no color will appear.

It is a good idea to try the computer on both channels (3 and 4) to determine if it is merely an adjustment problem. Also note that the computer will not generate color on a T.V. that depends on the Vertical Interval Reference (VIR) signal to be present. Some T.V.s that use the VIR signal to automatically adjust the color have a switch to defeat this feature; others do not. If the VIR option cannot be defeated, then color will not be produced on this T.V. as the computer does not generate the VIR signal.

If color is produced on one channel and not on another, it should be determined whether the computer or the T.V. is at fault. This may be done by trying several computers on the T.V., or by trying the computer on several T.V.s. If the computer is determined to be at fault, the modulator should be replaced.

If the computer does not generate color on any T.V., several possibilities exist. The first thing to check is the presence of the 3.58 MHz clock into the modulator (pin A). A scope picture is shown in Figure 5-5. If the clock is missing, or less than 100 mV p-p amplitude, the modulator will produce a black and white picture. Probable causes for this include R13 open or increased in value, C61 shorted or leaking, or the modulator itself. (If the clock source, which is the SAM chip, is not working the system will not even produce a black and white picture.)

After determining the clock signal to be O.K., the next thing that should be checked is the Chroma outputs of the VDG. The Ch B output (pin 9) should be some steady DC value greater than 0 volts and probably less than 2 volts--usually about 3/4 to 1 volt. The Phase A and Phase B (pins 11 and 10, respectively,) outputs should display waveforms shown in Figures 5-6 thru 5-9. Note that the relationship of the DC levels of Phase A and Phase B determines the color (photographs are given for screen colors of red, blue, and green). If any of the signals are missing or at improper levels, the VDG is suspect. If replacing the VDG does not cure the problem, then the signals are loaded by either PC shorts or again, possibly a bad modulator.

5.2.6 Wrong Colors

The procedure for troubleshooting wrong colors is basically the same as that for no color. Insure that the T.V. is properly adjusted, paying particular attention to the tint control, and then check the chroma signals coming out of the VDG. Note that an irregularity of the Phase A signal may be caused by the Artifacts circuit (U4, Q2, and associated resistors, capacitors, and diodes).

5.2.7 No Artifacts Or Improper Artifacts

The artifacts circuit in the Color Computer 2 is responsible for generating burst in the high-resolution mode, so that this mode will be displayed in color. Failure of the artifacts circuit could result in one or more of the following symptoms: no color in the high-res mode, wrong color all the time, or left part of the screen shaded a different color from the rest of the screen. If no color is obtained in the high-res mode, then either the one-shot (U4) is not operating, or the transistor (Q2) is not

coupling this signal onto Phase A. (Consult the earlier theory of operation for a detailed description of how this circuit works.) Oscilloscope pictures of the artifacting circuit are shown in Figures 5-10 thru 5-12. One strange symptom is that of the left side of the screen being shaded a different color from the rest of the screen. This indicates that the one-shot is taking too long to time out, causing the level of Phase A to be shifted during the active portion of the video display. This may be caused by a defective U4, by leakage or improper value of capacitor C26, or by increase in value of resistor R10.

5.3 Keyboard

5.3.1 No Keyboard Entry

No keyboard entry may be caused by a variety of factors. These include: broken flex cable which connects keyboard to main PCB, defective PIA U7, +5 volt connection to pullup resistor pack R1, defective R1, a short to ground on any of the keyboard row inputs, or a defective keyboard. In particular, note that the capacitors on the joystick fire button leads (C15 and C18) might short and cause this problem.

5.3.2 Some Keys Inoperative

The most common cause of some keys not working when others do is an open somewhere -- either on the keyboard itself, or in the connecting flex cable, or on the PC board. If an isolated key does not work, the problem is almost certainly on the keyboard itself. However, if a whole row or column of keys does not work (see the keyboard matrix on the schematic diagram), then any of the above is a possibility. Other possible causes are a defective PIA (U7) and defective R1.

5.3.3 Wrong Character for Key Pressed

If a different character is displayed other than the one that should be displayed for a given key, the problem is most likely a short. Again, the short could be on the keyboard itself, in the connector, or on the PCB. All of the aforementioned possibilities should also be checked. One additional possibility is a defect in the processing section, particularly on the data bus.

5.4 Processing Problems

5.4.1 General

Processing problems are the most difficult to isolate. This is because there are so many possibilities. One of the most valuable tools for locating the cause of processing problems is the oscilloscope. In many cases, it is sufficient to determine whether there is activity on a given line, and that the high and low levels are valid TTL levels. A half-level almost always indicates a problem, except in the case of tri-state outputs. Even a signal with tri-state outputs, when not tri-stated, should go to valid TTL levels. Observe the scope picture of the memory signals, Figure 5-16. Note that although the data output line (bottom trace) goes to a half-level at times, that it also goes down to a valid logic 0 and up to a valid logic 1 at other times.

In addition to showing valid levels, a scope can tell you if the signal is happening at the appropriate time. Although it sometimes gets rather complicated to trigger off the appropriate combination of signals, this is possible if absolutely necessary. As an example, observe Figure 5-6, the picture of Y and Phase B. Note that the small negative-going blip of the Phase B signal (bottom trace) happens at exactly the same time as the back porch of the horizontal sync pedestal of Y (top trace). This is evident because time is measured on the horizontal axis of the scope, and the blip is exactly under the back porch. (Recall from the previous discussion that this is where this blip needs to be to generate color burst.) Another example that shows timing is Figure 5-4, which shows the quadrature relationship of the E and Q signals.

5.4.2 Symptoms

There are several common symptoms of processor-type problems: the processor may "lock up" (appear to do nothing), it may "go wild" (randomly execute garbage instructions and appear to be doing something, but not what it is supposed to be doing), or it may function "almost" correctly, but not quite. Any of these symptoms may be caused by the same type of defect. Therefore, the following items, instead of being listed by symptom, comprise a processing check list for any type of processor-related problem.

5.4.2.1 E and Q

Check for the presence of E and Q. These signals should look like the ones in Figure 5-4. If either clock is missing, the CPU will not operate. Also make sure that the clocks have good logic levels. The E clock is more demanding than the Q clock, and requires a high logic level of at least 4 volts. These clocks are produced by the SAM chip (U22). E is sent to both PIAs (U2 and U7), the CPU (U23), the NOR gate (U10) and the edge connector. The Q clock goes only to the processor and the edge connector. Both clocks have small value capacitors on them to prevent harmonic radiation. If any of these components connected to these clock lines become shorted, it is likely to reduce the amplitude of the clock signal.

5.4.2.2 Interrupt/Halt/Reset

After power up, without a cartridge installed and without executing any program, the NMI* line (pin 2), the FIRQ* line (pin 4), the HALT* line (pin 40), and the RESET* line (pin 34) of the processor should all be high. In addition, the IRQ* line (pin 3) should have a 60 Hz pulse on it (it should have a short low-going pulse about every 16 msec). If any of these lines are stuck low, you have found the problem. Replace the processor. If the condition still exists, find out what is pulling the line low, and repair it. If the IRQ line is low, the PIA U7 could be bad, or a problem could exist in the address decoding section. (Once the PIA generates an interrupt, the processor must access the PIA to clear the interrupt.)

5.4.2.3 Address/Data Lines

It is rather difficult to define exact patterns of address and data lines on the CPU as these are dependent upon which address is being accessed, and the data to be read or written. All address and data lines should be capable of activity, however, and the output levels should be valid TTL. Figures 5-13 and 5-14 show typical address and data patterns. Note that some of the address lines may not show activity when the processor is in a loop. However, by depressing the RESET button while scoping the address lines, at least momentary activity should be displayed. Another clue is that typically (although certainly not always) the address lines should act more or less like a frequency divider -- that is, the frequency of activity on A1 should

be half the frequency of activity of A0 and twice the frequency of A2, and so on. This is because the processor accesses instructions sequentially until the program counter is altered.

If any of the address or data lines seem incapable of generating either a valid logic 1 or valid logic 0, a fault is indicated. If the fault persists after replacing the CPU (U23), then a device which is on the appropriate bus is probably shorted, or there is a PCB short.

5.4.2.4 Address Decoding Section

If the CPU is functioning normally, outputting all of the correct addresses, but the appropriate device (ROM, RAM, PIA, etc.) is not selected, a processing problem will be evident. During the "idle" mode (after power up but before accepting keyboard entry), the CPU should be alternately accessing the ROM (U12, to obtain instructions) and the Keyboard PIA (U7, looking for keyboard entry). The ROM chip enable line (U12, pin 20) should show activity, as should the PIA chip enable (U7, pin 23). If either of these signals is absent, likely suspects are the SAM chip (U22), the 3-to-8 decoder (U11) or the NOR gate (U10). The SAM should be checked by substitution, or by observing the S0 through S2 lines (pins 25, 26 and 27) on the oscilloscope. U11 can be easily checked with an oscilloscope for proper inputs and outputs, as can U12. A final remote possibility is that the ROM (U12) and the PIA (U7) are loading the output signals of U11, or that PCB faults exist.

5.4.2.5 Memory Problems

If the ROM is being enabled frequently and all other CPU signals are good, but the screen never clears or the screen does clear but the signon does not appear, then either a ROM or RAM problem is indicated. These should be checked by substitution with known good devices. ROM and RAM faults could also be responsible for other processing type problems, such as intermittent lock-up, random (garbage) execution, the display of error messages when no error was committed, and incorrect results of computations. The last two cases require careful analysis of the attempted program or command before assuming a ROM or RAM problem. Some typical RAM waveforms (RAS, CAS, DATA IN, and DATA OUT) are shown in Figures 5-15 and 5-16.

5.5 Cassette Problems

5.5.1 Motor Control Problems

Of all possible problems in the Color Computer 2, lack of motor control is probably the easiest to isolate. Of course, the obvious should not be overlooked, which includes bad cable or bad cassette recorder. Actuation of the relay can be tested by listening for the relay click while depressing the Reset button. If the click is heard, but continuity does not appear at pins 1 and 3 (the two outside pins) of the cassette connector, J4, then either the relay is bad or the PCB or connector is open. If the click is not heard, then possible bad components are U2, U1, and the relay itself (open coil), as well as PCB faults. The following simple program will allow checking of these components:

```
10 POKE 65313,60
20 POKE 65312,52
30 GOTO 10
```

After this program is keyed in and run, scope U2 pin 39 for a squarewave of approximately 40 Hz. If it is not present, then change U2. If it is present, then scope U1 pin 9 for the same squarewave. If it is not there, then change U1. If it is there, then change the relay. If replacing the suspect component does not correct the problem, then a PCB fault is indicated.

5.5.2 Write Problems

Cassette write problems are also very simple to isolate and repair. Again, don't forget to verify the obvious, such as the cassette recorder and cable. If you are convinced that a cassette write problem exists, key in and execute the following program:

```
10 SOUND 200,255:GOTO 10
```

Now look for the waveforms as shown in Figure 5-17. If the top waveform is there, but the bottom one isn't, look for it directly at the chip (U3 pin 17). If it is at the chip, but not at the connector, a PCB fault or connector fault is indicated. If it is not present at the chip, insure that pin 17 is not shorted to ground. If not, replace U3 and re-run the program. If the waveform is still not present,

then replace PIA U7 and repeat the test. Remember that the cassette output amplitude should be somewhere between 1 and 2 volts p-p.

5.5.3 Read Problems

Isolating a cassette read problem is not much more difficult. However, to do so requires an input signal of some kind. A sufficient signal can be the cassette output signal coupled back to the cassette input through a 10 microfarad, non-polarized capacitor. Run the same program as above and look for the waveforms in Figure 5-18. If the bottom waveform is not present (the input to the SALT chip, U1), then check input components C23, R23, and R4, as well as the PCB and connector. If the input waveform is present, but not the output waveform, then replace the SALT chip (U1). If the output is still not present, then look for PCB faults or PIA U2 to be loading the output waveform. Remember, the input must go both above and below ground, and should be at least 100 mV p-p. Also, the output should be valid TTL levels.

5.6 RS-232 Problems

5.6.1 Output Missing or Incorrect

RS-232 problems are just about as easy as cassette problems. The output may be checked by entering in the following short program, running it, and scoping the output at J3 pin 4:

```
10 POKE 65312,2
20 POKE 65312,0
30 GOTO 10
```

A square wave of approximately 40 Hz should appear. The square wave should go at least 3 volts negative and at least 3 volts positive. If the output is not there, look for it directly at the chip (U1 pin 12). If it is still not there, change U1 and try again. If the output is still not there, change PIA U2 or look for PCB faults. If the output is at U1 pin 12 but not at the edge connector, check current-limiting resistor R3, or look for PCB faults. It is possible to have a positive-going output, but not the negative-going portion, as this is the only circuit in the computer that utilizes the negative portion of the power supply. Check for negative voltage (-7.5 or better) at U1 pin 15. If it is not there, proceed to the Power Supply

flowchart. If it is there, but there is no negative portion to the RS-232 output waveshape, then U1 is most likely at fault.

5.6.2 Input Problems

RS-232 input problems can be checked in a static condition. Ground pin 1 of J3 and insure that U1 pin 5 goes high. Then connect pin 1 of J3 to +5 volts and insure that U1 pin 5 goes low. Repeat the test with J3 pin 2 and U1 pin 4. If any of the conditions are not met, replace U1. If problems still exist, then change PIA U2 or check for PCB faults.

5.7 Sound Problems

Almost any sound problem in the Color Computer 2 can be traced to U3. Other possibilities include PIA U2 and the modulator. As a quick check, key in the following program and look for the waveform shown in Figure 5-17 at the modulator, pin F:

```
10 SOUND 200,255:GOTO 10
```

If the waveform is present but no sound is heard, replace the modulator (did you check to see if the volume control on the T.V. was turned up?). If the waveform is not present, then change U3 or U2 as necessary. If the problem still exists, check for PCB faults.

5.8 Joystick Problems

As with sound problems, joystick problems are almost always associated with U3. Additional possibilities include U2 for joystick pots, and U7, CR7, and CR8 for fire button problems. Of course, PCB and connector faults could also be a problem. To test the joysticks, connect two KNOWN GOOD joysticks and key in and execute the following program:

```
5 CLS
10 A=JOYSTK(0)
20 B=JOYSTK(1)
30 C=JOYSTK(2)
40 D=JOYSTK(3)
50 E=(PEEK(65280)AND1)
60 F=(PEEK(65280)AND2)/2
70 PRINT @ 0,A,B,C,D,F,E
80 GOTO 10
```

The top two numbers on the screen represent the right joystick. By rotating the joystick, you should be able to get each number to change from 0 to 63 and include all numbers in between. The next two numbers represent the left joystick, which should be tested in the same manner. The bottom two numbers represent the two fire buttons, and will be 1 when the fire button is not depressed and 0 when the fire button is depressed. (The left number is the left fire button and the right number is the right fire button.)

If any of the above testing does not yield the desired results, replace the components discussed above. Remember, if it is necessary to replace CR7 or CR8, use exact Radio Shack replacement diodes of the proper part number as these are special diodes with a low forward-voltage drop.

5.9 Cartridge Problems

In checking any kind of symptom dealing with an external cartridge, the obvious first step is to be sure that you are using a known good cartridge. If a known good cartridge causes the computer to lock up or execute random garbage, the most likely cause would be open address or data lines to the edge connector. To check this, use a dual trace oscilloscope, and check each address and data line, with one probe at the processor and the other at the connector. You should, of course, see identical signals. One other possibility that could cause this symptom would be a "dual addressing" type of problem, which would allow more than one device at a time to be activated. This would most likely be caused by the address decoding circuit consisting of SAM (U22) and U10 and U11.

If the cartridge does not auto start, the lines Q and CART* should be checked for opens to the connector.

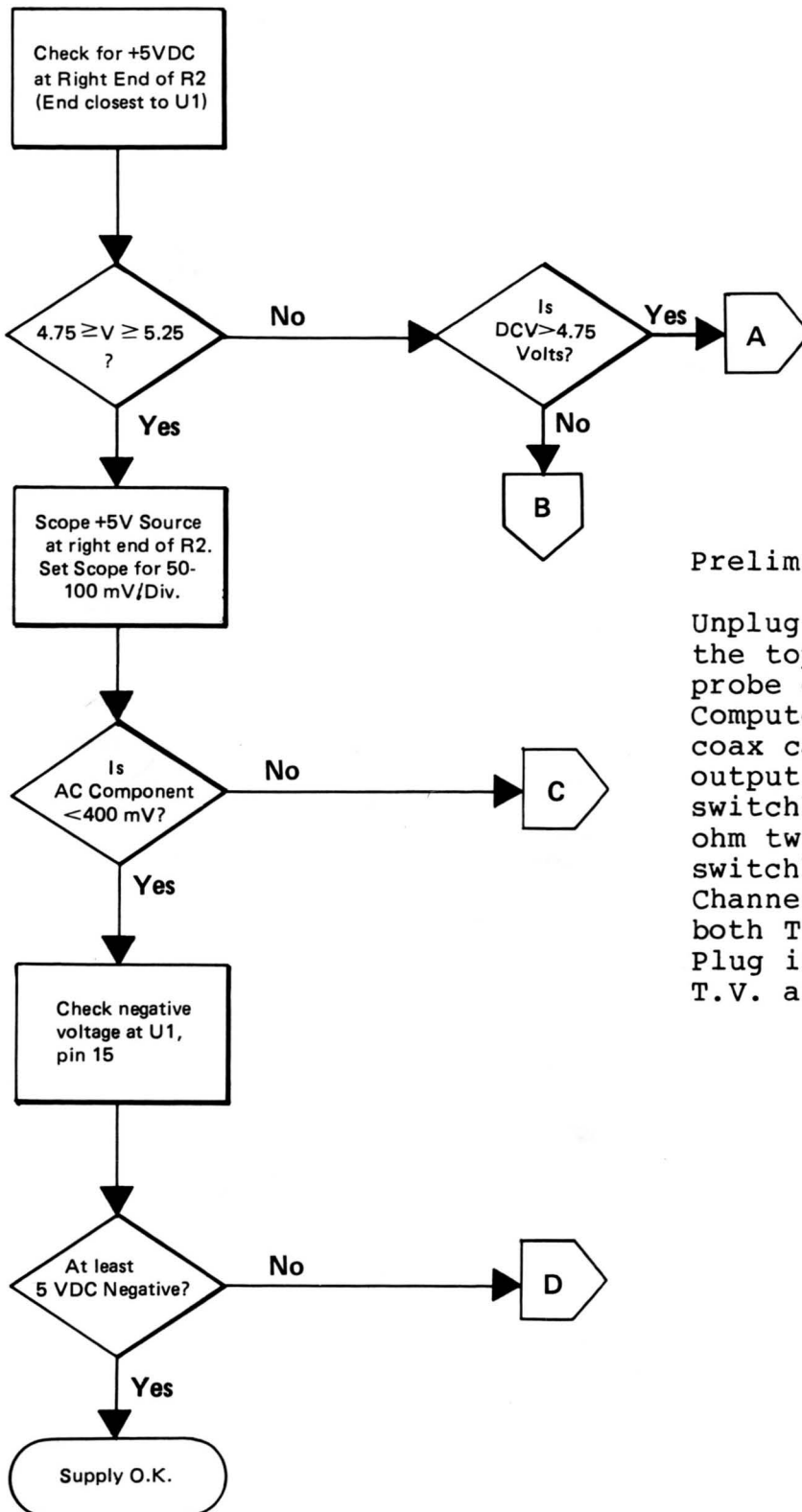
5.10 Power Supply

The Color Computer 2 power supply must function properly for the unit to work. Following is a flow chart for complete testing of the power supply. The power supply should be checked without any I/O devices or cartridges attached, as a defective external load could confuse the findings. In addition to tight (+/- 5%) regulation of the DC voltage, the power supply should be relatively free of AC ripple or high frequency noise. Refer to Figure 5-3 as well as the flowchart for information on AC content. If the power supply is "almost" functioning correctly, but not quite, the

symptoms could be quite bizarre, as well as highly intermittent.

Of particular interest is the case where the power supply is acting in a half-wave configuration rather than a full-wave configuration (compare Figures 5-1 and 5-2). This causes twice the AC ripple to be on the supply, and reduces the amount of current that can be drawn from the supply. Therefore, the computer might work "normally" without a plug in cartridge, but not function at all with a heavier load. A half-wave supply would also cause the pass transistor to get hotter than normal, and could cause premature failure.

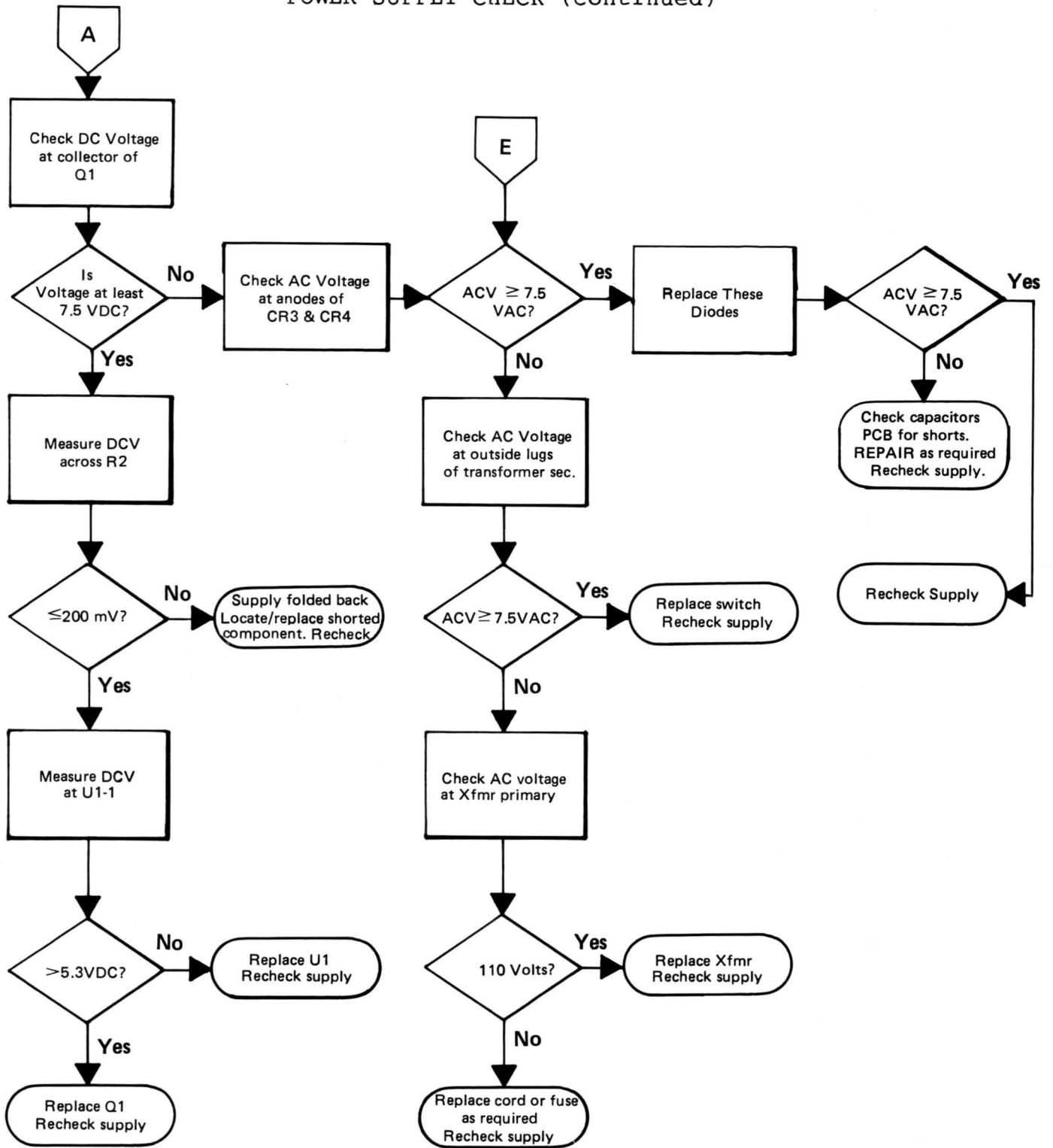
POWER SUPPLY CHECK



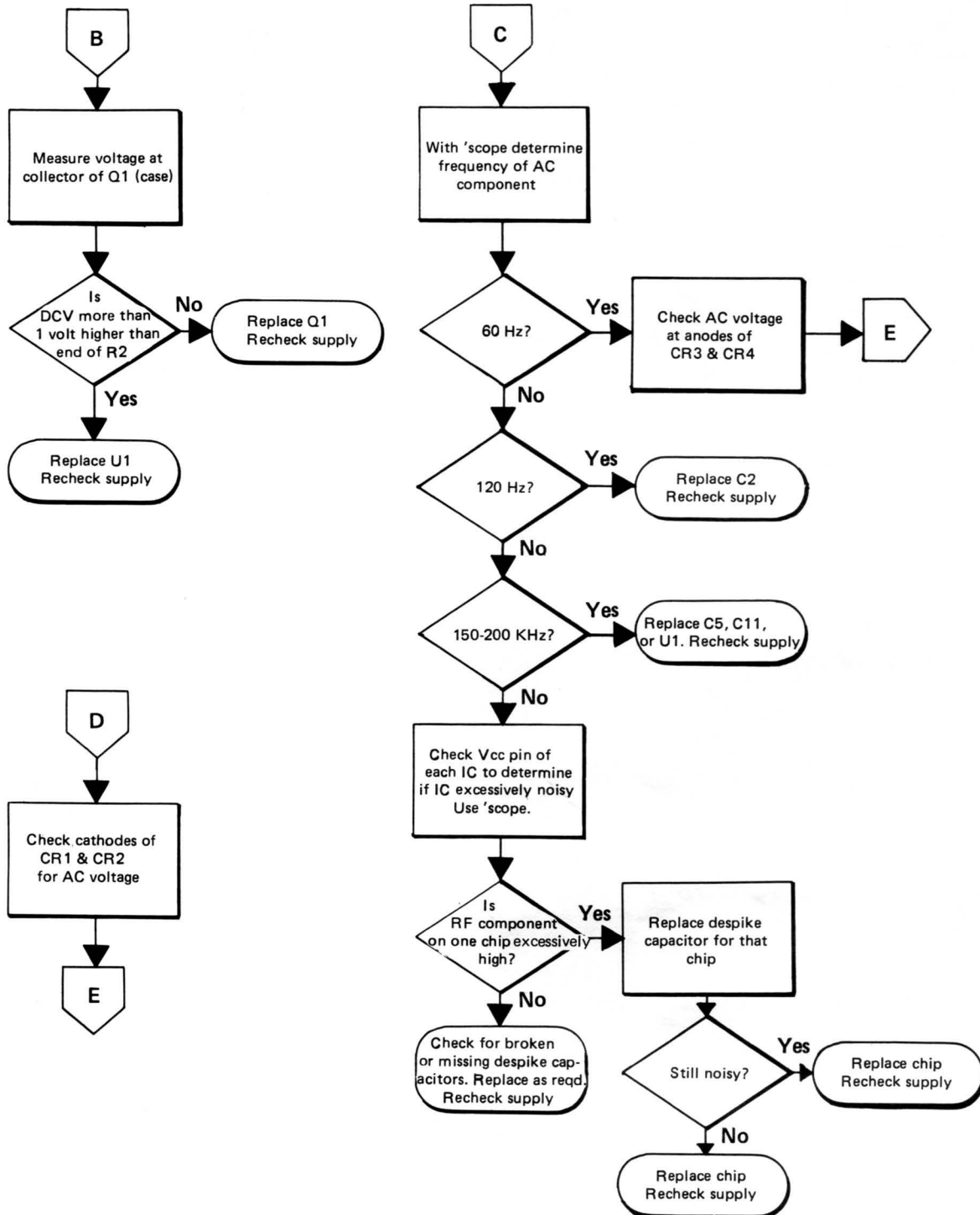
Preliminary:

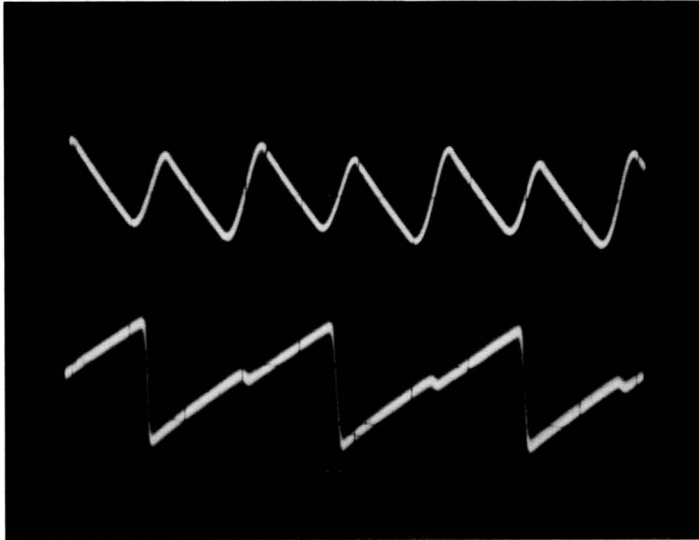
Unplug the Computer. Remove the top case. Connect scope probe ground lead to Computer ground. Connect coax cable from modulator output to TV/Computer switchbox. Connect the 75 ohm twin lead output from switchbox to T.V. Select Channel 3 or 4 as desired on both T.V. and modulator. Plug in computer. Turn on T.V. and Computer.

POWER SUPPLY CHECK (continued)



POWER SUPPLY CHECK (continued)





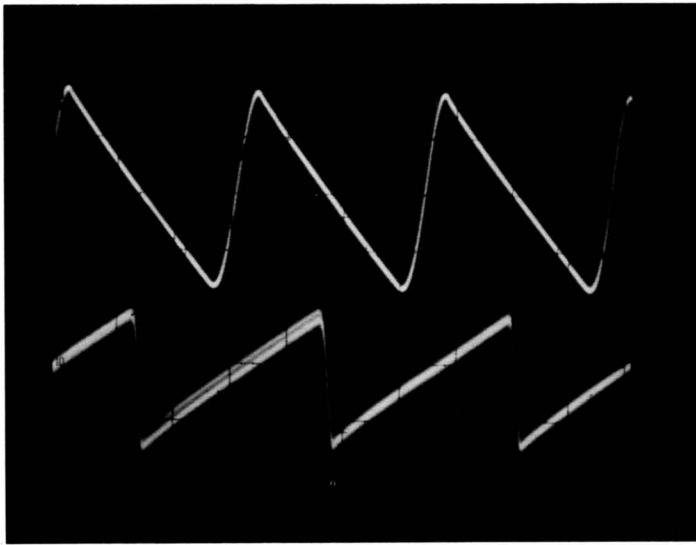
Ch. A - Cathodes of CR3, 4
.5 V/Division
AC Coupled

Ch. B - Anodes of CR1, 2
.2 V/Division
AC Coupled

Horizontal - 5 mSec/Div

Trigger - Internal, Ch. A
Slope Positive

Figure 5-1. Normal Power Supply (120 Hz Ripple)

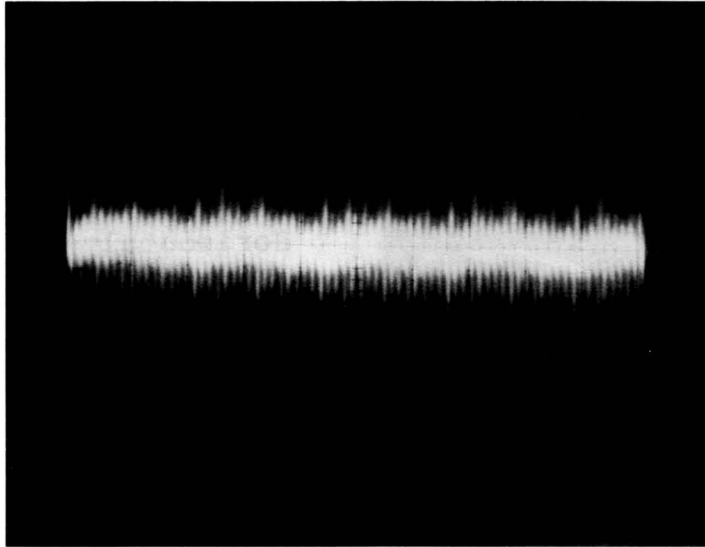


All settings same as above. One transformer lead pulled loose to simulate open diode.

Note that ripple frequency has changed from 120 Hz to 60 Hz, and that ripple has increased from approximately 1 V p-p to 2 V p-p.

Although this computer might appear to function, the regulator transistor gets excessively hot and erratic operation would likely follow.

Figure 5-2. Power Supply (60 Hz Ripple)

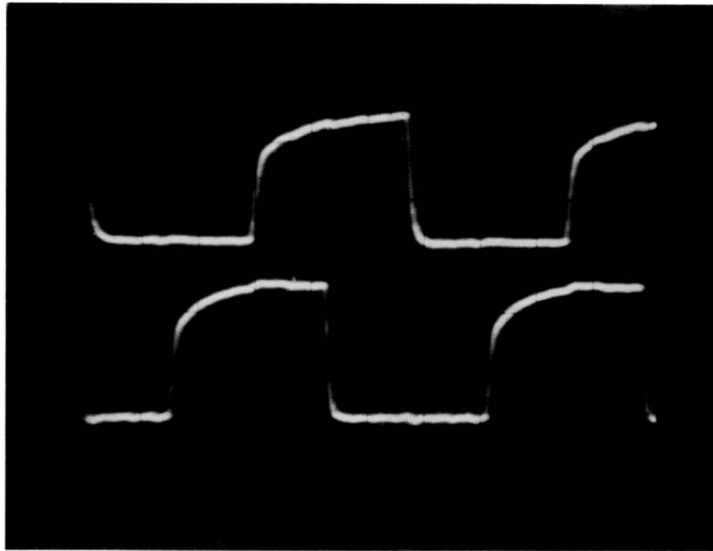


Ch. A - +5V Source (U21-8)
50 mV/Division
AC Coupled

Horizontal - .5 μ Sec/Division

Trigger - Internal, Ch. A

Figure 5-3. High Frequency Component of +5V Source



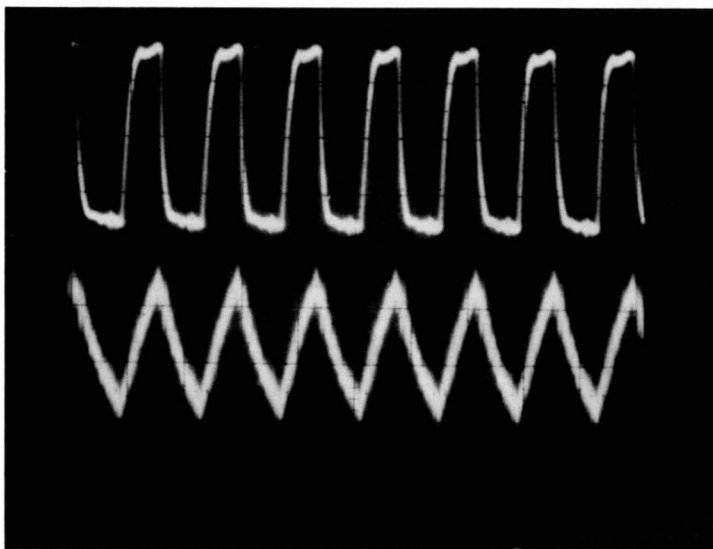
Ch. A - E Clock (top R26)
2V/Division
DC Coupled

Ch. B - Q Clock (top R24)
2V/Division
DC Coupled

Horizontal - .2 μ Sec/Div.

Trigger - Internal, Ch. A
Slope Negative

Figure 5-4. E and Q Clocks



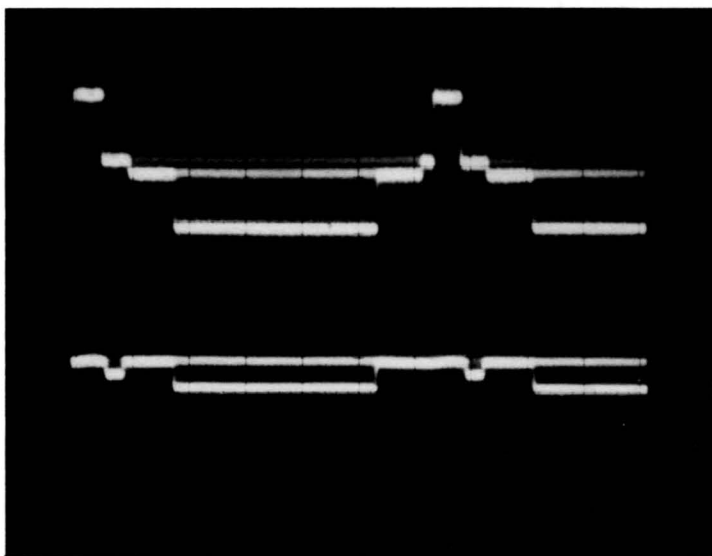
Ch. A - U8 pin 33
1V/Division
DC Coupled

Ch. B - Modulator, pin "A"
50 mV/Division
AC Coupled

Horizontal - .2 μ Sec/Division

Trigger - Internal, Ch. A
Slope Negative

Figure 5-5. VDG Clock (top) and Modulator Clock (bottom)

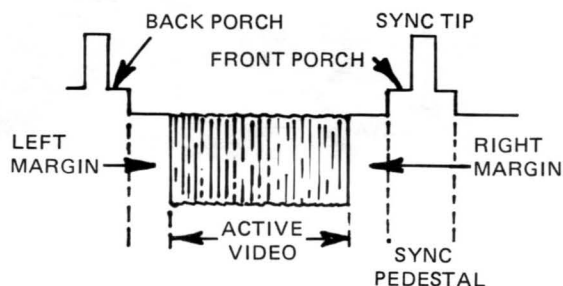


Ch. A - Y (U8 pin 28)
 .2V/Division
 AC Coupled

Ch. B - Phase B (U8 pin 10)
 1V/Division
 DC Coupled

Horizontal - 10 μ Sec/Division

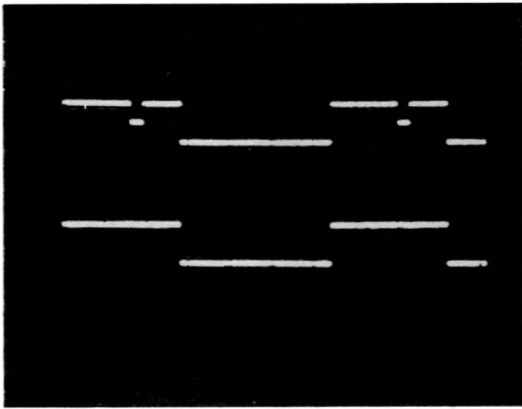
Trigger - Internal, Ch. A
 Slope Positive



Note the dip in the Phase B signal that occurs during back porch time. This unbalances the balanced Modulator inside the 1372 chip (inside the Modulator), causing it to generate the 3.58 MHz Burst Signal for the T.V.

This picture was taken with a standard green screen.

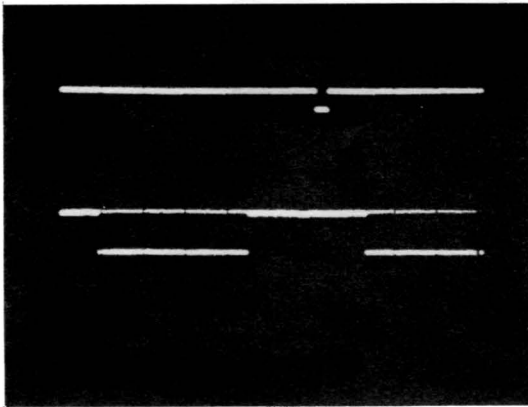
Figure 5-6. Y and Phase B



Ch. A - Phase B, U8-10
 .5V/Division
 DC Coupled
 Ch. B - Phase A, U8-11
 .5V/Division
 DC Coupled
 Horizontal - 10 μ Sec/Division
 Trigger - Internal, Ch. A
 Slope Positive

Green Screen
 10 CLS
 20 GOTO 20

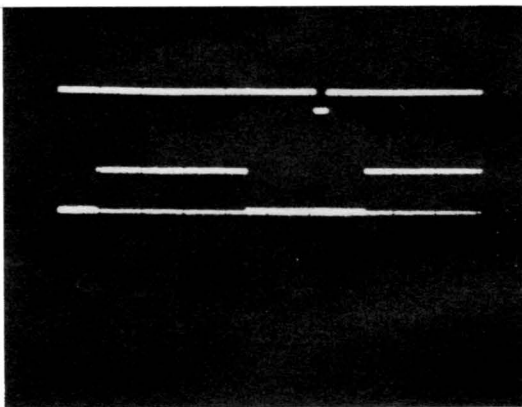
Figure 5-7. Phase B and A Phase Relationships, Green Screen



Settings same as Figure 5-7

Blue Screen
 10 CLS 6
 20 GOTO 20

Figure 5-8. Phase B and A Phase Relationships, Blue Screen



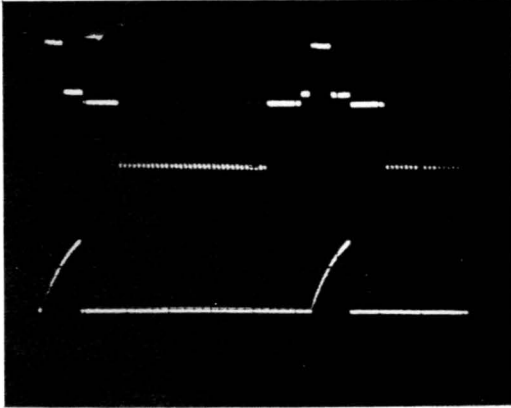
Settings same as Figure 5-7

Red Screen
 10 CLS 4
 20 GOTO 20

Figure 5-9. Phase B and A Phase Relationships, Red Screen

ARTIFACTING SIGNALS

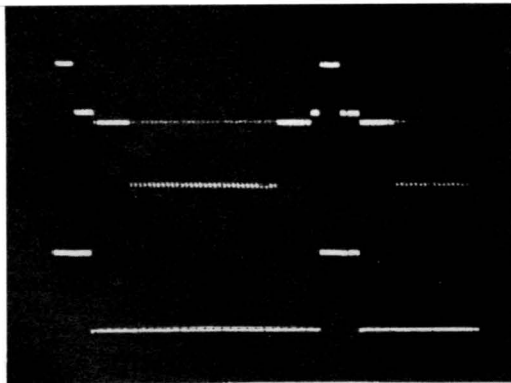
To check, the computer must be in the High-Res mode. To accomplish this, run the following program (pay no attention to garbage on the screen):



```
10 POKE 65314, 24
20 GOTO 20
```

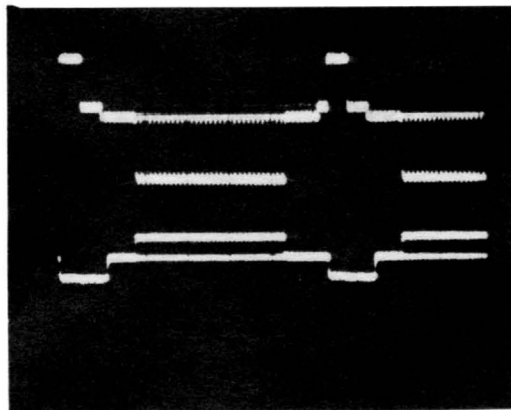
Ch. A - Y (U8 pin 28)
 .2V/Division
 AC Coupled
 Ch. B - U4 pin 6
 2V/Division
 DC Coupled
 Horizontal - 10 μ Sec/Division
 Trigger - Internal, Ch. A
 Slope Positive

Figure 5-10. Artifacting Signals



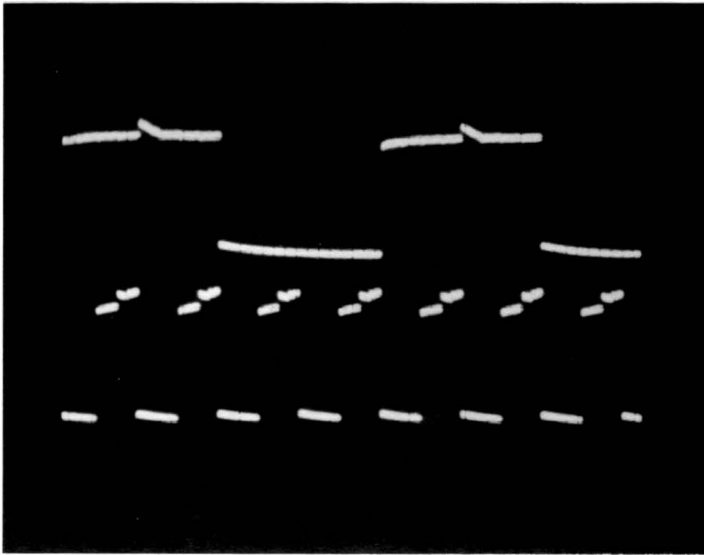
Ch. A - Y (U8 pin 28)
 .2V/Division
 AC Coupled
 Ch. B - U4 pin 5
 2V/Division
 DC Coupled
 Horizontal - 10 μ Sec/Division
 Trigger - Internal, Ch. A
 Slope Positive

Figure 5-11. Artifacting Signals



Ch. A - Y (U8 pin 28)
 .2V/Division
 AC Coupled
 Ch. B - Phase A (U8-11)
 1V/Division
 DC Coupled
 Horizontal - 10 μ Sec/Division
 Trigger - Internal, Ch. A
 Slope Positive

Figure 5-12. Artifacting Signals



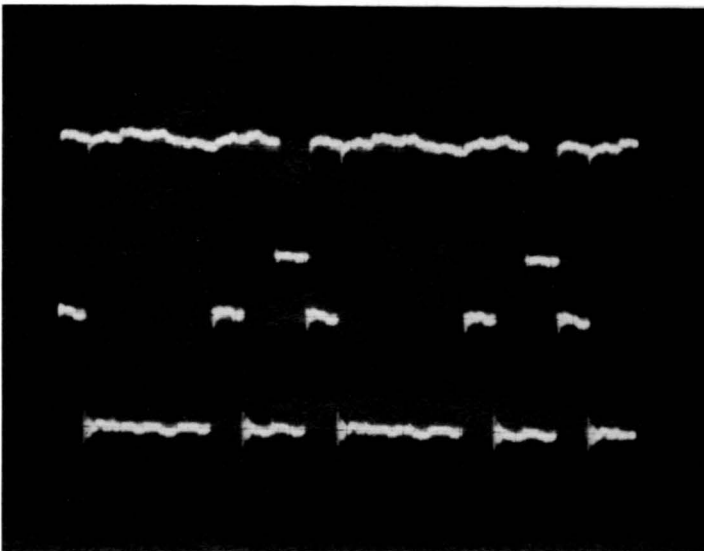
Ch. A - A9 (U23, pin 17)
2V/Division
DC Coupled

Ch. B - A7 (U23, pin 15)
2V/Division
DC Coupled

Horizontal - .2 μ Sec/Div.

Trigger - Internal, Ch. A
Slope Positive

Figure 5-13. Address Lines (typical)



Ch. A - D2 (U23, pin 29)
2V/Division
DC Coupled

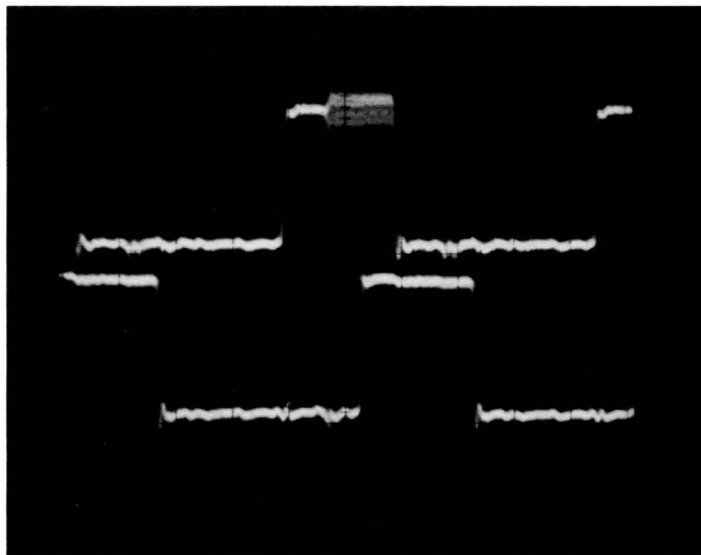
Ch. B - D3 (U23, pin 28)
2V/Division
DC Coupled

Horizontal - .2 μ Sec/Division

Trigger - Internal, Ch. A
Slope Positive

Figure 5-14. Data Lines (typical)

Memory Signals



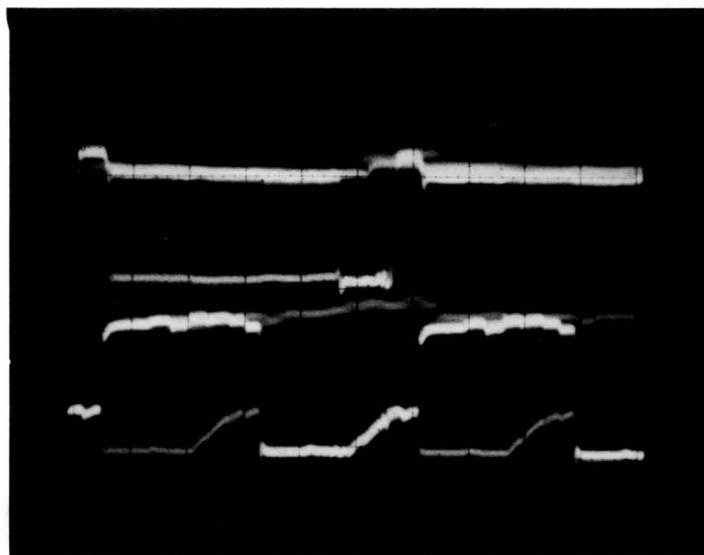
Ch. A - RAS* (U21, pin 4)
2V/Division
DC Coupled

Ch. B - CAS* (U21, pin 15)
2V/Division
DC Coupled

Horizontal - $.1\mu\text{Sec}/\text{Div.}$

Trigger - Internal, Ch. A
Slope Negative

Figure 5-15. RAS* and CAS*



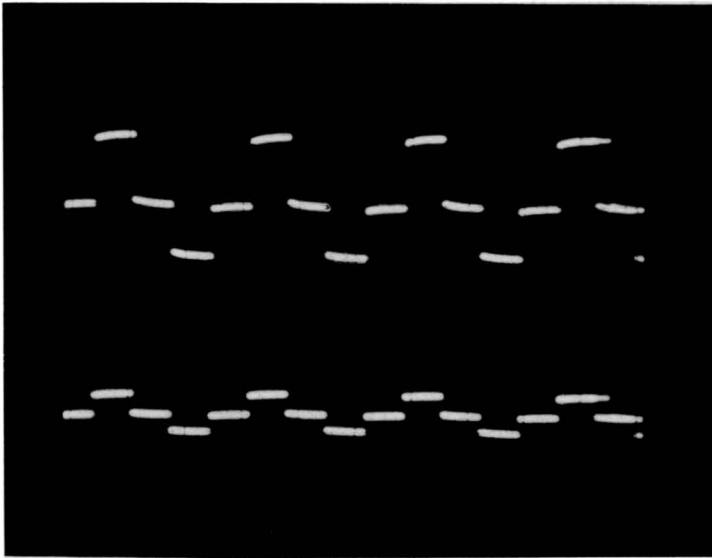
Ch. A - Data In (U21, pin 2)
2V/Division
DC Coupled

Ch. B - Data Out (U21, pin 14)
2V/Division
DC Coupled

Horizontal - $.2\mu\text{Sec}/\text{Division}$

Trigger - Internal, Ch. A

Figure 5-16. Data In and Data Out



Ch. A - Sound Out
(U3, pin 1)
2V/Division
DC Coupled

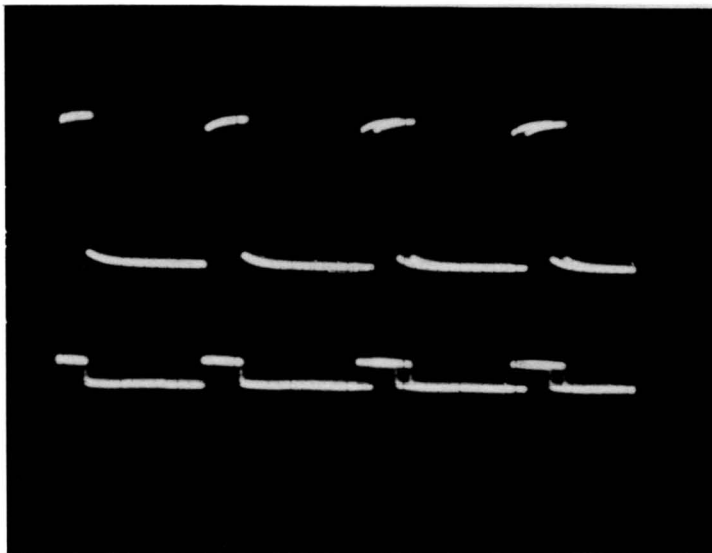
Ch. B - Cassette Out
(J4, pin 5)
2V/Division
DC Coupled

Horizontal - .5 μ Sec/Div.

Trigger - Internal, Ch. A
Slope Positive

10 SOUND 200, 255:GOTO 10

Figure 5-17. Sound and Cassette Output



Ch. A - Cassette Zero Crossing
Detector (U1, pin 7)
2V/Division
DC Coupled

Ch. B - Cassette Input (J4 pin 4)
.5V/Division
DC Coupled

Horizontal - .5 μ Sec/Division

Trigger - Internal, Ch. B
Slope Positive

Note: The Cassette Output signal (J4-5) is coupled back to the Cassette Input signal (J4-4) through a 10 μ F non-polarized capacitor. The same program as above must be executed.

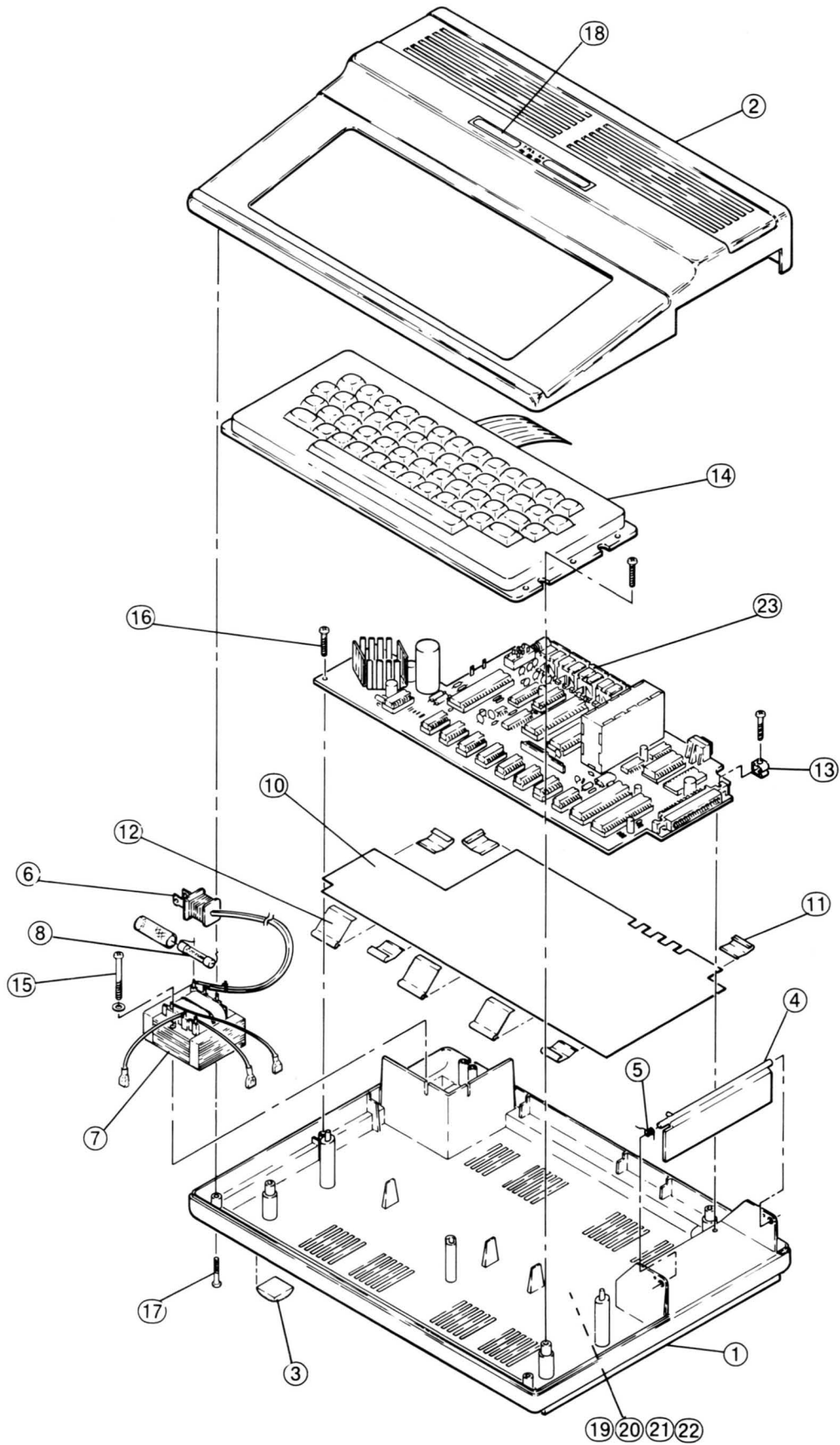
Figure 5-18. Cassette Zero Crossing Detector

6/ Exploded View/Parts List

Contained in this section of the manual is the exploded view and parts list for the Color Computer 2.

The standard BASIC unit is Catalog Number 26-3026 and does not contain IC U13. U13 is used only for the Extended BASIC version of the Color Computer 2.

The parts listing for the main PCB reflects this difference. Be sure to specify the correct board number if ordering a complete board assembly.



Exploded View, Color Computer 2, 26-3026/7

Radio Shack®

Parts List, Color Computer 2, #26-3026 (Standard Basic)
or #26-3027 (Extended Basic)

Item	Qty	Description	Part Number
1	1	Case, Bottom	8719311
2	1	Case, Top	8719312
3	4	Feet, Rubber	8719123
4	1	Door, Cartridge	8719284
5	1	Spring, Cartridge	8739012
6	1	Cord, Power	8709423
7	1	Transformer, Power (T1)	8790052
8	1	Fuse, 300 mA, Slo-Blo (F1)	8479020
9	3	Jumper Wire	8432019
10	1	Shield, Bottom RFI	8539037
11	6	Clip, RFI Shield	8729238
12	3	Clip, Keyboard	8729239
13	2	Clip, RFI 40-Pin Connector	8729078
14	1	Keyboard Assembly	8790529
15	2	Screw, #6-19 x 1-1/2" (Xfmr)	8569086
16	3	Screw, #4-19 x 5/8" (PCB)	8569193
17	6	Screw, #6-19 x 3/4" (Case)	8569185
18	1	Logo, Radio Shack CC2	8719324
19	1	Label, Serial/UL	8789964
20	1	Label, Tamper	8789090
21	1	Label, FCC ID	8789961
			or
		(on 26-3027 Model only)	8789100
22	1	Label, UL Double Insulated	
23	1	Logic Board Assembly	8857625
			or
		(on 26-3027 Model only)	8857636

RADIO SHACK, A DIVISION OF TANDY CORPORATION

**U.S.A.: FORT WORTH, TEXAS 76102
CANADA: BARRIE, ONTARIO L4M 4W5**

TANDY CORPORATION

AUSTRALIA

91 KURRAJONG AVENUE
MOUNT DRUITT, N.S.W. 2770

BELGIUM

PARC INDUSTRIEL DE NANINNE
5140 NANINNE

U. K.

BILSTON ROAD WEDNESBURY
WEST MIDLANDS WS10 7JN