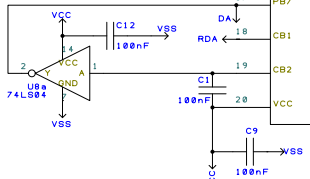
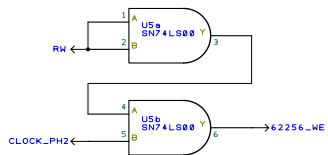
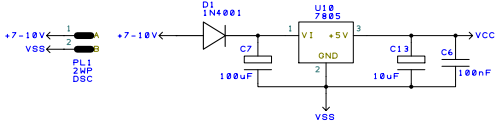


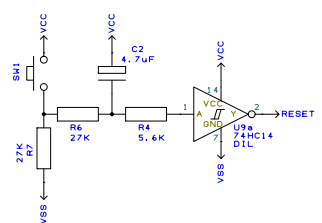
Write RAM on PH2 clock



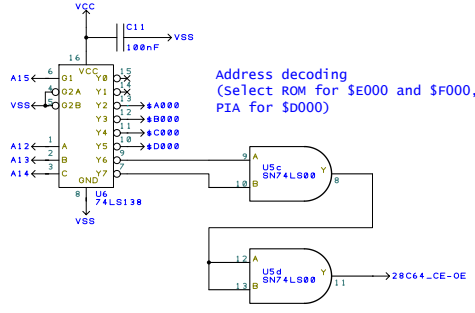
Power input



Reset circuit



Address decoding (Select ROM for \$E000 and \$F000, PIA for \$D000)



Apple 1 Replica
 Revision 1
 Last updated on July 20th 2017
 Ruud van Falier