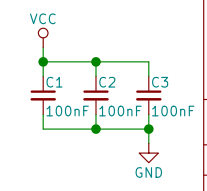
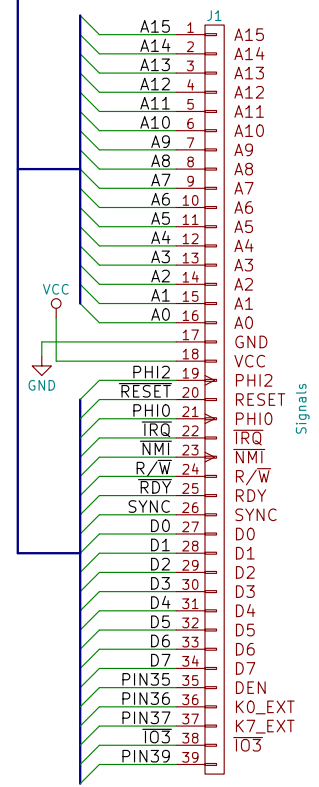
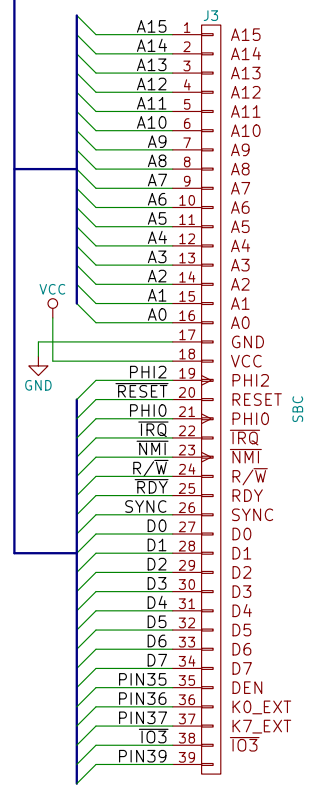
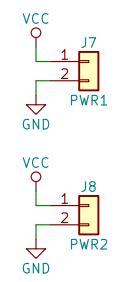
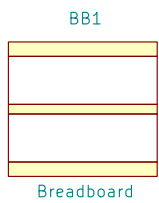
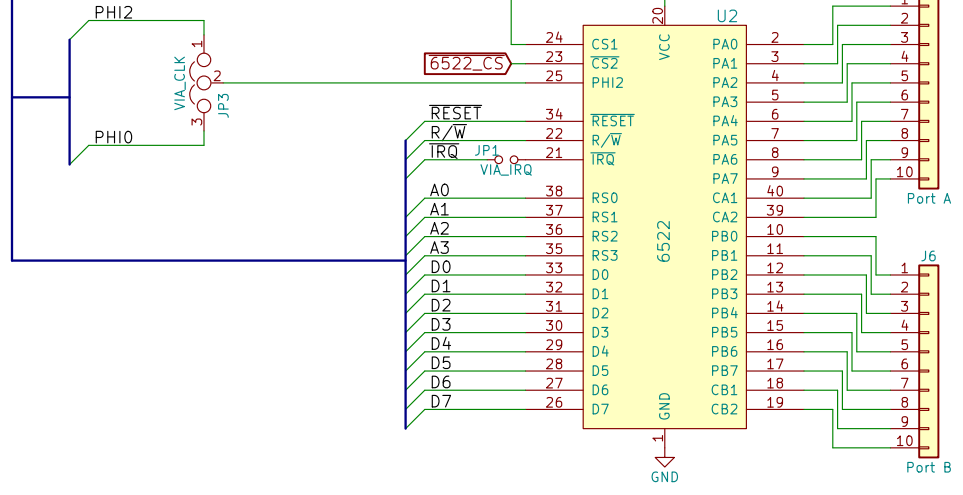


6522 clock selection jumper, solder a link from 1-2 for most 6502-based computers. 2-3 for 6800-based CPUs.



After building a few things on breadboards with a microcontroller, I wanted to do the same with the computer instead so I created this as an easy work-surface to do those kind of things. This platform board has been adapted for use with my 6502 and 68xx-based SBCs.

Sheet: /  
 File: 6502 Project Board.sch  
**Title: 6502 Project Board**  
 Size: A3 Date:   
 KiCad E.D.A. kicad 4.0.7 Rev: A  
 Id: 1/1