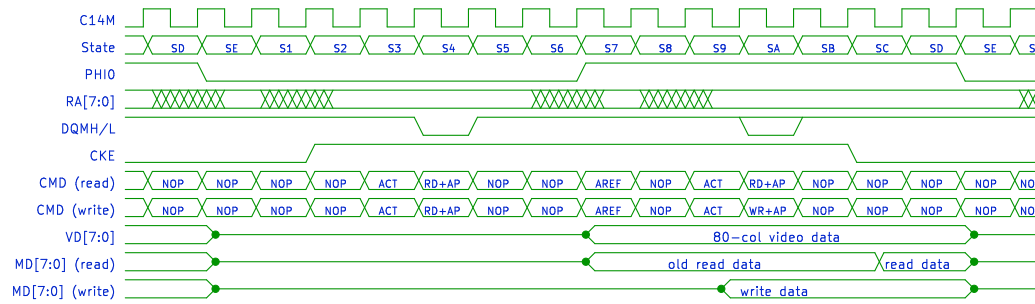


Sheet: Docs  
File: Docs.sch

**Garrett's Workshop**  
 Sheet: /  
 File: RAM2E.sch  
**Title: RAM2E II**  
 Size: USLetter Date: 2020-07-25  
 KiCad E.D.A. kicad (5.1.5-0-10\_14)  
 Rev: 1.0  
 Id: 1/2

Video Access

6502 CPU Access



Information may be out of date. See ./cpld/RAM2E.v

**Garrett's Workshop**

Sheet: /Docs/  
File: Docs.sch

**Title: RAM2E II**

Size: A4 Date: 2020-07-25  
KiCad E.D.A. kicad (5.1.5-0-10\_14)

**Rev: 1.0**  
Id: 2/2