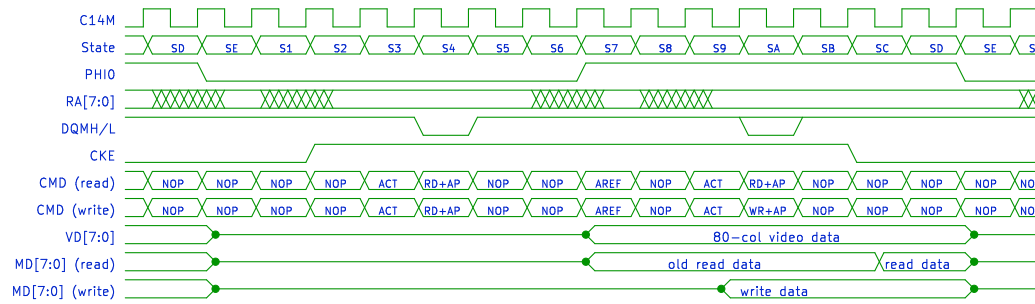


Video Access

6502 CPU Access



Information may be out of date. See ./cpld/RAM2E.v

Garrett's Workshop

Sheet: /Docs/
File: Docs.sch

Title: GW4203B (RAM2E II)

Size: A4 Date: 2020-08-04
KiCad E.D.A. kicad (5.1.5-0-10_14)

Rev: 1.1
Id: 2/2