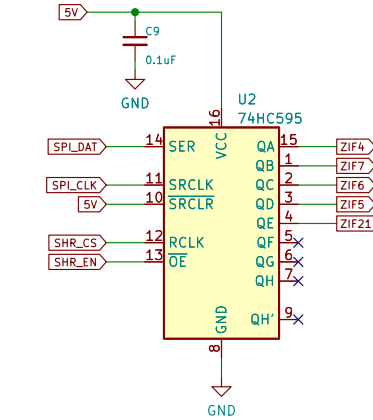
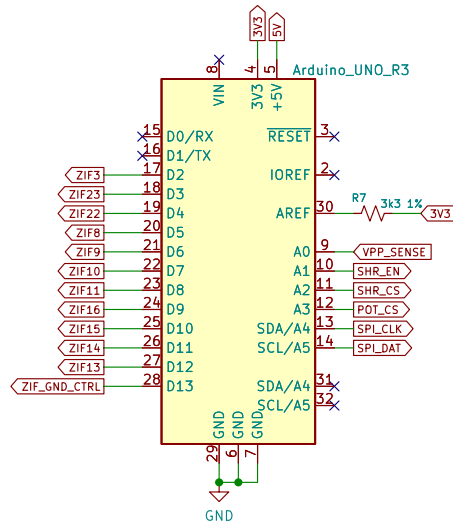
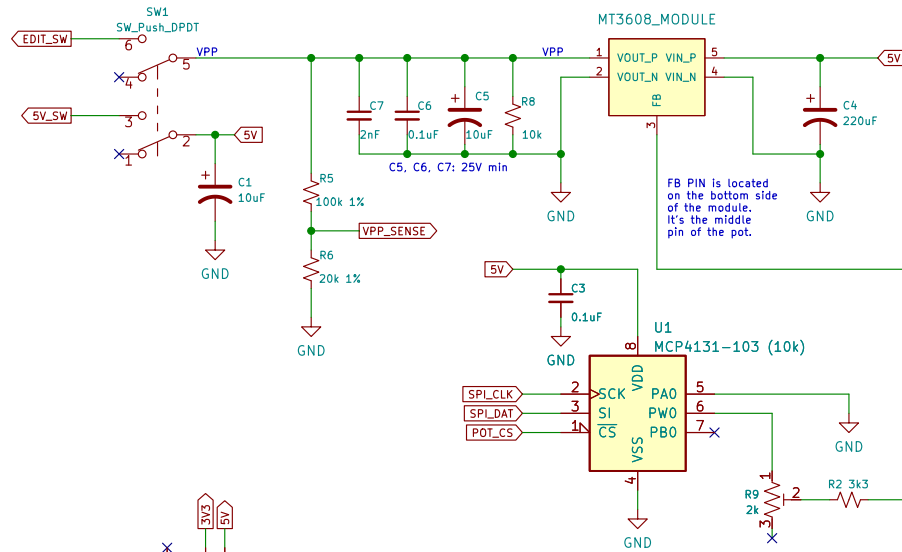


ZIF SOCKET PIN MAP

PIN	22V10	20V8	16V8
1	EDIT	EDIT	EDIT
2	PV	RA1	RA1
3	RA0	RA2	RA2
4	RA1	RA3	RA3
5	RA2	-	RA4
6	RA3	-	RA5
7	RA4	RA4	SCLK
8	RA5	RA5	DIN
9	SCLK	SCLK	GND
10	DIN	DIN	-
11	GND	GND	-
12	STR	STR	-
13	DOUT	-	-
14	-	DOUT	STR
15	-	-	DOUT
16	-	-	-
17	-	-	-
18	-	-	-
19	-	-	-
20	-	-	-
21	-	RA0	RA0
22	-	PV	PV
23	-	-	-
24	VCC	VCC	VCC



Sheet: /  
File: afterburner.kicad\_sch

**Title: Afterburner**

Date: 2023-03-19

Rev: 3.0

Id: 1/1