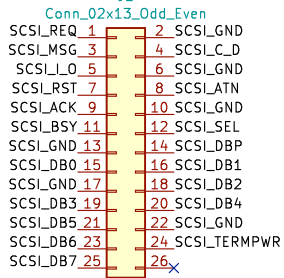
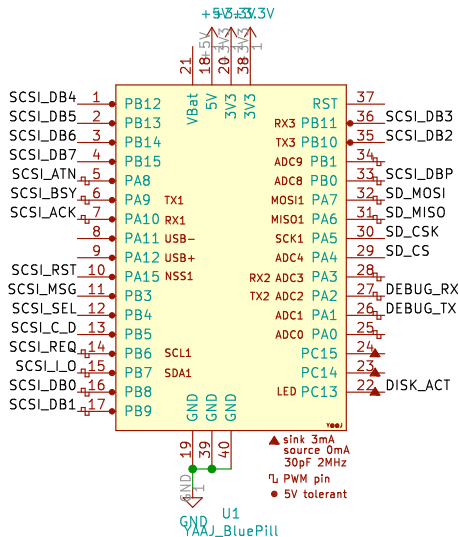
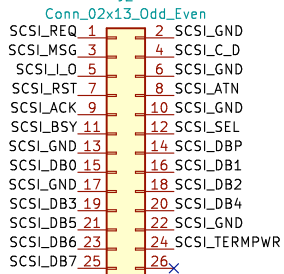


In from Apple Rev. C SCSI card

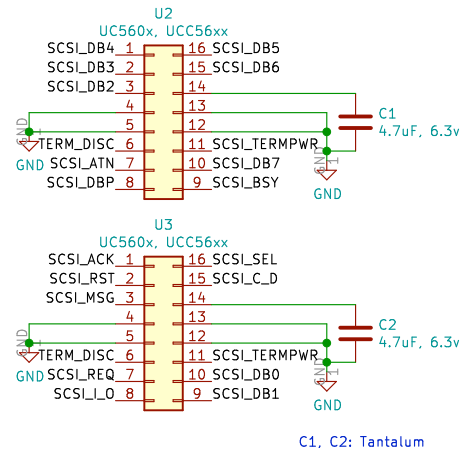


Out to DB-25 rear connector



Termination ICs

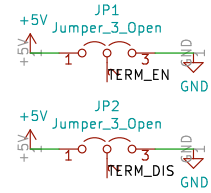
Compatible ICs:
UC5603, UC5604, UC5605, UCC5606, and UCC5612



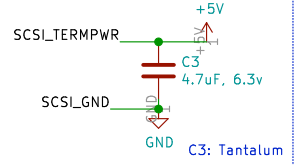
JP1, JP2 set the logic level for TERM_DISC signal

UC5605, UCC5606, UCC5612:
Termination disabled when TERM_DISC pulled LOW

UC5603, UC5604:
Termination disables with TERM_DISC pulled HIGH (to TERMPWR)



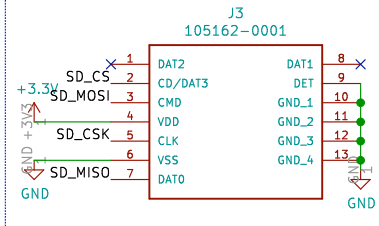
TERMPWR Decoupling



Termination Enabled/Disabled Switch

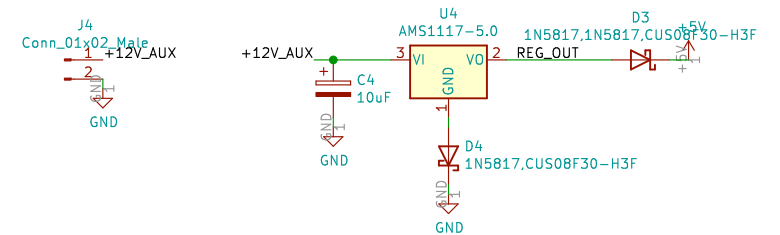


MicroSD card slot
Molex 105162-0001

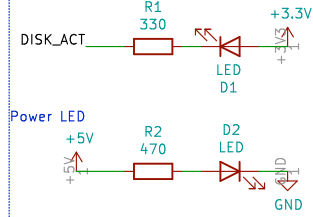


Auxiliary 12V power from IIGs fan connector in case TERMPWR is not available

Reverse-protected via D3.
D4 boosts the output of regulator U4 to compensate for voltage drop of D3.



Disk Activity LED, active low



- H1 MountingHole
- H2 MountingHole

Sheet: /
File: bluescsi_iigs_internal.sch

Title: Internal BlueSCSI for Apple IIGs and //e

Size: A4
KiCad E.D.A. kicad (5.1.8-0-10_14)

Date:
Rev: v1.2
Id: 1/1