

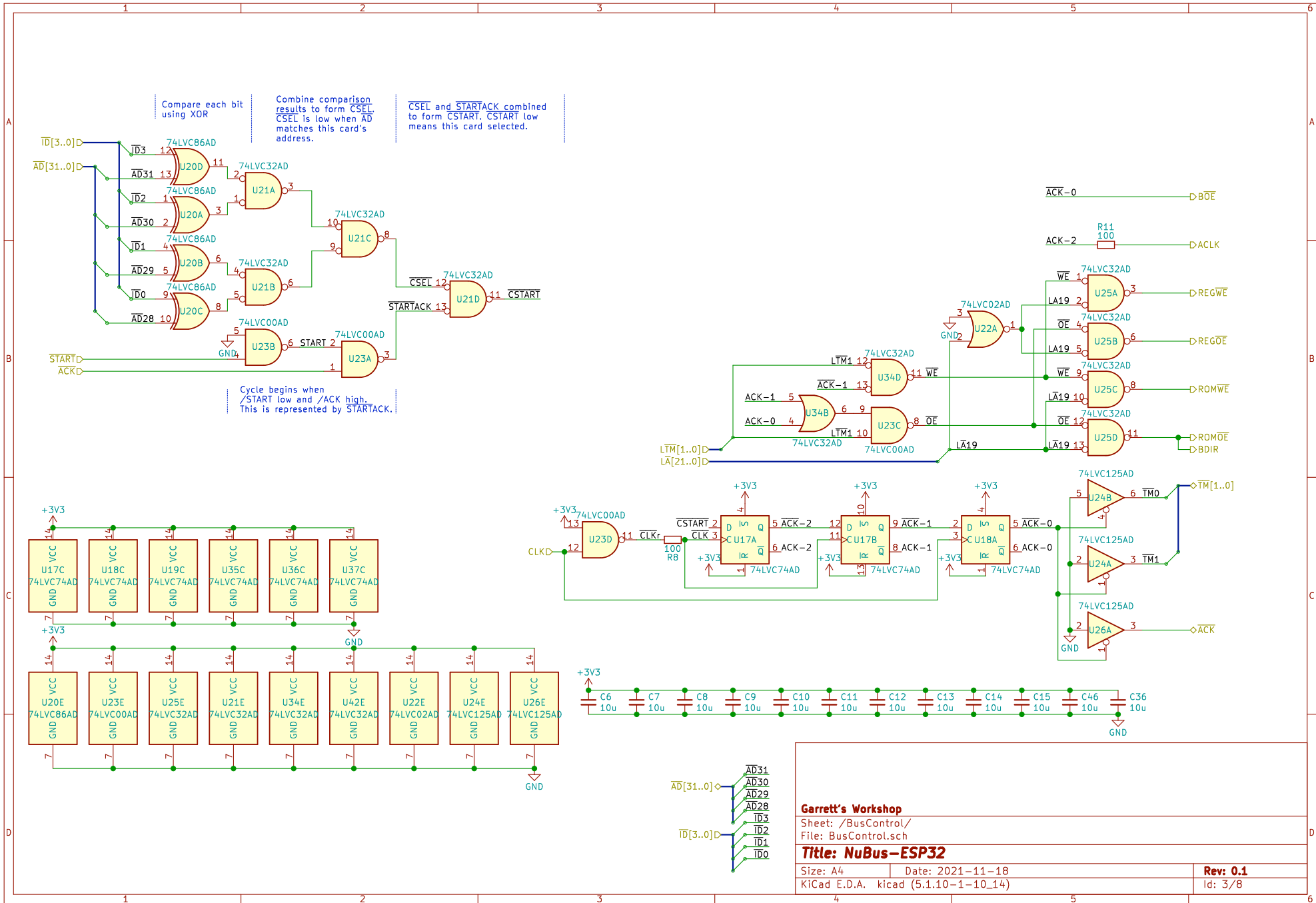
Garrett's Workshop

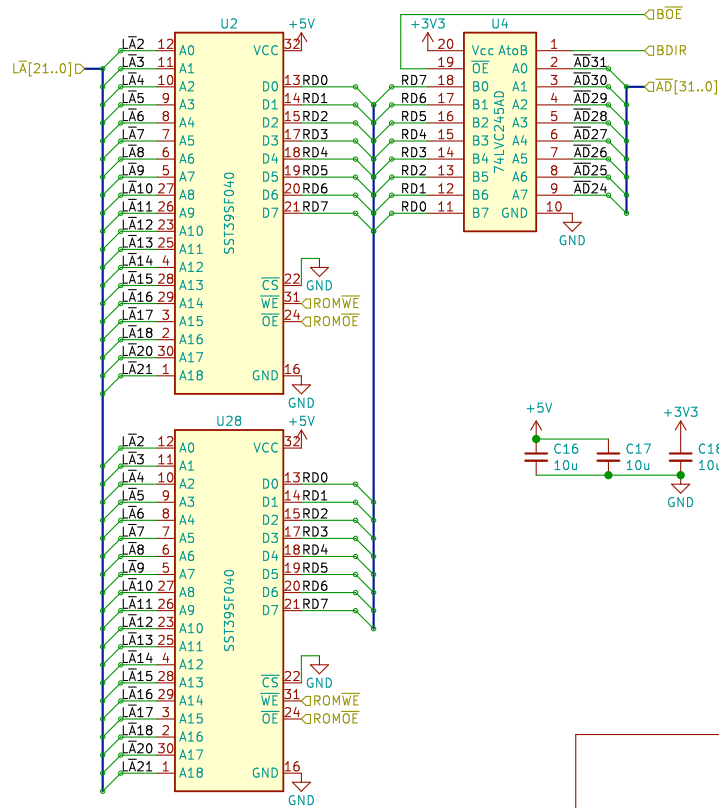
Sheet: /
File: NuBus-ESP32.sch

Title: NuBus-ESP32

Size: A4 Date: 2021-11-18
KICad E.D.A. kicad (5.1.10-1-10_14)

Rev: 0.1
Id: 1/8





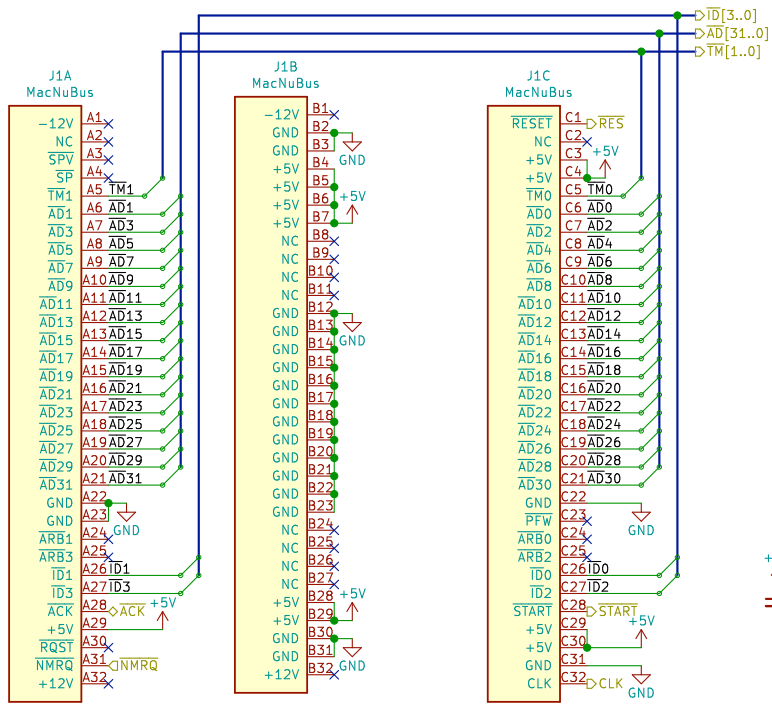
Garrett's Workshop

Sheet: /ROM/
File: ROM.sch

Title: NuBus-ESP32

Size: A4 Date: 2021-11-18
KICad E.D.A. kicad (5.1.10-1-10_14)

Rev: 0.1
Id: 4/8



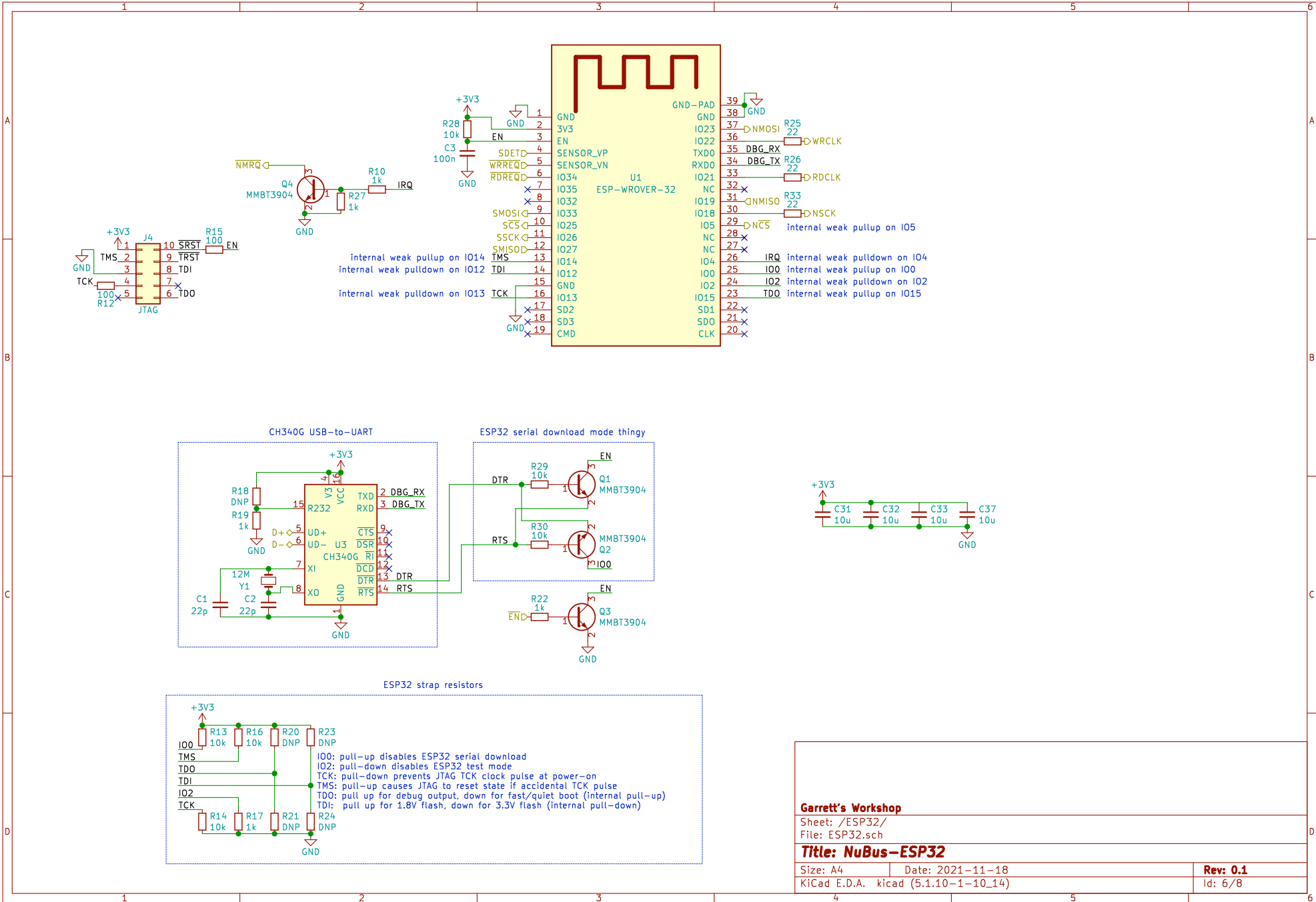
Garrett's Workshop

Sheet: /NuBus/
File: NuBus.sch

Title: NuBus-ESP32

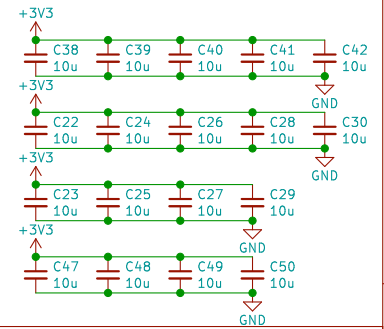
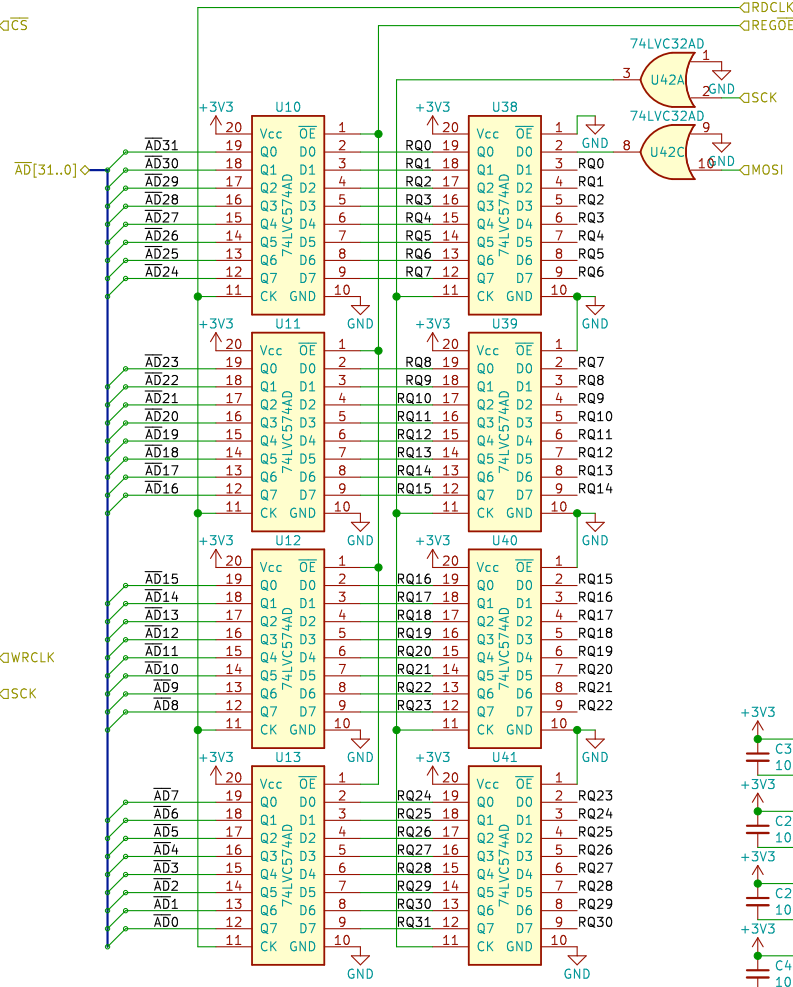
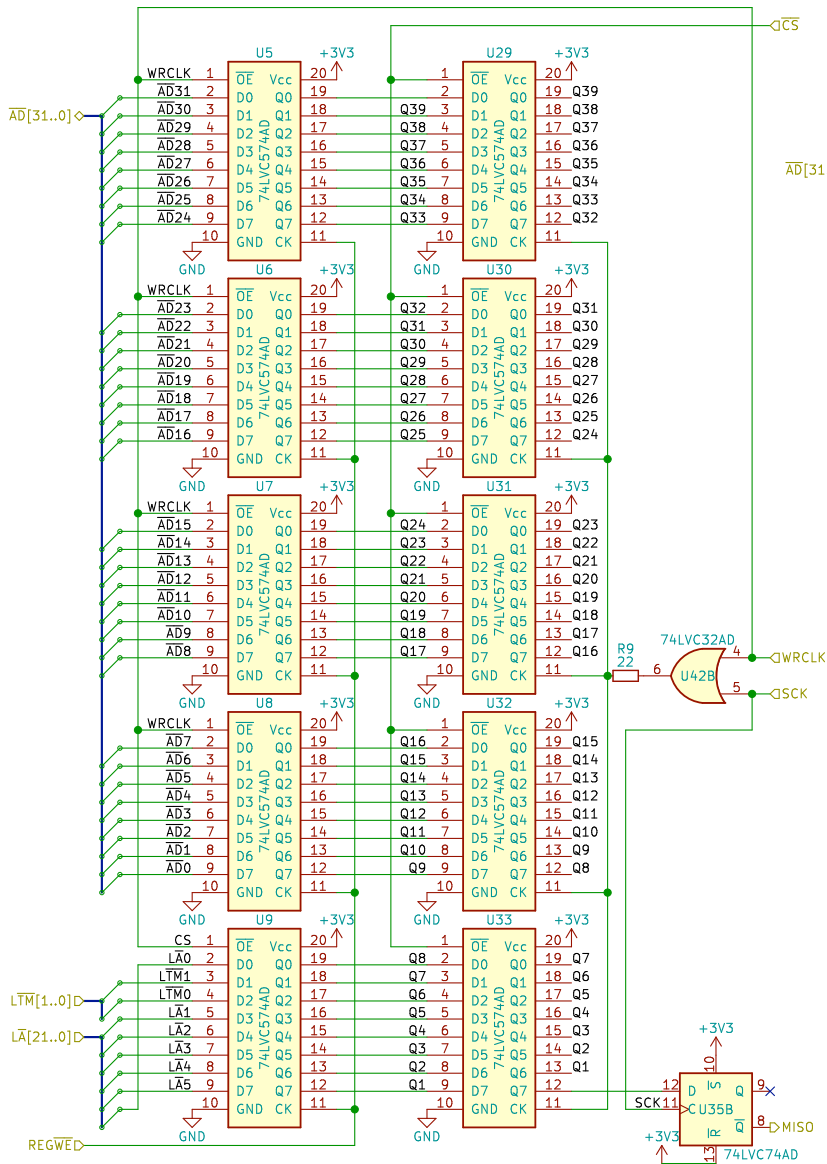
Size: A4 Date: 2021-11-18
KICad E.D.A. kicad (5.1.10-1-10_14)

Rev: 0.1
Id: 5/8



Mac-to-ESP32 registers

ESP32-to-Mac registers



Garrett's Workshop

Sheet: /DataReg/

File: DataReg.sch

Title: NuBus-ESP32

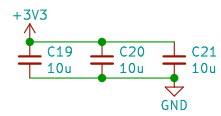
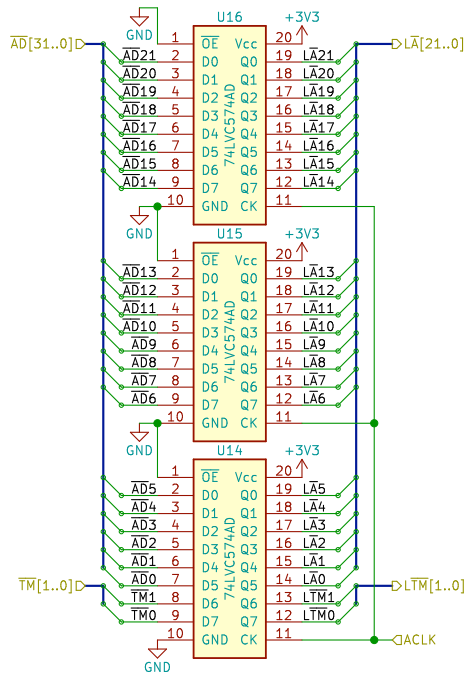
Size: A4

Date: 2021-11-18

Rev: 0.1

KiCad E.D.A. kicad (5.1.10-1-10_14)

Id: 7/8



Garrett's Workshop

Sheet: /AddrLatch/
File: AddrLatch.sch

Title: NuBus-ESP32

Size: A4 Date: 2021-11-18
KiCad E.D.A. kicad (5.1.10-1-10_14)

Rev: 0.1
Id: 8/8