

Garrett's Workshop

Sheet: /PDS/  
File: PDS.kicad\_sch

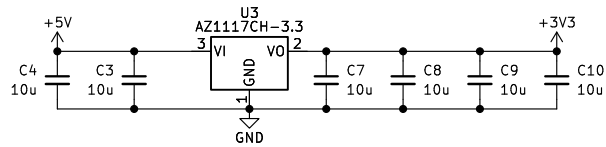
**Title: WarpSE (GW4410A)**

Size: A4 Date: 2024-03-27

KiCad E.D.A. kicad-cli 7.0.10

Rev: 1.0

Id: 2/10



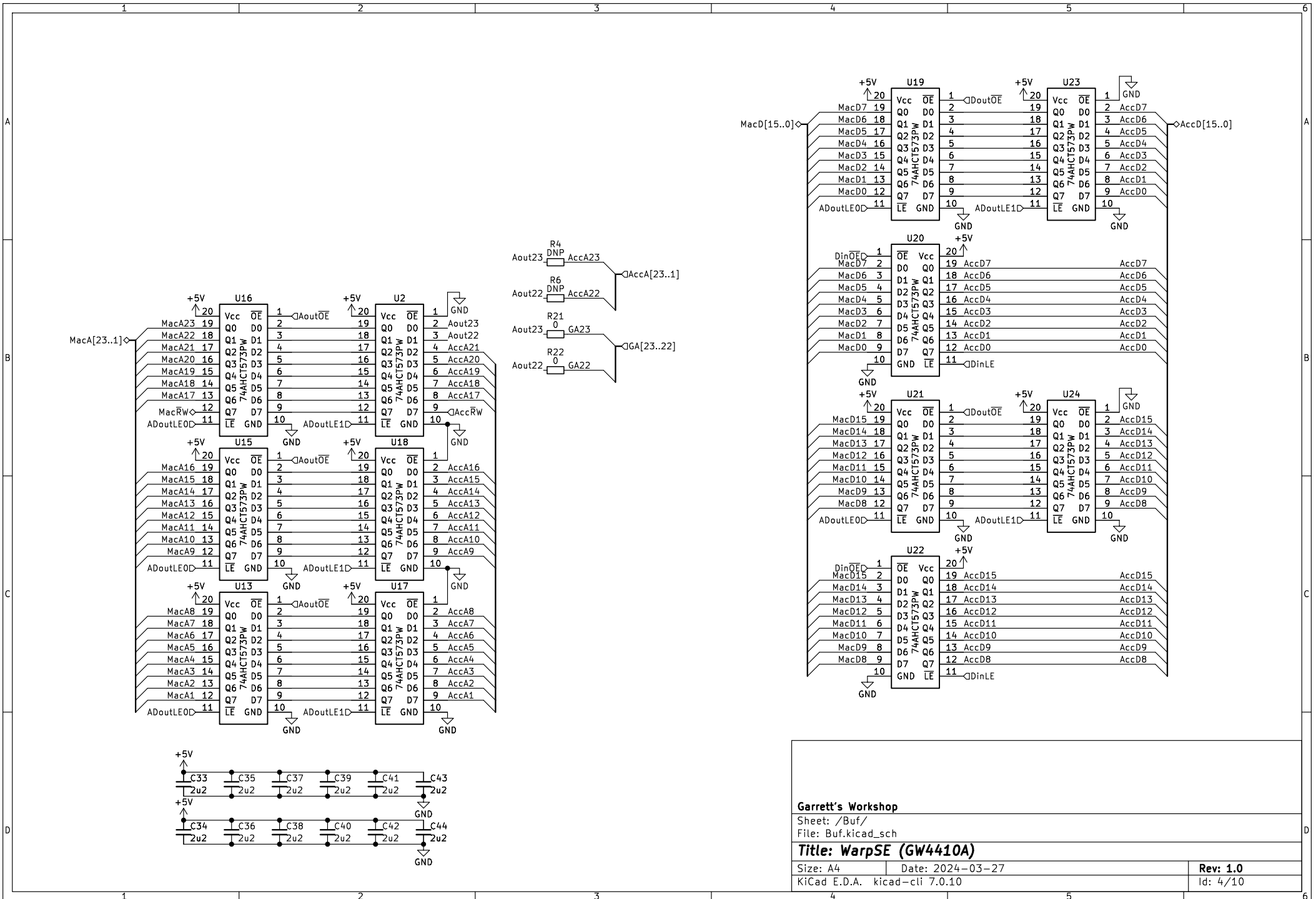
Garrett's Workshop

Sheet: /Power/  
File: Power.kicad\_sch

**Title: WarpSE (GW4410A)**

Size: A4 Date: 2024-03-27  
KiCad E.D.A. kicad-cli 7.0.10

Rev: 1.0  
Id: 3/10



Garrett's Workshop

Sheet: /Buf/  
File: Buf.kicad\_sch

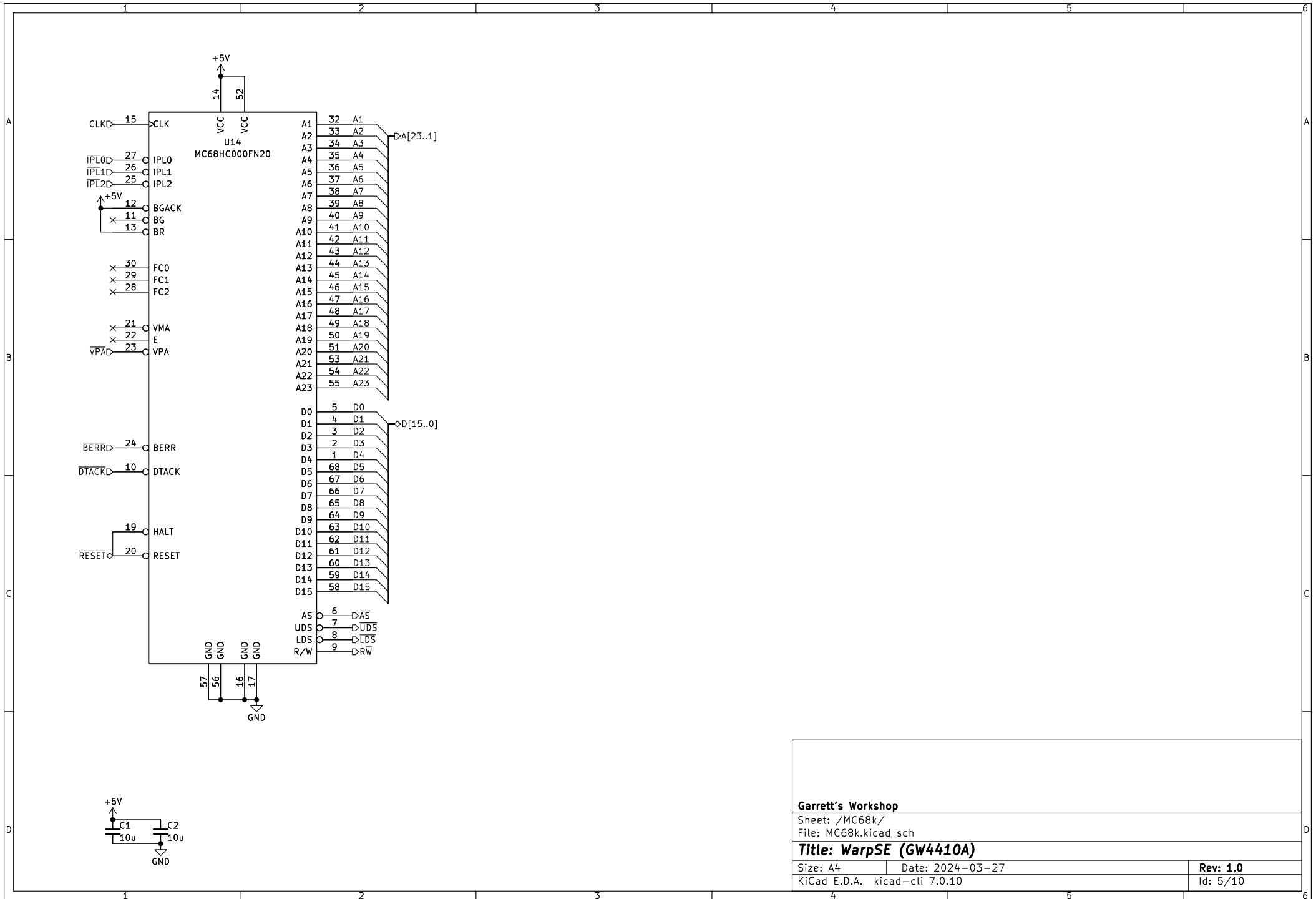
**Title: WarpSE (GW4410A)**

Size: A4 Date: 2024-03-27

KiCad E.D.A. kicad-cli 7.0.10

Rev: 1.0

Id: 4/10



Garrett's Workshop

Sheet: /MC68k/

File: MC68k.kicad\_sch

**Title: WarpSE (GW4410A)**

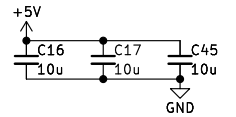
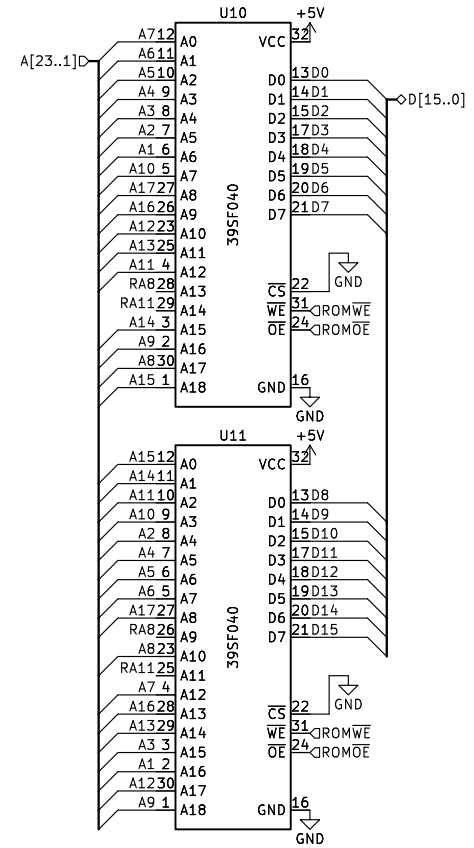
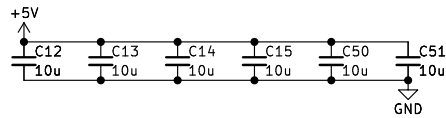
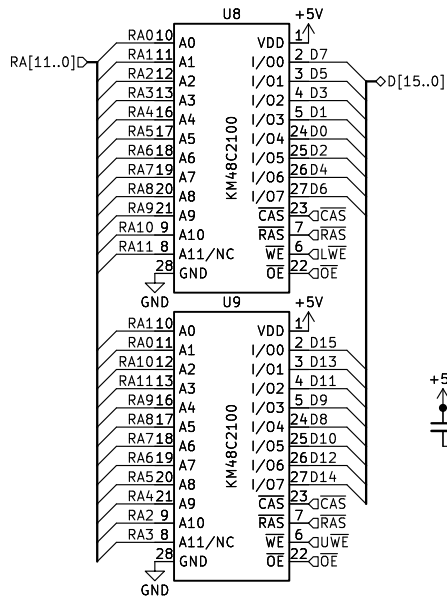
Size: A4

Date: 2024-03-27

Rev: 1.0

KiCad E.D.A. kicad-cli 7.0.10

Id: 5/10



Garrett's Workshop

Sheet: /RAMROM/  
 File: RAMROM.kicad\_sch

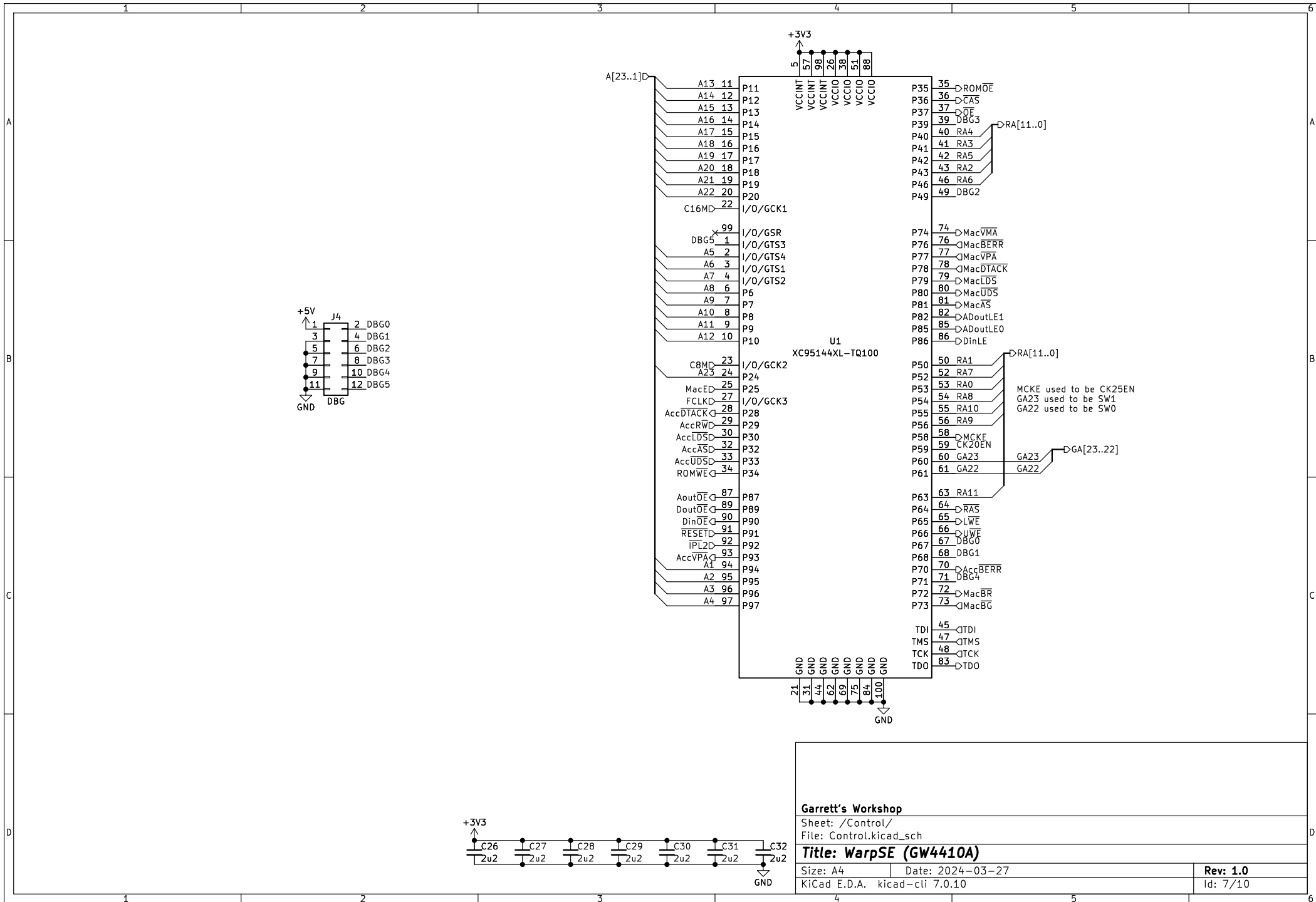
Title: WarpSE (GW4410A)

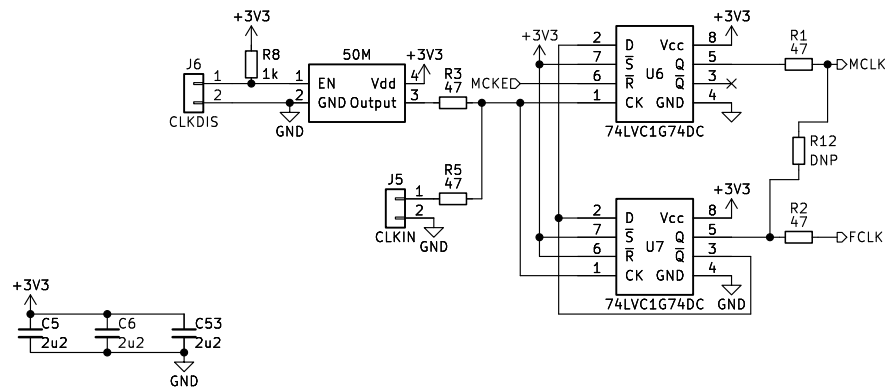
Size: A4 Date: 2024-03-27

KiCad E.D.A. kicad-cli 7.0.10

Rev: 1.0

Id: 6/10





**Garrett's Workshop**

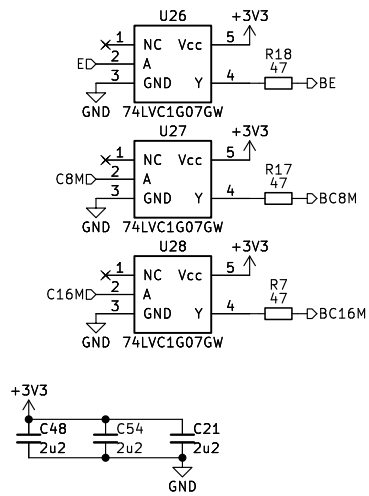
Sheet: /Clk.sch/  
File: Clk.kicad\_sch

**Title: WarpSE (GW4410A)**

Size: A4 Date: 2024-03-27  
KiCad E.D.A. kicad-cli 7.0.10

**Rev: 1.0**  
Id: 8/10





Garrett's Workshop

Sheet: /ClkBuf/

File: ClkBuf.kicad\_sch

**Title: WarpSE (GW4410A)**

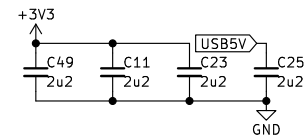
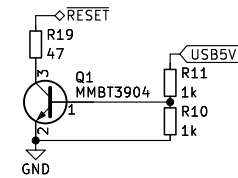
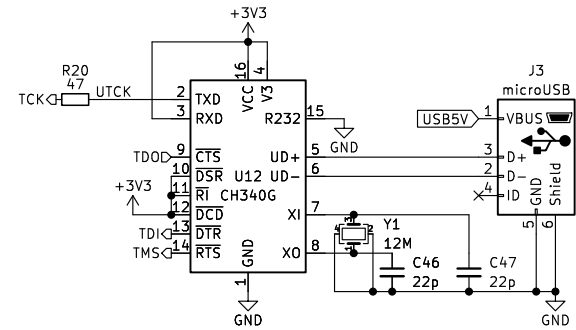
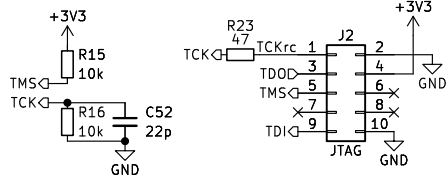
Size: A4

Date: 2024-03-27

Rev: 1.0

KiCad E.D.A. kicad-cli 7.0.10

Id: 10/10



Garrett's Workshop

Sheet: /Prog/  
File: Prog.kicad\_sch

**Title: WarpSE (GW4410A)**

Size: A4 Date: 2024-03-27

KiCad E.D.A. kicad-cli 7.0.10

**Rev: 1.0**

Id: 10/10