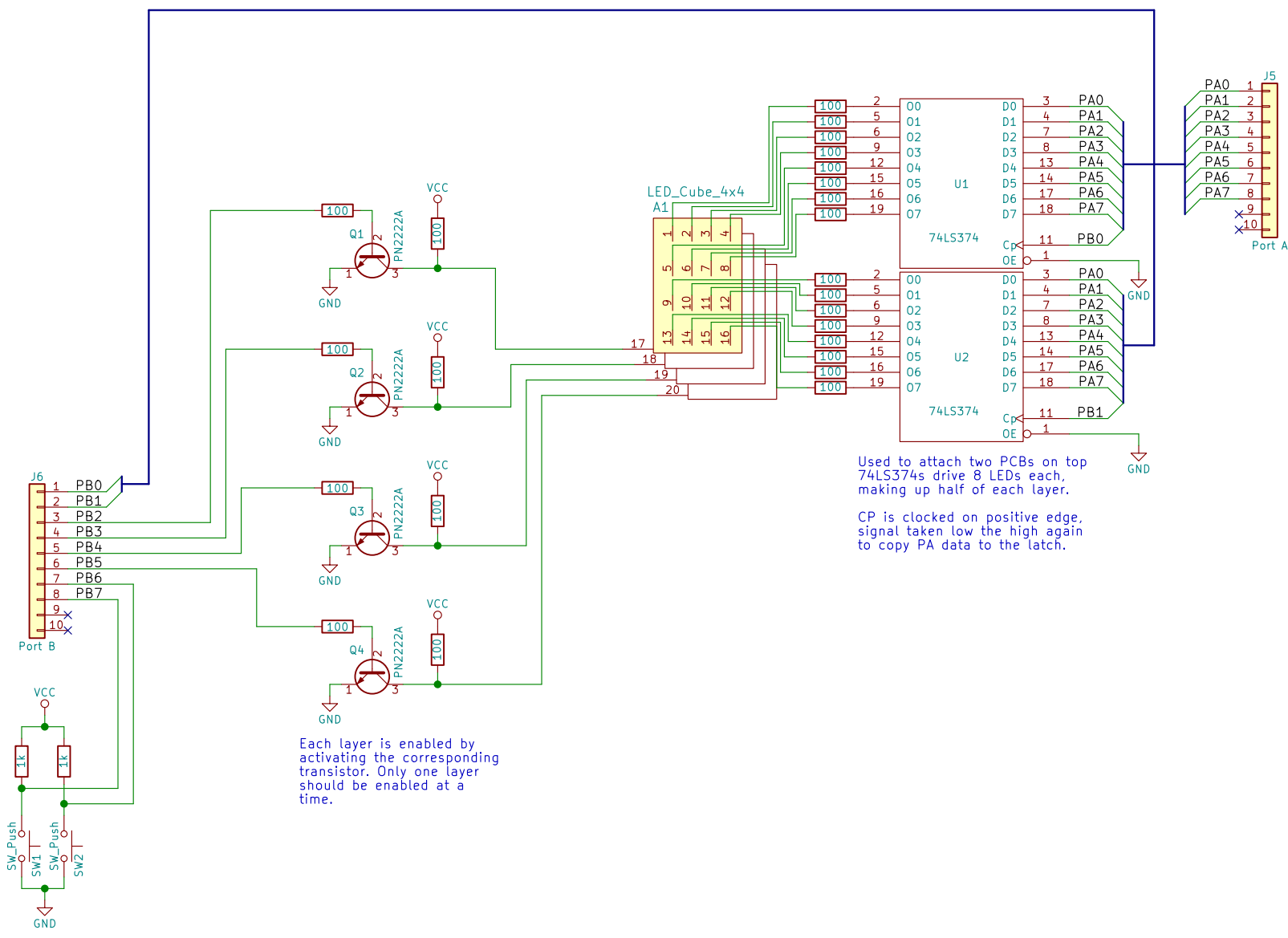
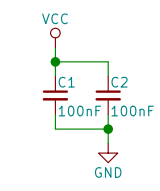
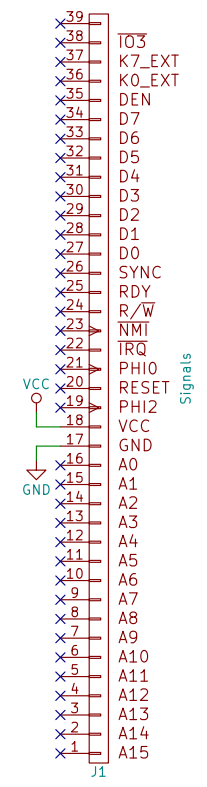


Used to attach two PCBs on top of the other to serve as guides for the vertical rods. Hex standoffs used between them.



Each layer is enabled by activating the corresponding transistor. Only one layer should be enabled at a time.

Used to attach two PCBs on top of 74LS374s drive 8 LEDs each, making up half of each layer.  
CP is clocked on positive edge, signal taken low the high again to copy PA data to the latch.



A 4x4 LED Cube with integrated template, created for slotting on top of the RC-ONE Project Board. As a cube it's rather small, but given that it already contains 64 individual LEDs I believe it's a manageable yet fun project.

Each layer is constructed separately on the reverse side with 0.5mm diameter metal bars for the anodes. Layers are then moved to the front and stacked.

Sheet: /  
File: PB LED Cube.sch

**Title:** PB LED Cube 4x4

Size: A3	Date:	Rev: A
KiCad E.D.A. kicad 4.0.7		Id: 1/1