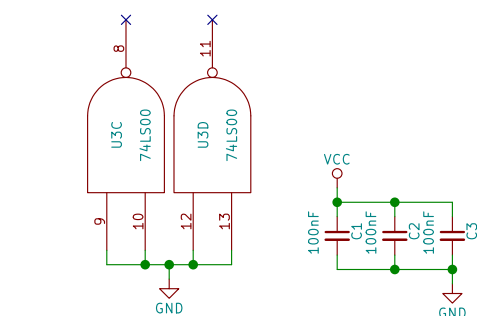
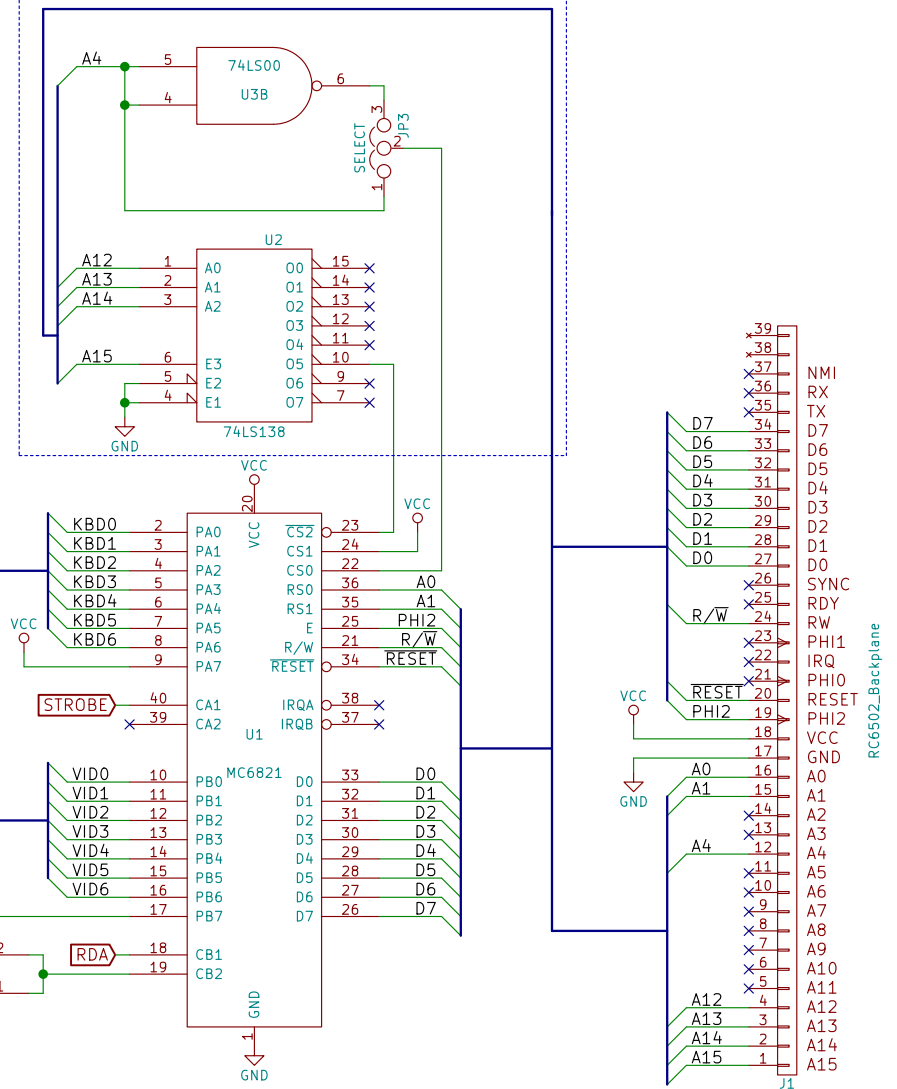


Address decoding places PIA at the expected addresses \$D010 to \$D012, these registers are mirrored across the entire \$Dxxx range. SELECT should be on 1-2, 2-3 is used if this card should instead be placed on \$D000 to \$D002 (for debugging).



Implements the Apple1 video and keyboard input section, but uses two Atmega328s in place of the original hardware while working somewhat like two separate Arduino on the board.