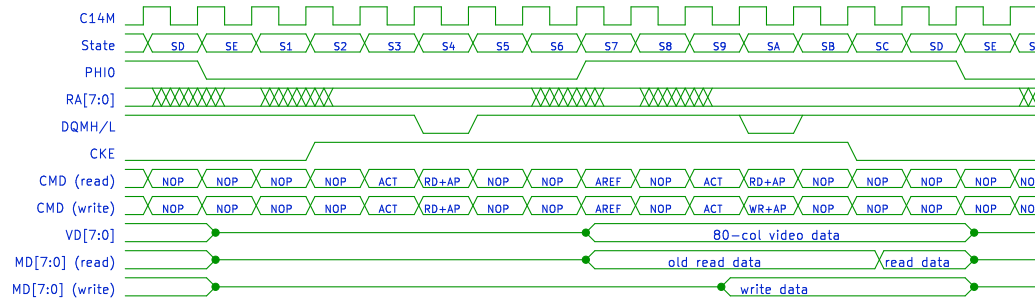


Video Access

6502 CPU Access



Information may be out of date. See ./cpld/RAM2E.v

**Garrett's Workshop**

Sheet: /Docs/  
File: Docs.sch

**Title: GW4203B (RAM2E II)**

Size: A4 Date: 2020-08-02  
KiCad E.D.A. kicad (5.1.5-0-10\_14)

**Rev: 1.0**  
Id: 2/2