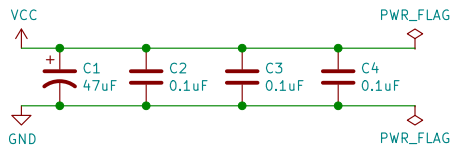
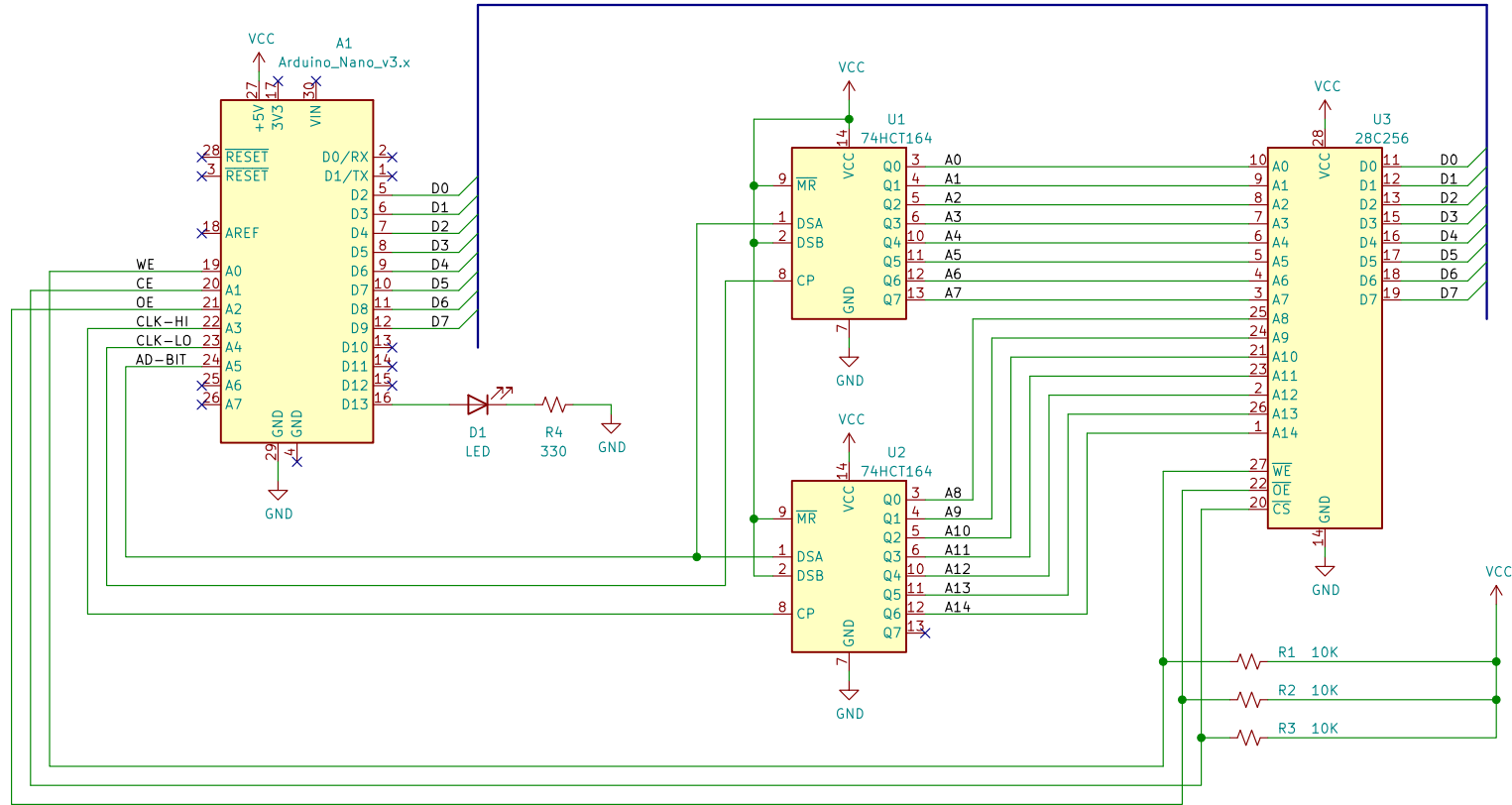


Note that Vcc is provided by the USB and is fed from the Nano's +5V pin



[github.com/TomNisbet](https://github.com/TomNisbet)

Sheet: /  
File: TommyPROM-schematics.sch

**Title: TommyPROM 28C Nano**

Size: USLetter | Date: 2021-05-06  
KiCad E.D.A. kicad (5.1.9)-1

**Rev: 1.2**  
Id: 1/1