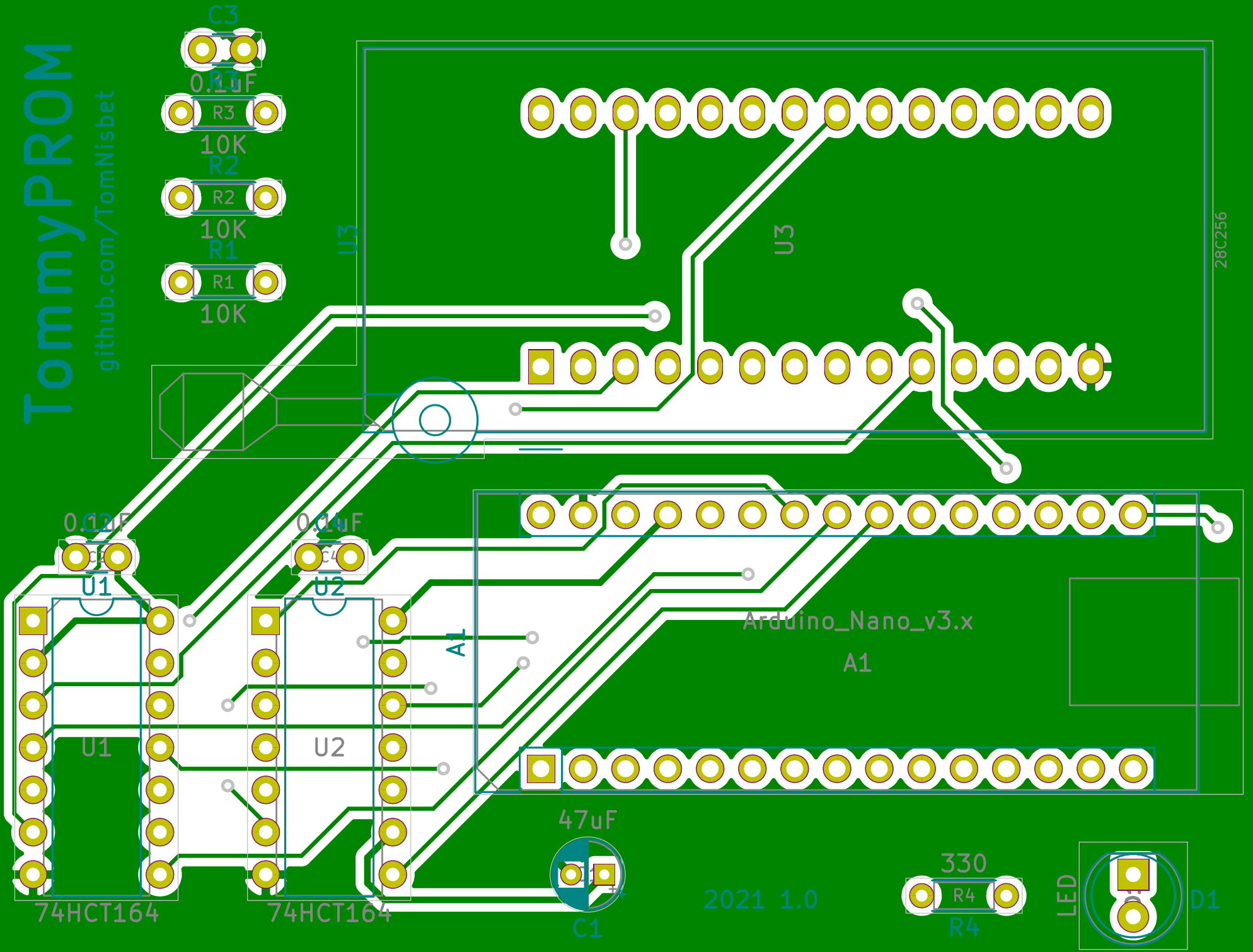


# TommyPROM

[github.com/TomNisbet](https://github.com/TomNisbet)



2021 1.0

74HCT164

74HCT164

C1

330

R4

R4

LED

D1

Arduino\_Nano\_v3.x

A1

28C256

U3

U3

0.1uF

U1

0.1uF

U2

0.1uF

R3

10K

R2

10K

R1

10K

47uF



C1