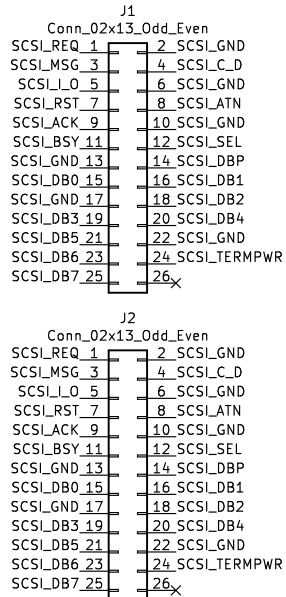


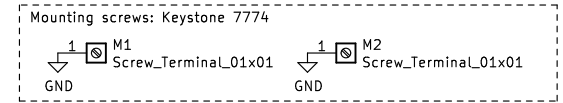
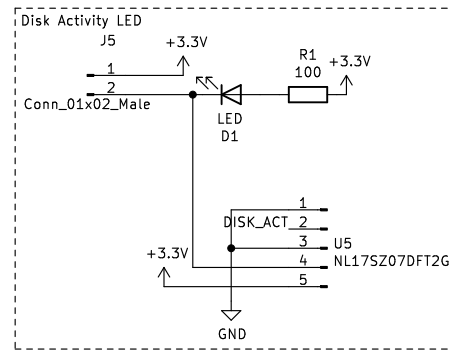
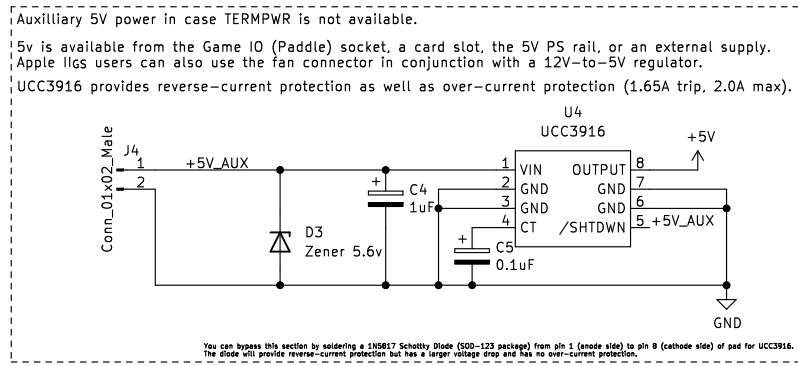
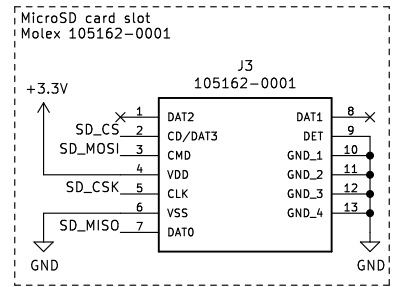
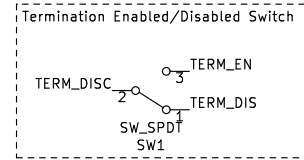
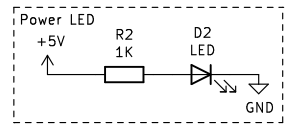
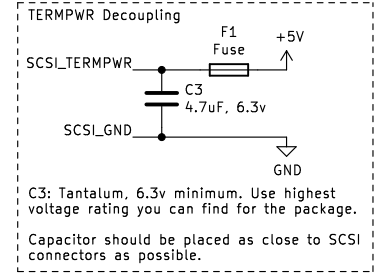
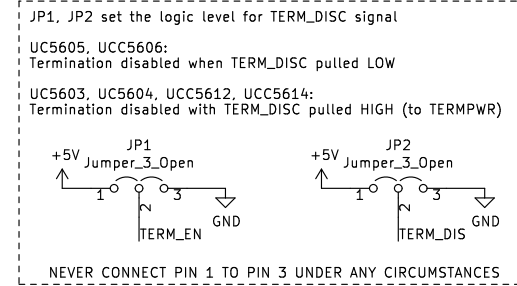
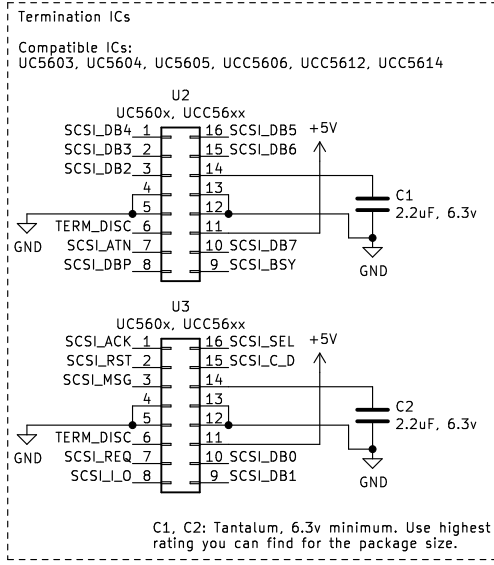
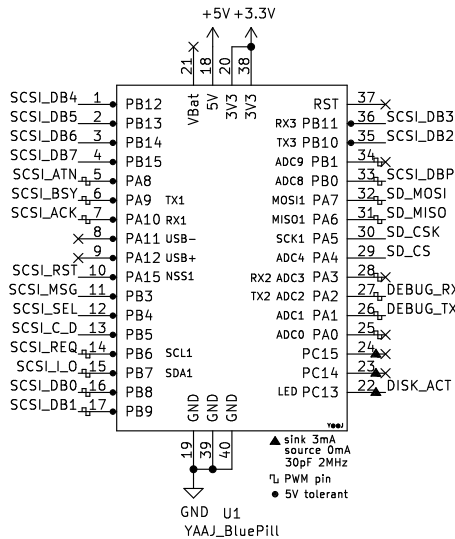
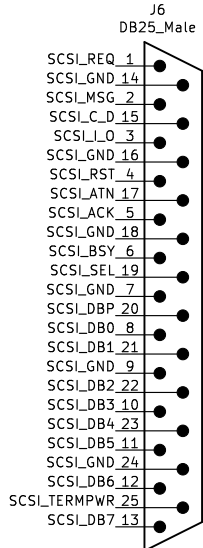
# BlueGS

<https://github.com/xunker/blue-gs>

Input from cards with IDC-26 connector, and output to rear DB-25 connector



DB-25 input from SCSI cards without detachable connectors



**BlueGS**  
Internal BlueSCSI for Apple IIgs and //e

BlueGS: Internal BlueSCSI for Apple IIgs and //e

12/2022

CC BY-SA-NC/4.0

v1.4