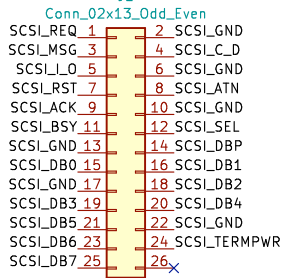


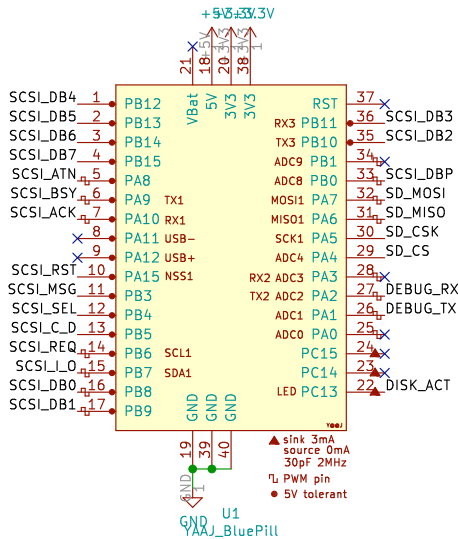
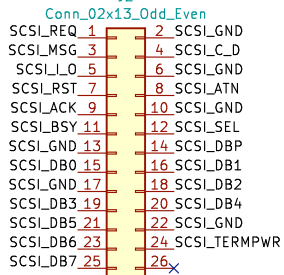
BlueGS

<https://github.com/xunker/blue-gs>

In from Apple Rev. C SCSI card

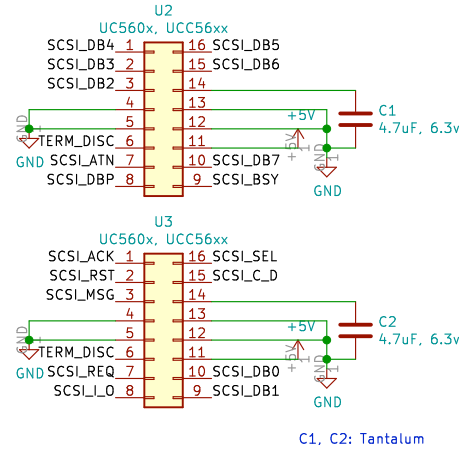


Out to DB-25 rear connector



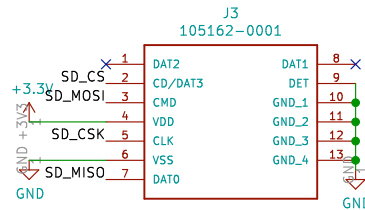
Termination ICs

Compatible ICs:
UC5603, UC5604, UC5605, UC5606, UCC5612, UCC5614

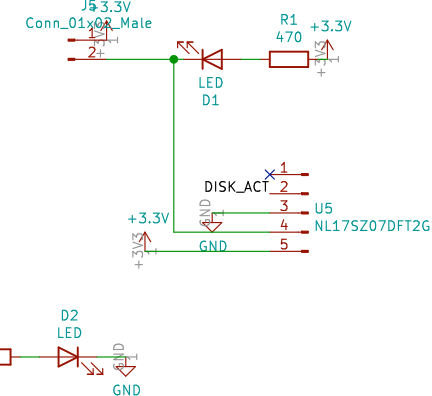


C1, C2: Tantalum

MicroSD card slot
Molex 105162-0001



Disk Activity LED



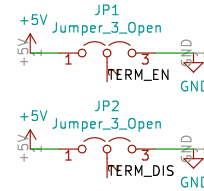
Power LED



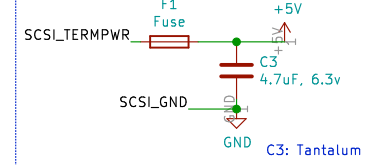
JP1, JP2 set the logic level for TERM_DISC signal

UC5605, UCC5606:
Termination disabled when TERM_DISC pulled LOW

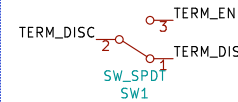
UC5603, UC5604, UCC5612, UCC5614:
Termination disabled with TERM_DISC pulled HIGH (to TERMPWR)



TERMPWR Decoupling

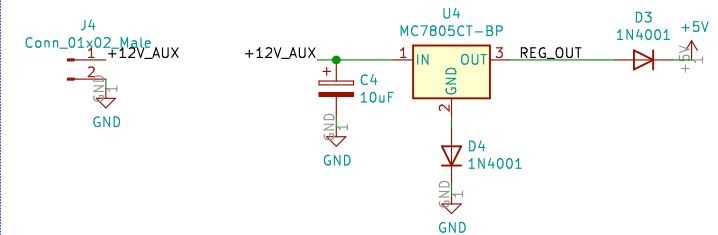


Termination Enabled/Disabled Switch



Auxilliary 12V power from Ilgs fan connector in case TERMPWR is not available

Reverse-protected via D3.
D4 boosts the output of regulator U4 to compensate for voltage drop of D3.
Heat-sink recommended.



Mounting screws: Keystone 7774



Sheet: /
File: bluescsi_iigs_internal.sch

Title: BlueGS: Internal BlueSCSI for Apple Ilgs and //e

Size: A4 Date: / /
KiCad E.D.A. kicad (5.1.8-0-10_14)

Rev: v1.3 (non-final)
Id: 1/1