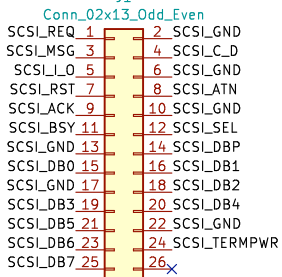
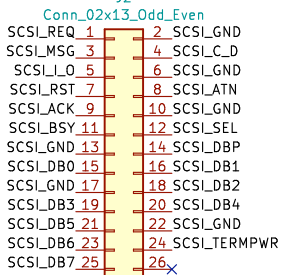


In from Apple Rev. C SCSI card

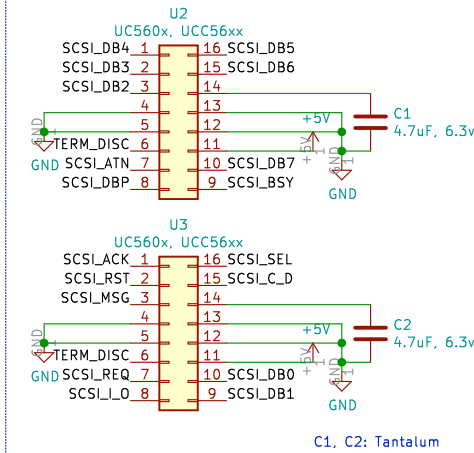


Out to DB-25 rear connector



Termination ICs

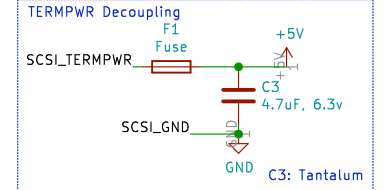
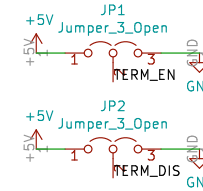
Compatible ICs:
 UC5603, UC5604, UC5605, UC5606, UCC5612, UCC5614



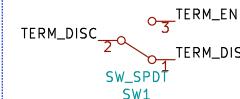
JP1, JP2 set the logic level for TERM_DISC signal

UC5605, UCC5606:
 Termination disabled when TERM_DISC pulled LOW

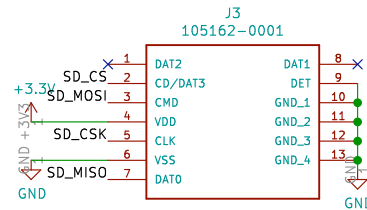
UC5603, UC5604, UC5612, UCC5614:
 Termination disabled with TERM_DISC pulled HIGH (to TERMPWR)



Termination Enabled/Disabled Switch

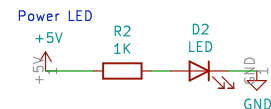
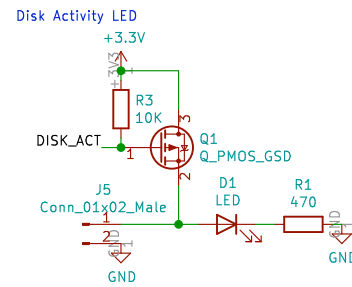
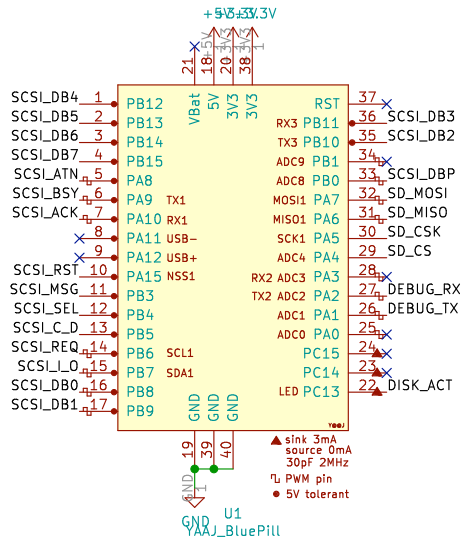
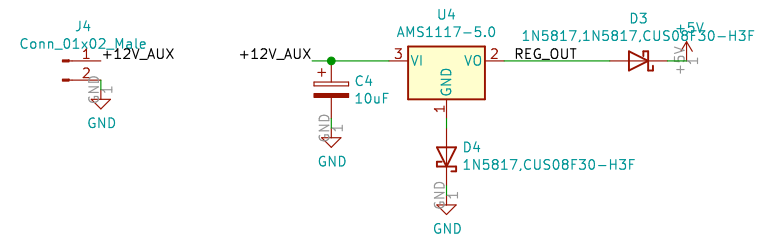


MicroSD card slot
 Molex 105162-0001



Auxiliary 12V power from IIGs fan connector in case TERMPWR is not available

Reverse-protected via D3.
 D4 boosts the output of regulator U4 to compensate for voltage drop of D3.



Sheet: /
 File: bluescsi_iigs_internal.sch

Title: Internal BlueSCSI for Apple IIGs and //e

Size: A4 Date:
 KiCad E.D.A. kicad (5.1.8-0-10_14)

Rev: v1.2
 Id: 1/1