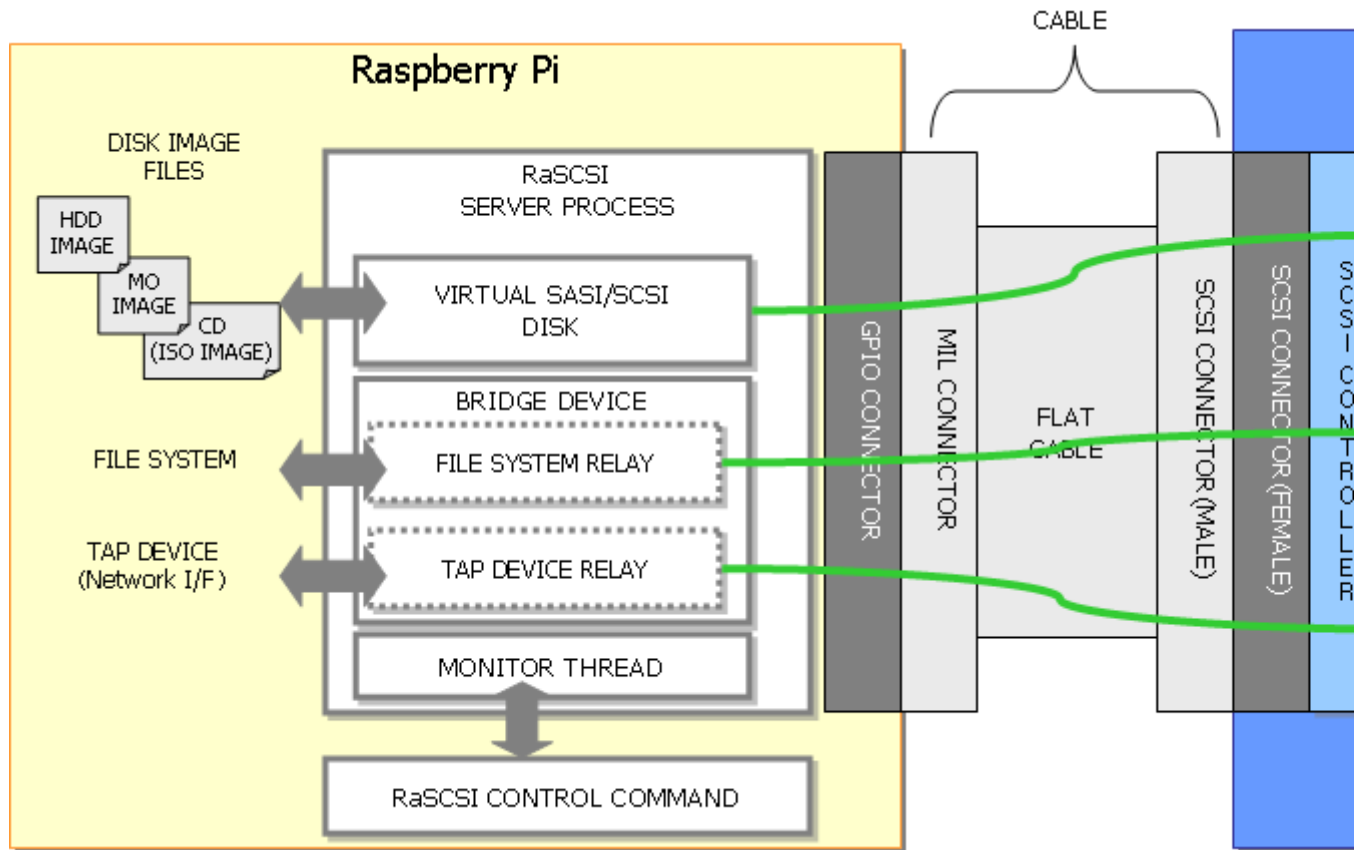


Translate From: Detect language

View: Translation Original

To: English

... (or later SCSI machine), you need to make your own conversion cable. By the way, RaSCSI performs various functions expansion by combining with X68000, but I think that it can be used with other retro PC adopting SCSI such as FM TOWNS when using it as a simple SCSI hard disk.



Characteristic

Virtual disk device (HDD, MO, CD)

Emulate SCSI connected hard disk, magneto-optical (MO) disk, CD-ROM. On the RPI side, the disk image file that can be created with XM 6 is recognized as a virtual SCSI disk device, but on the X68000 side a physical device is recognized as being present. I also officially supported SASI from version 1.24.

Ethernet communication

By installing the Ethernet driver provided by RaSCSI on the X68000 side, communication using the TAP device (virtual network I / F) can be performed through the RPI side bridge device. The X68000 side driver can be replaced with the Neptune - X driver.

Remote drive

By installing the remote file system driver provided by RaSCSI on the X68000 side, RPI file system can be recognized as a drive through RPI side bridge device as it is. It provides the same function as Windmill's XM6 Windrv XM on the actual machine.