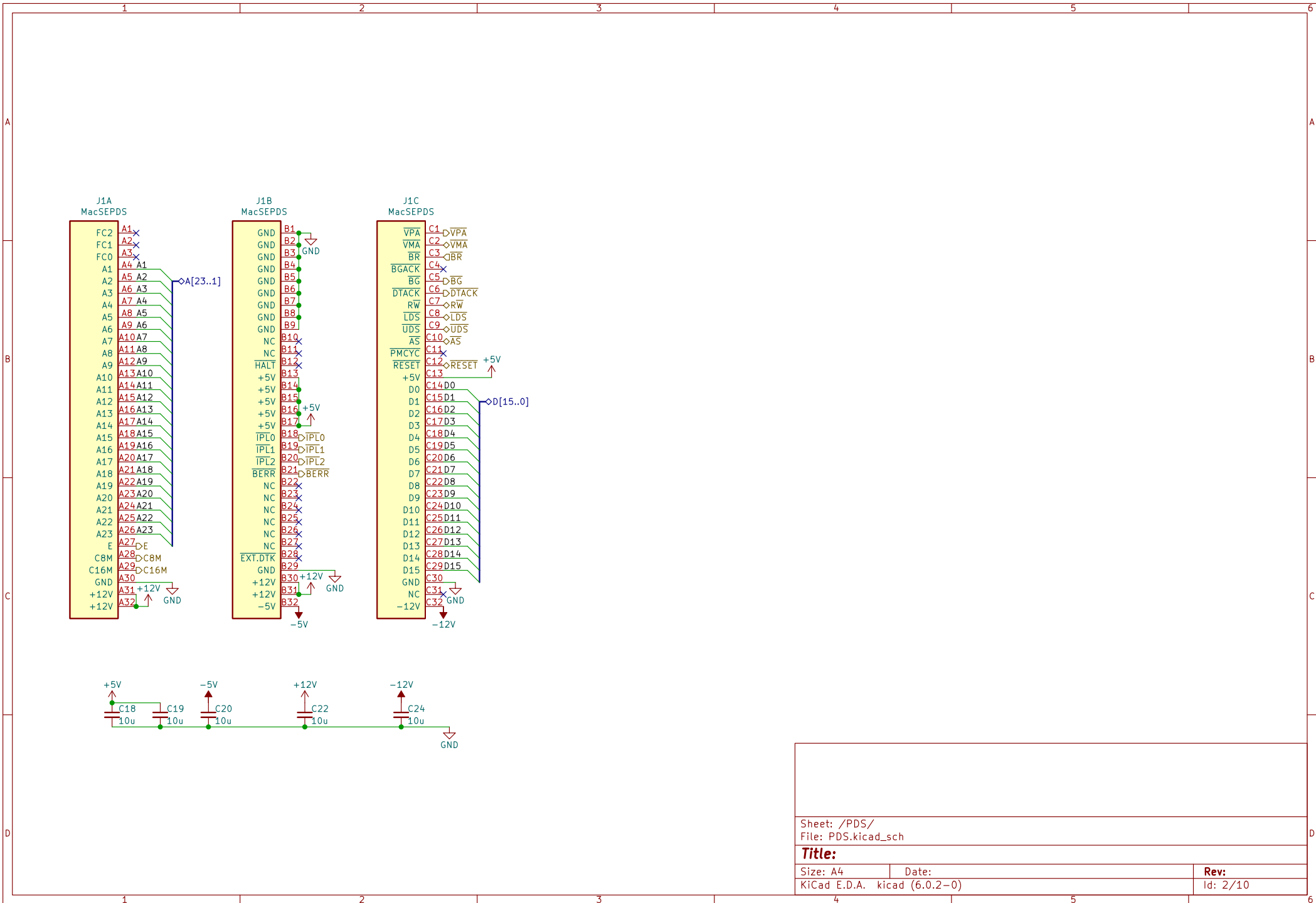
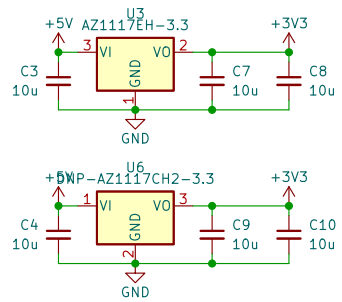


- H1 ● H2 ● H3 ● H4 ● H5
- FID1 ● FID2
- FID3 ● FID4

Sheet: /	
File: WarpSE.kicad_sch	
<b>Title:</b>	
Size: A4	Date:
KiCad E.D.A. kicad (6.0.2-0)	Rev: Id: 1/10



Sheet: /PDS/	
File: PDS.kicad_sch	
<b>Title:</b>	
Size: A4	Date:
KiCad E.D.A. kicad (6.0.2-0)	Rev: 2/10

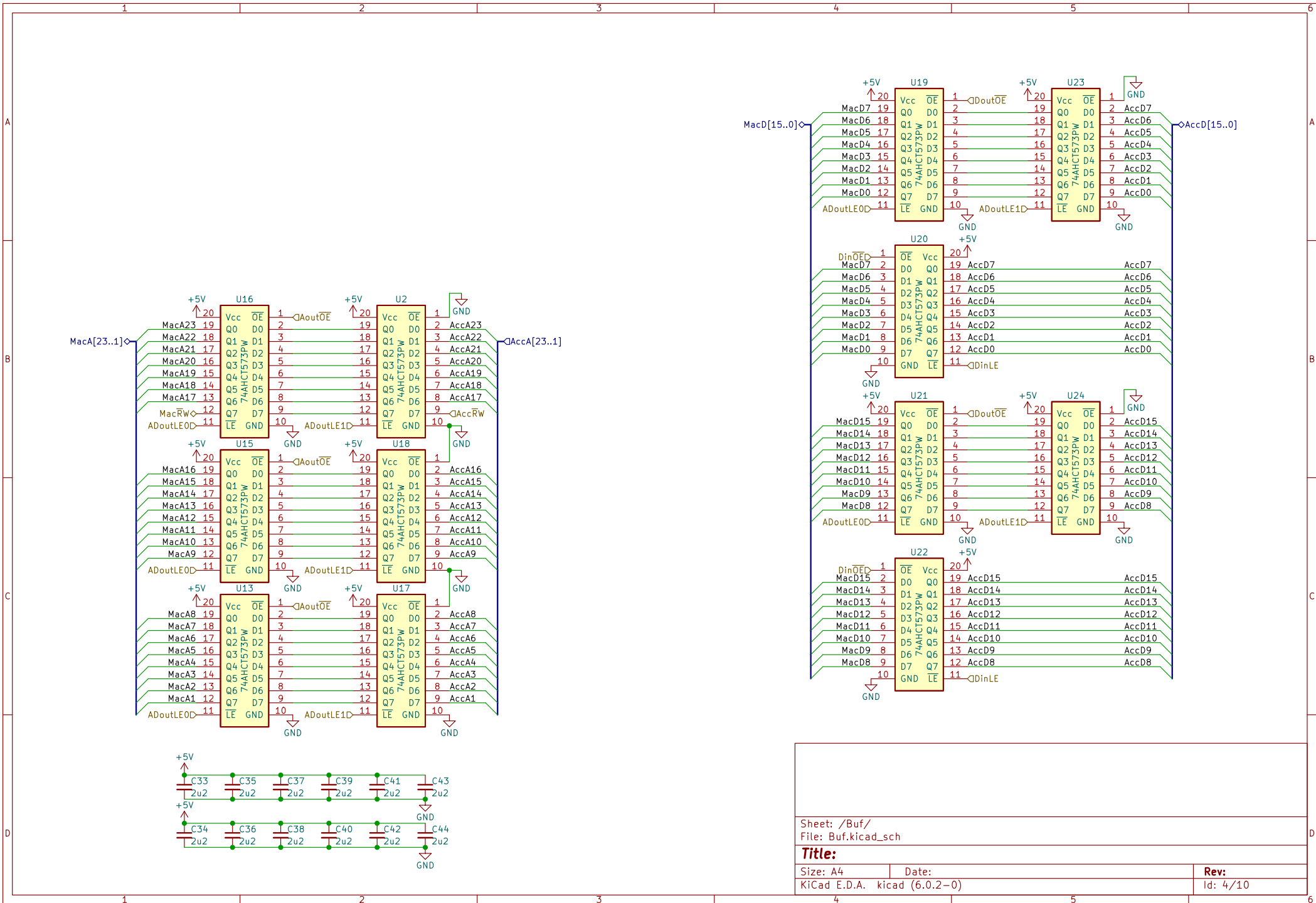


Sheet: /Power/  
File: Power.kicad\_sch

**Title:**

Size: A4 Date:  
KiCad E.D.A. kicad (6.0.2-0)

**Rev:**  
Id: 3/10



Sheet: /Buf/  
 File: Buf.kicad\_sch

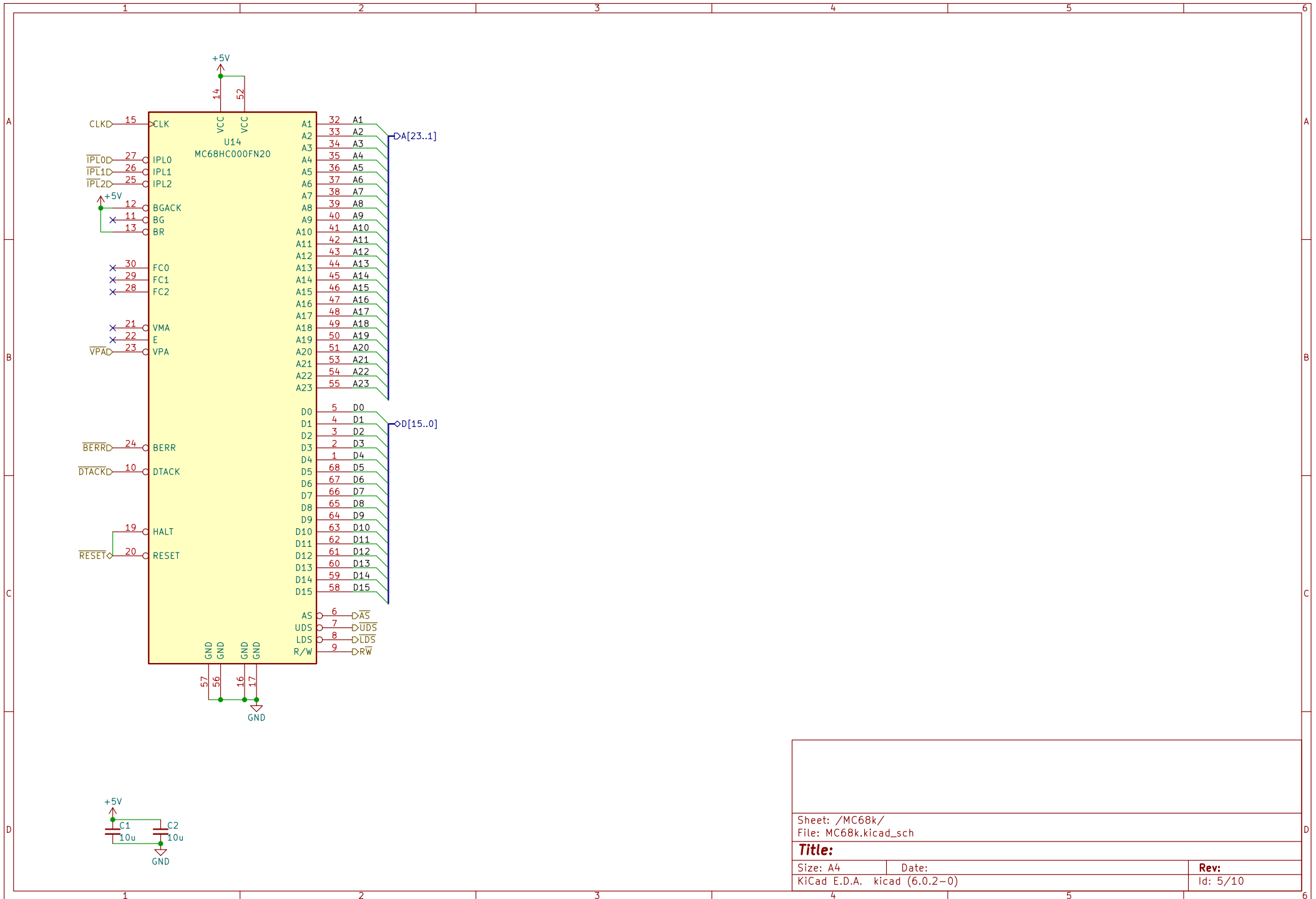
**Title:**

Size: A4  
 KiCad E.D.A. kicad (6.0.2-0)

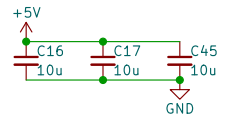
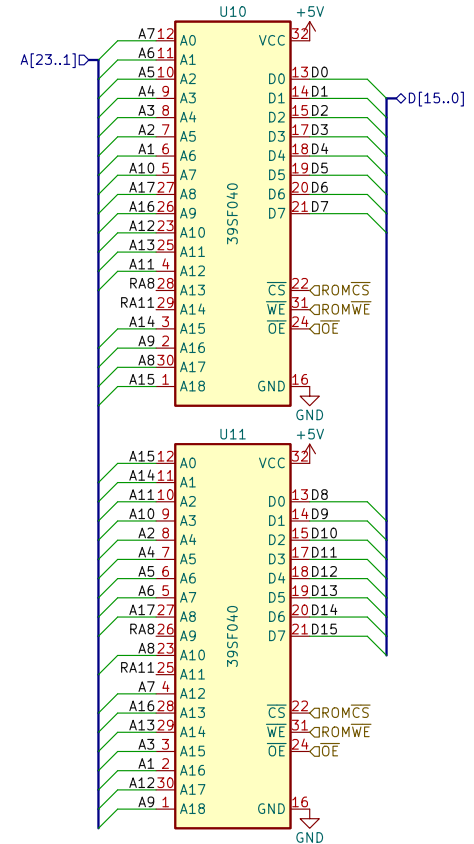
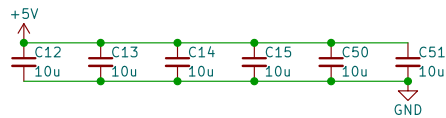
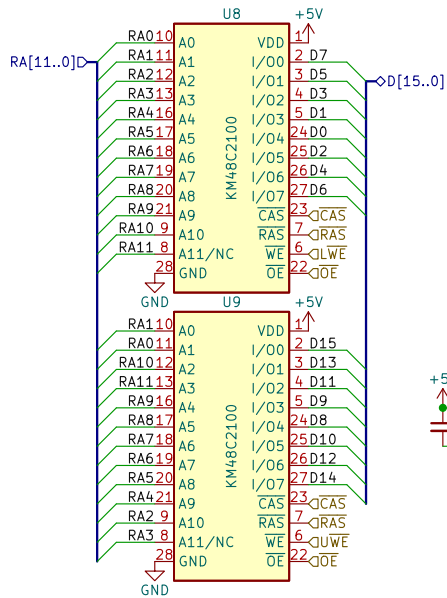
Date:

Rev:

Id: 4/10



Sheet: /MC68k/		
File: MC68k.kicad_sch		
<b>Title:</b>		
Size: A4	Date:	Rev:
KiCad E.D.A. kicad (6.0.2-0)		Id: 5/10



Sheet: /RAMROM/  
File: RAMROM.kicad\_sch

**Title:**

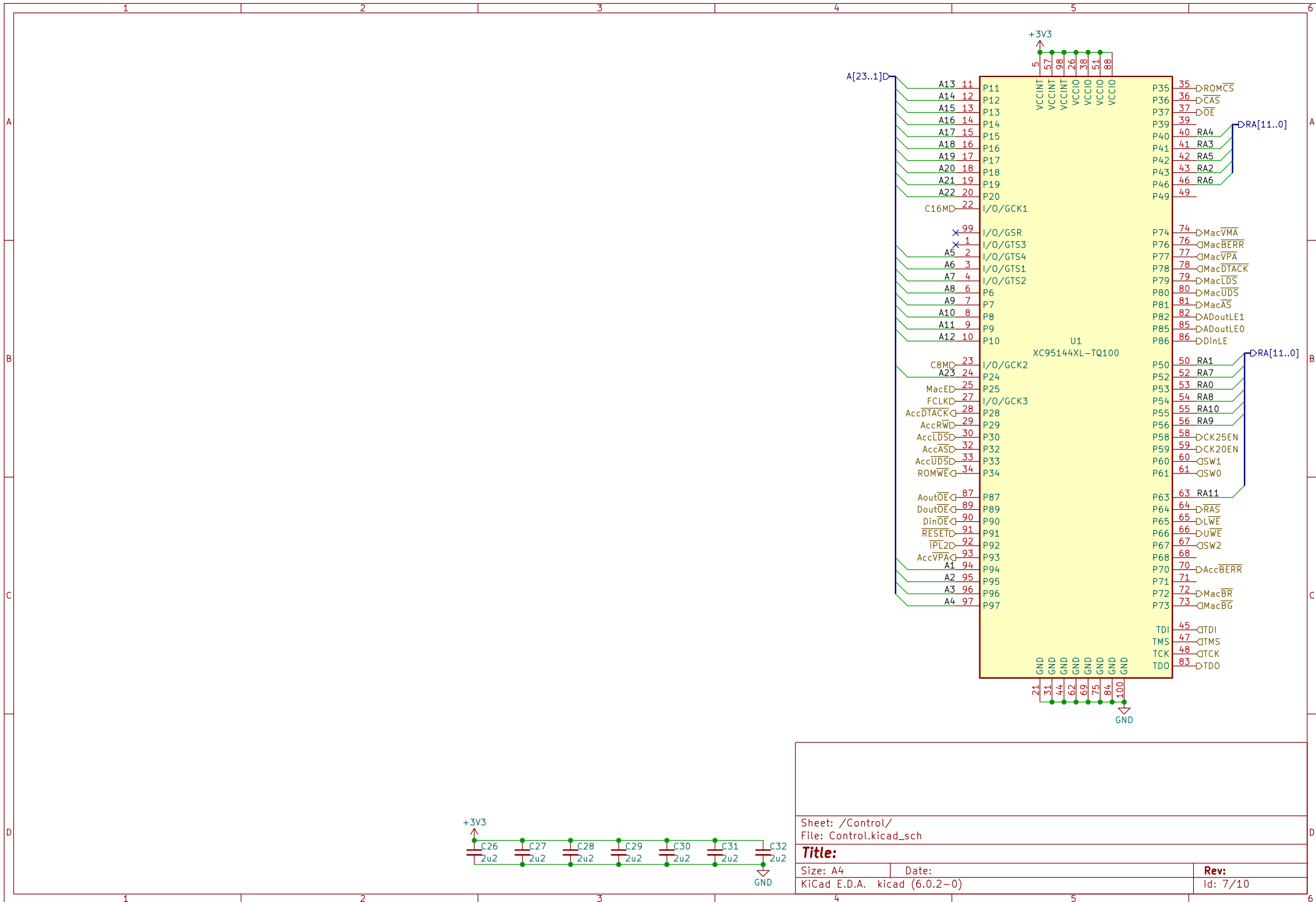
Size: A4

Date:

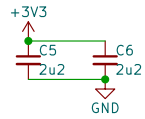
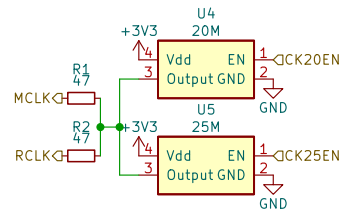
KiCad E.D.A. kicad (6.0.2-0)

**Rev:**

Id: 6/10



Sheet: /Control/		Date:	
File: Control.kicad_sch		Rev:	
Size: A4	KiCad E.D.A. kicad (6.0.2-0)	Id: 7/10	



Sheet: /Clk.sch/  
 File: Clk.kicad\_sch

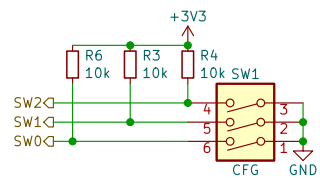
**Title:**

Size: A4  
 KiCad E.D.A. kicad (6.0.2-0)

Date:

Rev:  
 Id: 8/10



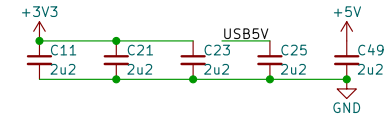
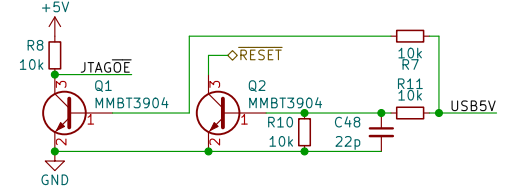
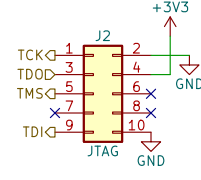
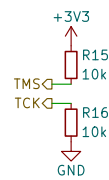
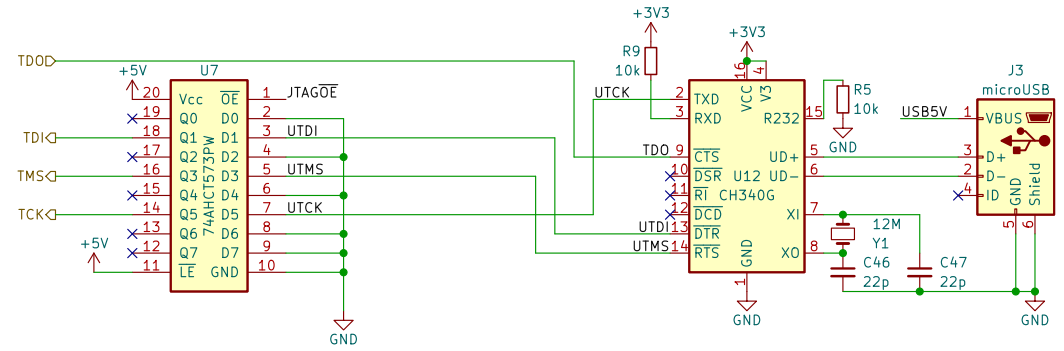


Sheet: /DIPSW/  
File: DIPSW.kicad\_sch

**Title:**

Size: A4 | Date:  
KiCad E.D.A. kicad (6.0.2-0)

**Rev:**  
Id: 9/10



Sheet: /Prog/  
File: Prog.kicad\_sch

**Title:**

Size: A4 Date:  
KiCad E.D.A. kicad (6.0.2-0)

Rev:  
Id: 10/10