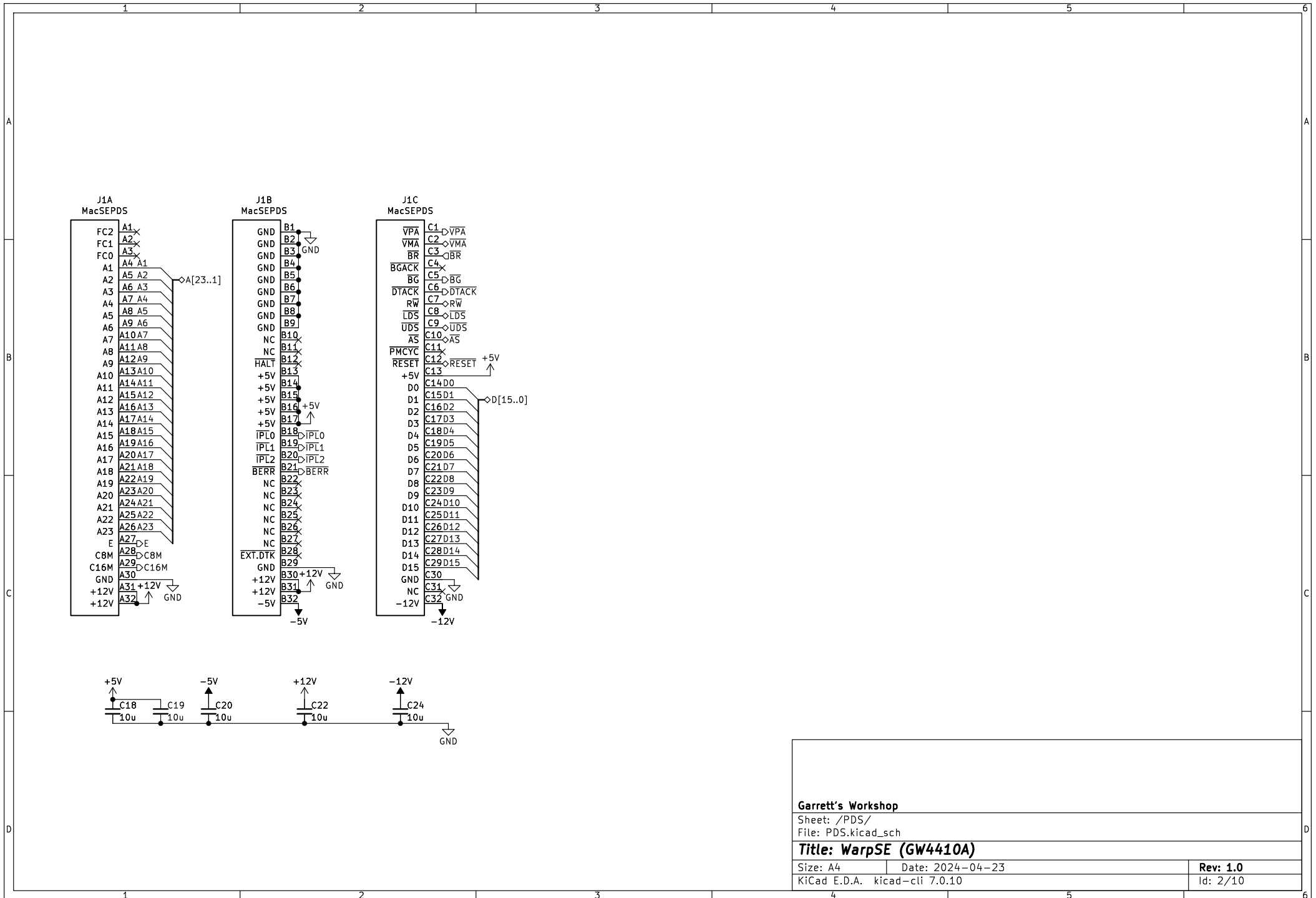


- H1 ● H2 ● H3 ● H4 ● H5
- FID1 ○ FID2
- FID3 ○ FID4

Garrett's Workshop	
Sheet: /	
File: WarpSE.kicad_sch	
Title: WarpSE (GW4410A)	
Size: A4	Date: 2024-04-23
KiCad E.D.A. kicad-cli 7.0.10	Rev: 1.0
	Id: 1/10



Garrett's Workshop

Sheet: /PDS/

File: PDS.kicad_sch

Title: WarpSE (GW4410A)

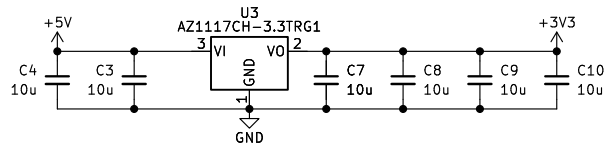
Size: A4

Date: 2024-04-23

KiCad E.D.A. kicad-cli 7.0.10

Rev: 1.0

Id: 2/10



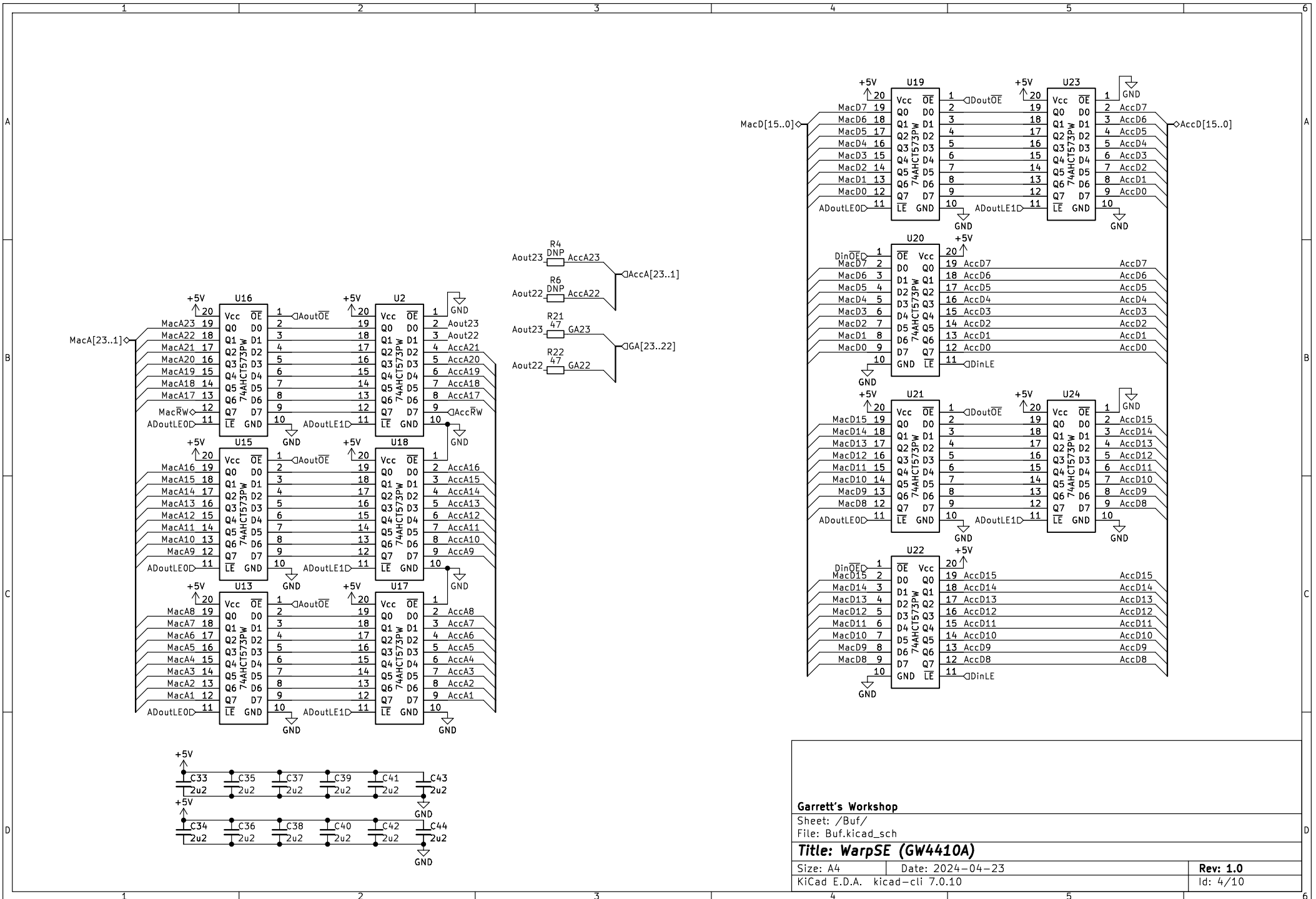
Garrett's Workshop

Sheet: /Power/
File: Power.kicad_sch

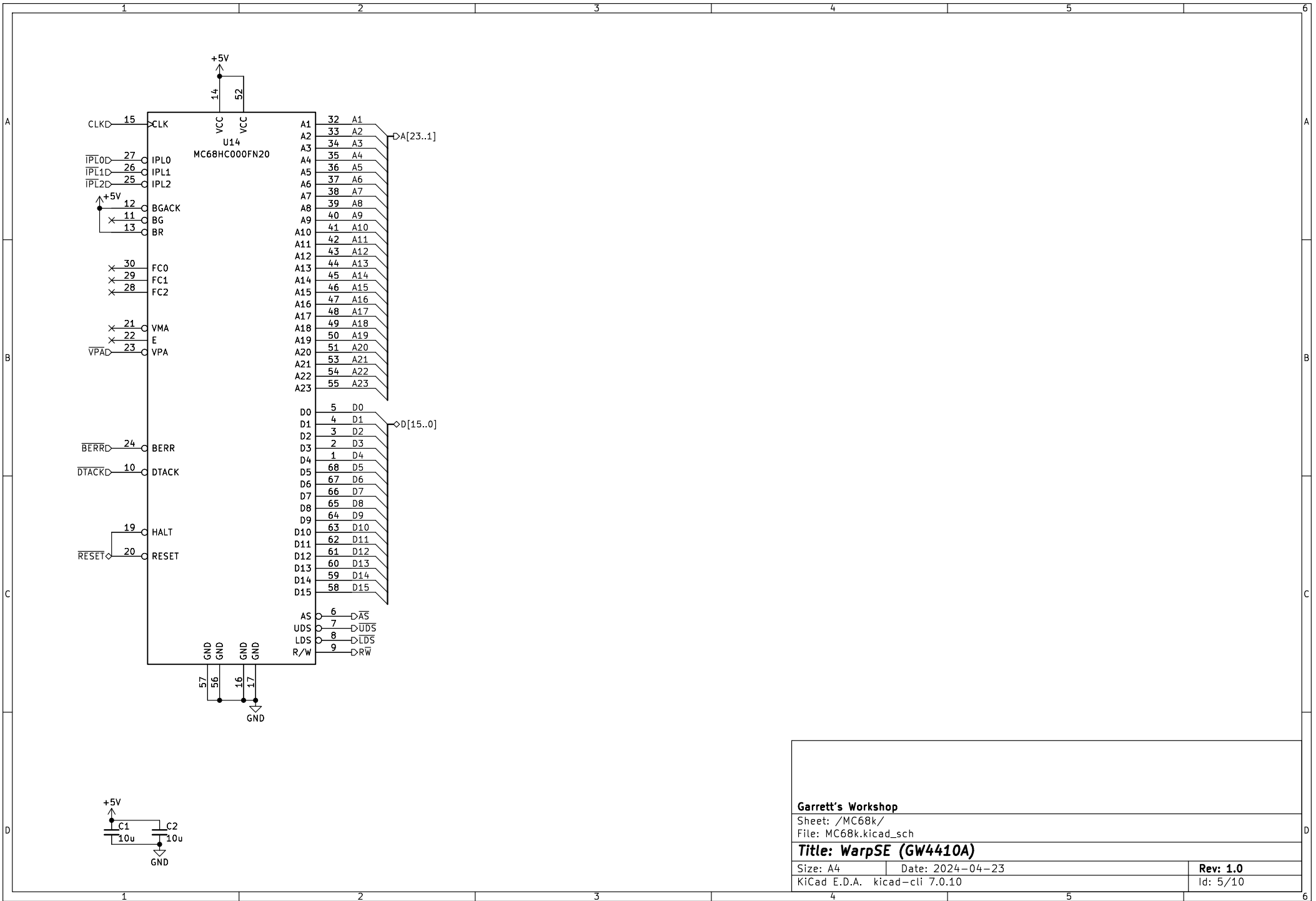
Title: WarpSE (GW4410A)

Size: A4 Date: 2024-04-23
KiCad E.D.A. kicad-cli 7.0.10

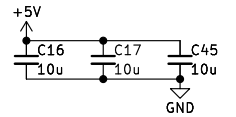
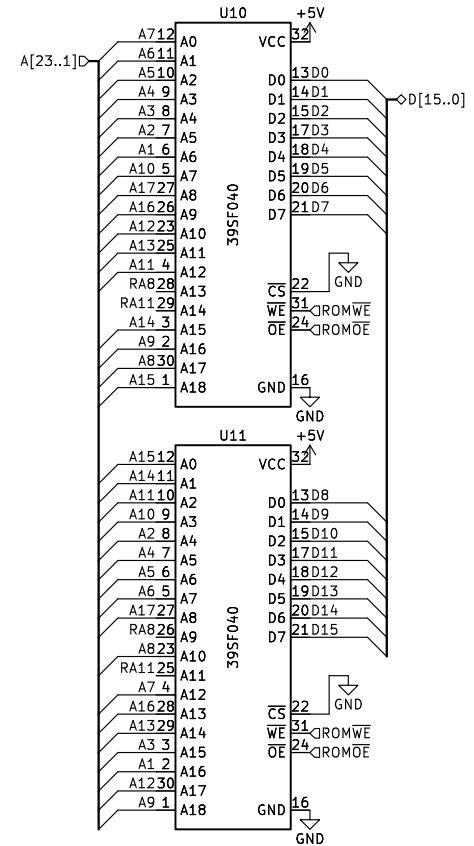
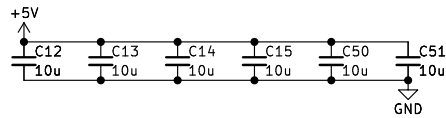
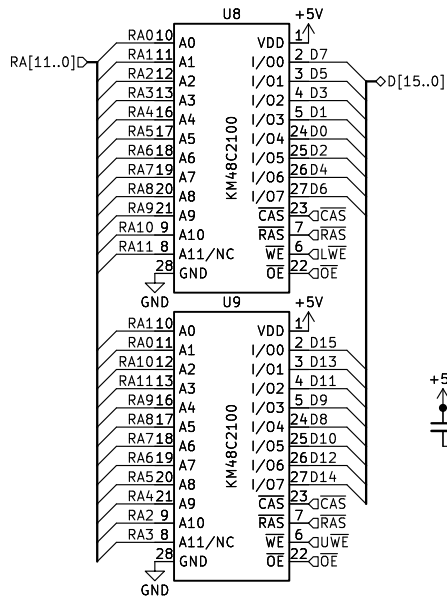
Rev: 1.0
Id: 3/10



Garrett's Workshop	
Sheet: /Buf/	
File: Buf.kicad_sch	
Title: WarpSE (GW4410A)	
Size: A4	Date: 2024-04-23
KiCad E.D.A. kicad-cli 7.0.10	Rev: 1.0
	Id: 4/10



Garrett's Workshop	
Sheet: /MC68k/	
File: MC68k.kicad_sch	
Title: WarpSE (GW4410A)	
Size: A4	Date: 2024-04-23
KiCad E.D.A. kicad-cli 7.0.10	Rev: 1.0
	Id: 5/10



Garrett's Workshop

Sheet: /RAMROM/
 File: RAMROM.kicad_sch

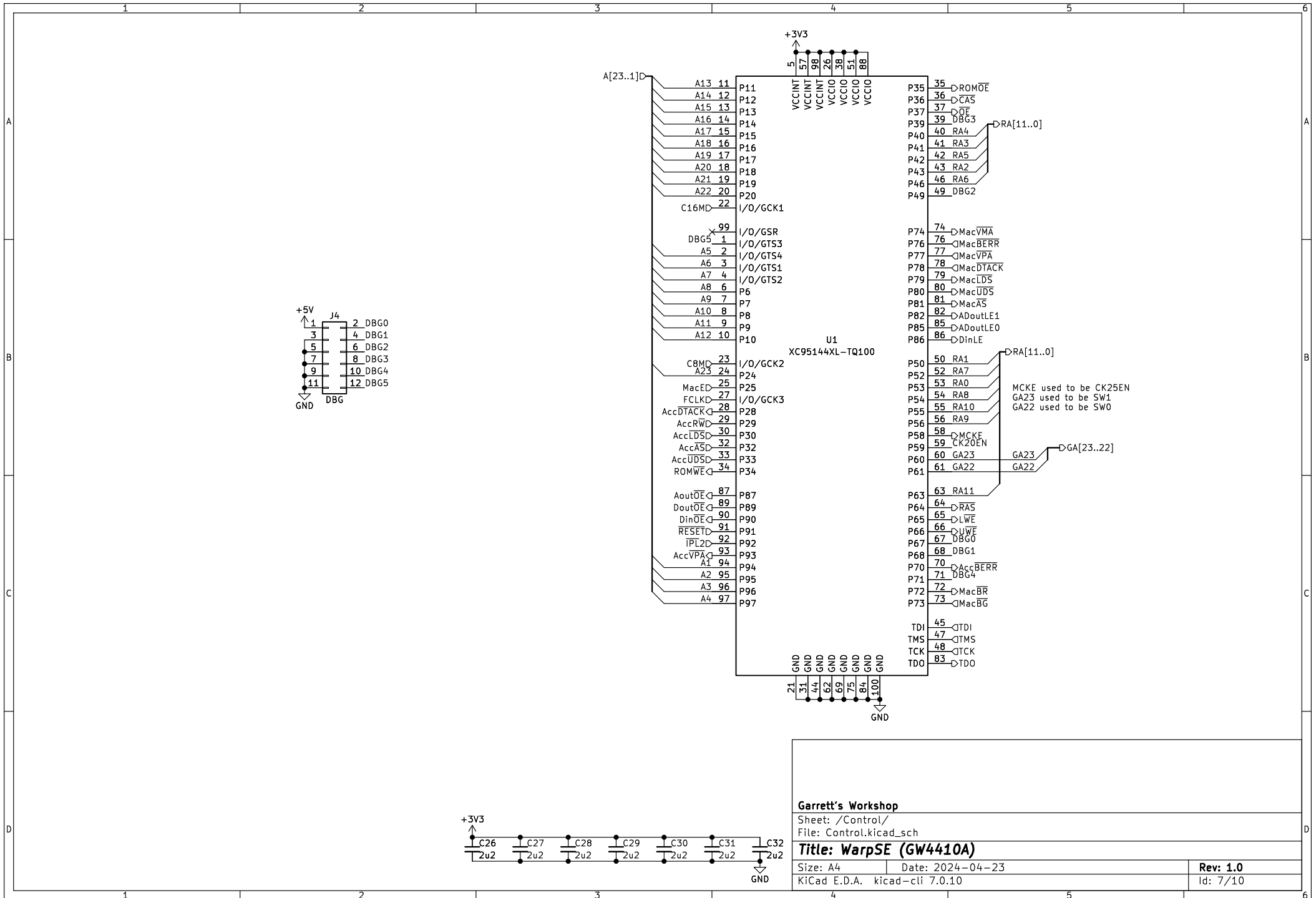
Title: WarpSE (GW4410A)

Size: A4 | Date: 2024-04-23

KiCad E.D.A. kicad-cli 7.0.10

Rev: 1.0

Id: 6/10



Garrett's Workshop

Sheet: /Control/
File: Control.kicad_sch

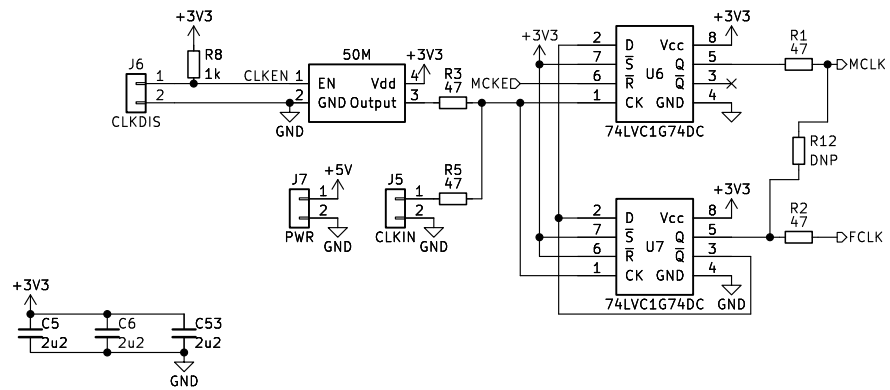
Title: WarpSE (GW4410A)

Size: A4 Date: 2024-04-23

KiCad E.D.A. kicad-cli 7.0.10

Rev: 1.0

Id: 7/10



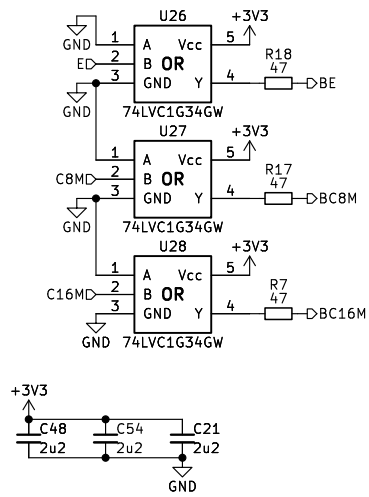
Garrett's Workshop

Sheet: /Clk.sch/
File: Clk.kicad_sch

Title: WarpSE (GW4410A)

Size: A4 Date: 2024-04-23
KiCad E.D.A. kicad-cli 7.0.10

Rev: 1.0
Id: 8/10



Garrett's Workshop

Sheet: /ClkBuf/

File: ClkBuf.kicad_sch

Title: WarpSE (GW4410A)

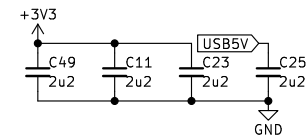
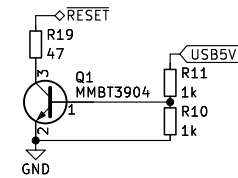
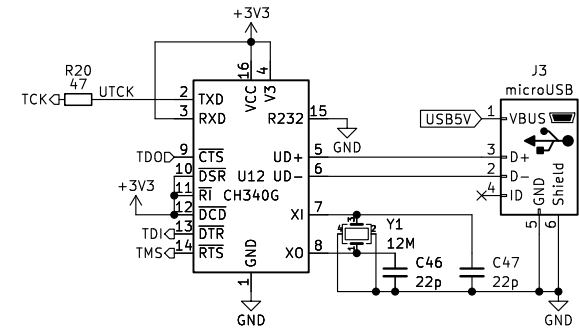
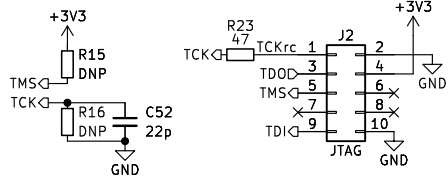
Size: A4

Date: 2024-04-23

Rev: 1.0

KiCad E.D.A. kicad-cli 7.0.10

Id: 10/10



Garrett's Workshop

Sheet: /Prog/
File: Prog.kicad_sch

Title: WarpSE (GW4410A)

Size: A4 Date: 2024-04-23

KiCad E.D.A. kicad-cli 7.0.10

Rev: 1.0

Id: 10/10