

- H1 ● H2 ● H3 ● H4 ● H5

- FID1 ○ FID2
- FID3 ○ FID4

**Garrett's Workshop**

Sheet: /  
File: WarpSE.kicad\_sch

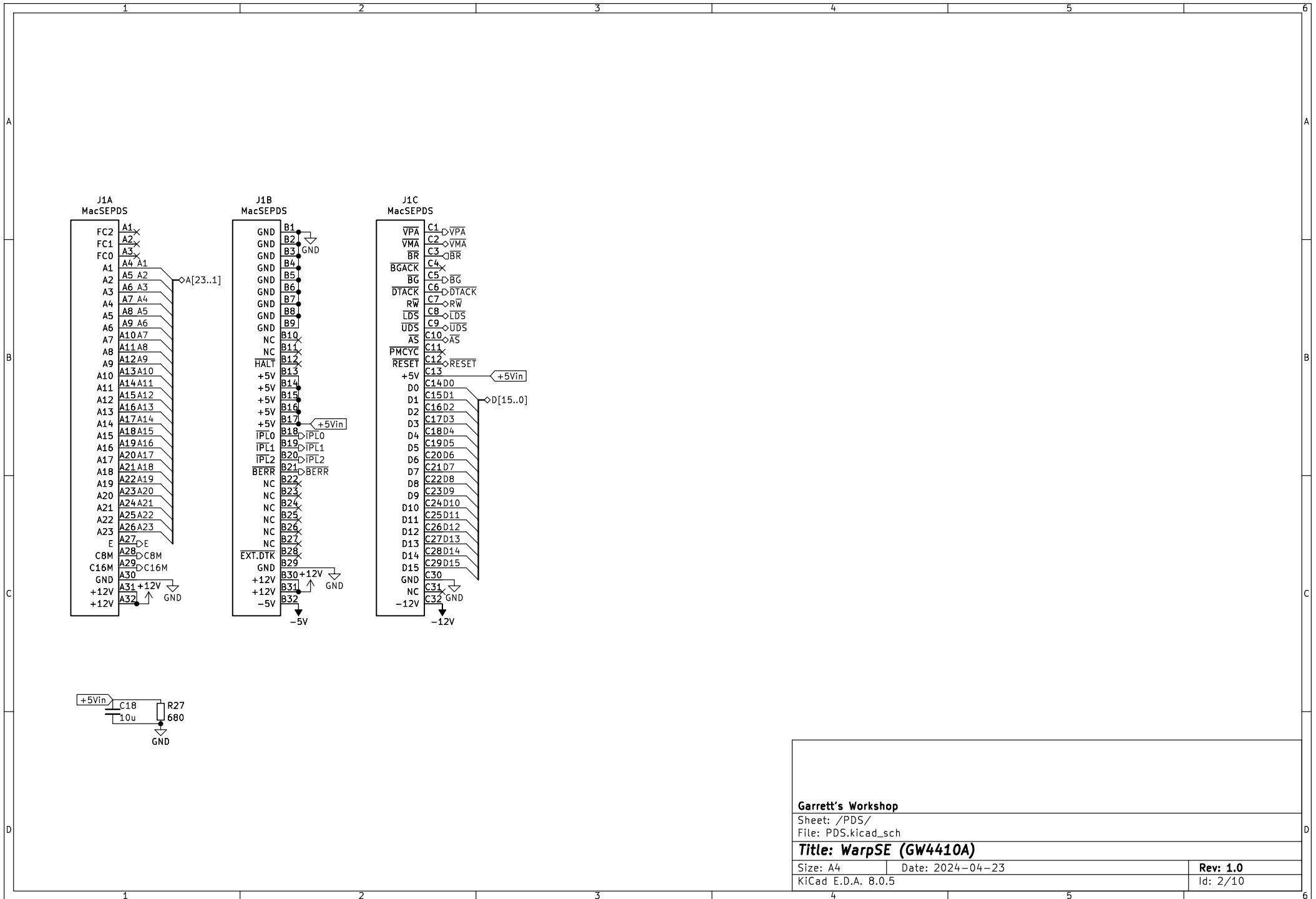
**Title: WarpSE (GW4410A)**

Size: A4 Date: 2024-04-23

KiCad E.D.A. 8.0.5

**Rev: 1.0**

Id: 1/10



Garrett's Workshop

Sheet: /PDS/  
File: PDS.kicad\_sch

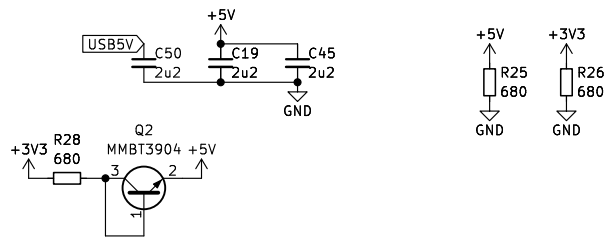
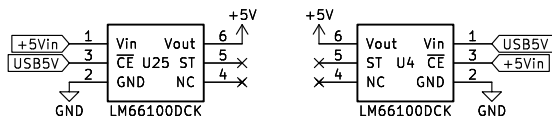
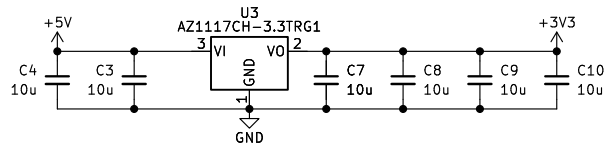
Title: WarpSE (GW4410A)

Size: A4 Date: 2024-04-23

KiCad E.D.A. 8.0.5

Rev: 1.0

Id: 2/10



Garrett's Workshop

Sheet: /Power/  
File: Power.kicad\_sch

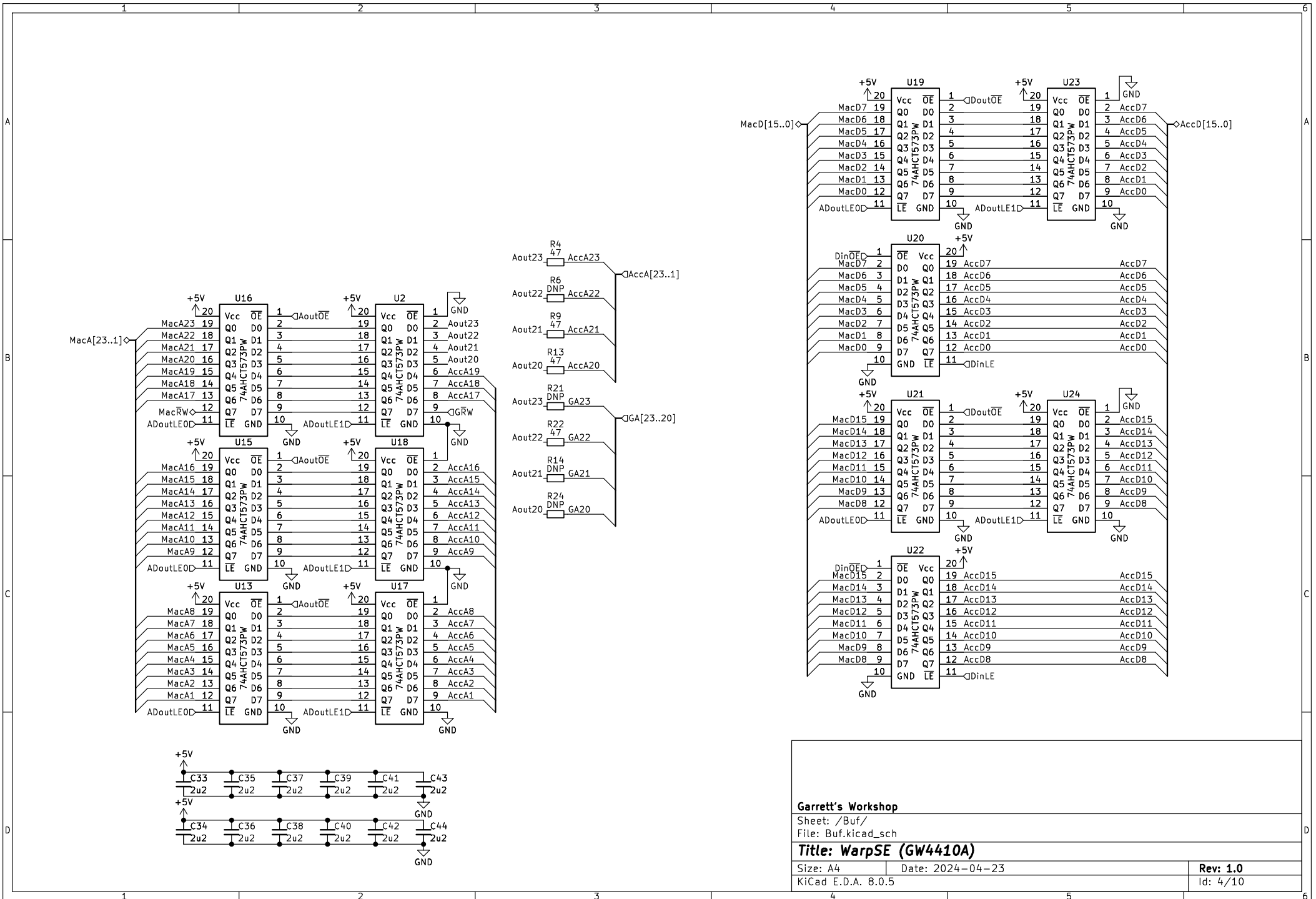
**Title: WarpSE (GW4410A)**

Size: A4 Date: 2024-04-23

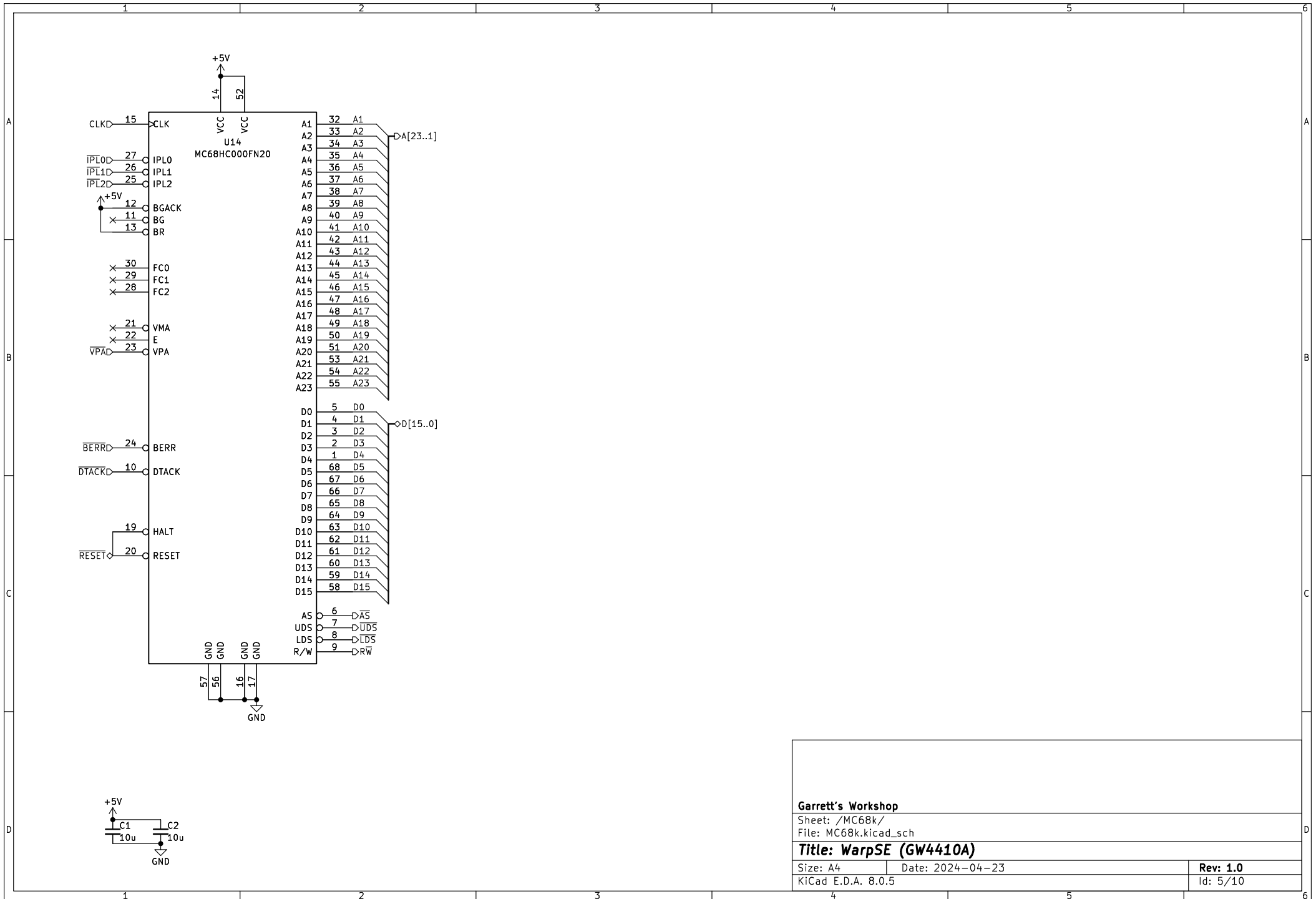
KiCad E.D.A. 8.0.5

Rev: 1.0

Id: 3/10



<b>Garrett's Workshop</b>	
Sheet: /Buf/	
File: Buf.kicad_sch	
<b>Title: WarpSE (GW4410A)</b>	
Size: A4	Date: 2024-04-23
KiCad E.D.A. 8.0.5	Rev: 1.0
	Id: 4/10



Garrett's Workshop

Sheet: /MC68k/  
File: MC68k.kicad\_sch

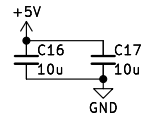
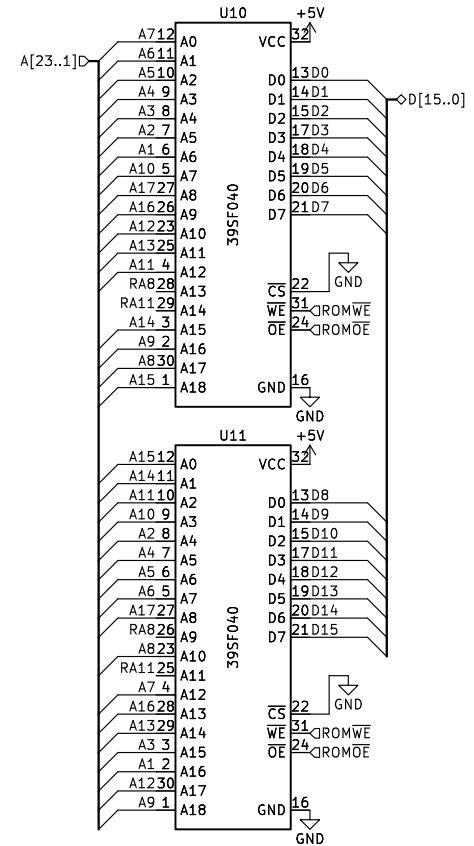
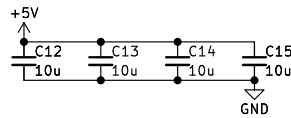
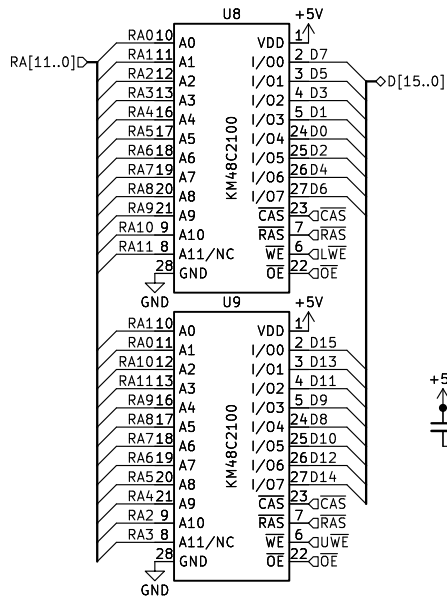
**Title: WarpSE (GW4410A)**

Size: A4 Date: 2024-04-23

KiCad E.D.A. 8.0.5

Rev: 1.0

Id: 5/10



Garrett's Workshop

Sheet: /RAMROM/  
File: RAMROM.kicad\_sch

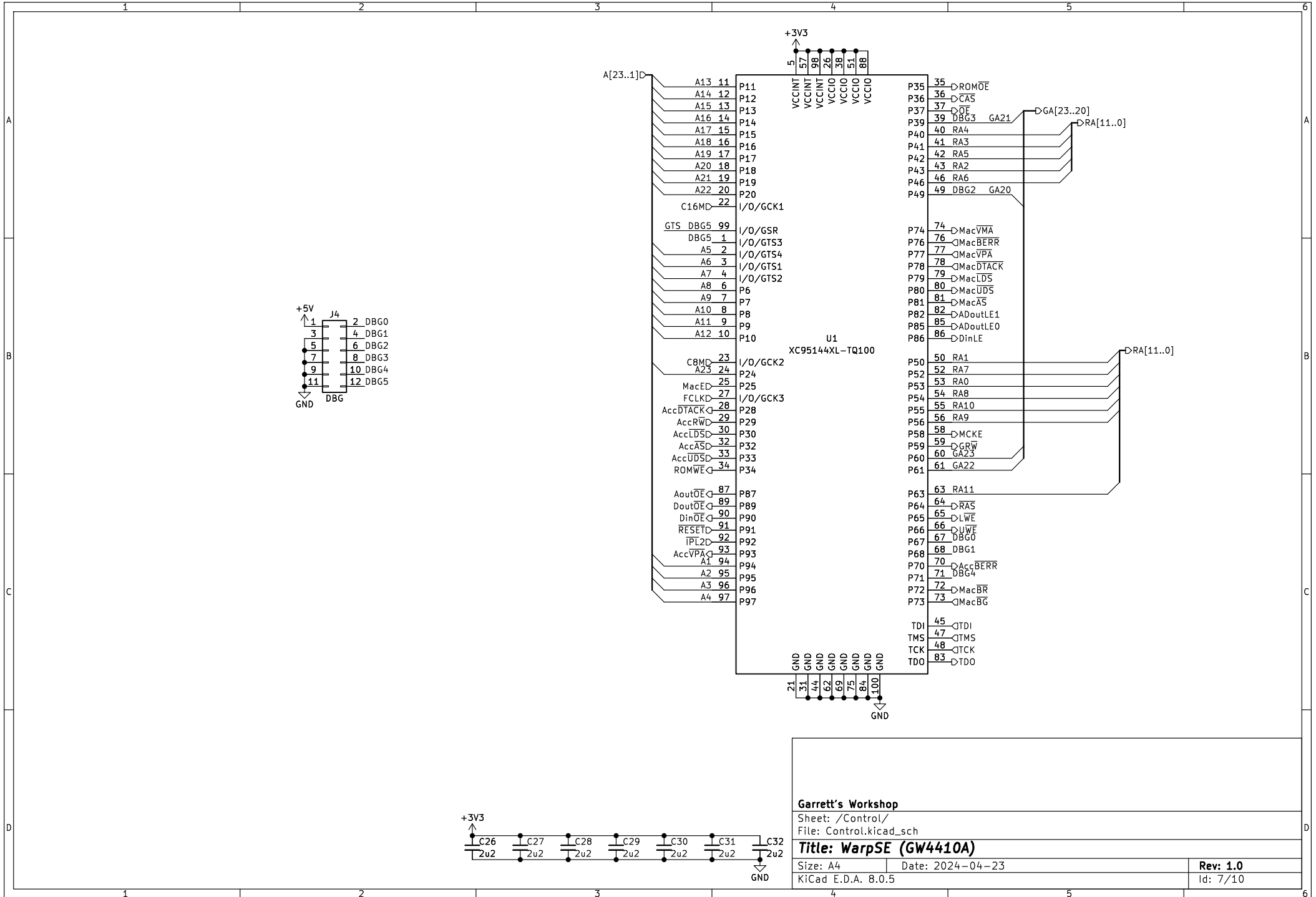
**Title: WarpSE (GW4410A)**

Size: A4 Date: 2024-04-23

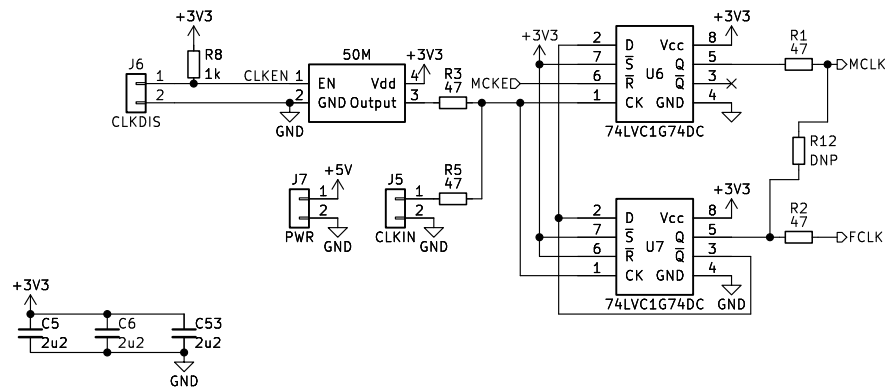
KiCad E.D.A. 8.0.5

Rev: 1.0

Id: 6/10



<b>Garrett's Workshop</b>	
Sheet: /Control/	
File: Control.kicad_sch	
<b>Title: WarpSE (GW4410A)</b>	
Size: A4	Date: 2024-04-23
KiCad E.D.A. 8.0.5	Rev: 1.0
	Id: 7/10



**Garrett's Workshop**

Sheet: /Clk.sch/  
File: Clk.kicad\_sch

**Title: WarpSE (GW4410A)**

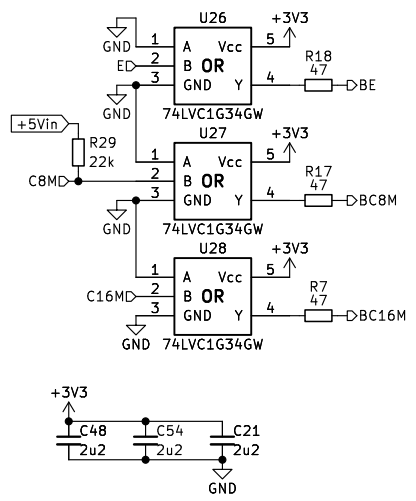
Size: A4 Date: 2024-04-23

KiCad E.D.A. 8.0.5

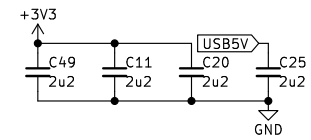
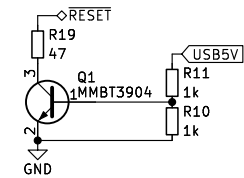
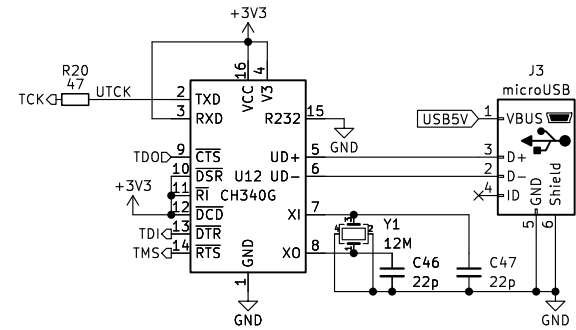
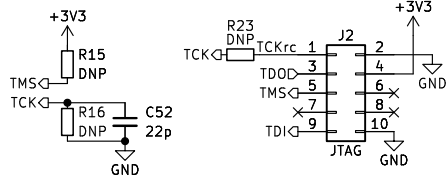
**Rev: 1.0**

Id: 8/10





<b>Garrett's Workshop</b>	
Sheet: /ClkBuf/	
File: ClkBuf.kicad_sch	
<b>Title: WarpSE (GW4410A)</b>	
Size: A4	Date: 2024-04-23
KiCad E.D.A. 8.0.5	Rev: 1.0
	Id: 10/10



Garrett's Workshop

Sheet: /Prog/  
File: Prog.kicad\_sch

**Title: WarpSE (GW4410A)**

Size: A4 Date: 2024-04-23

KiCad E.D.A. 8.0.5

Rev: 1.0

Id: 10/10