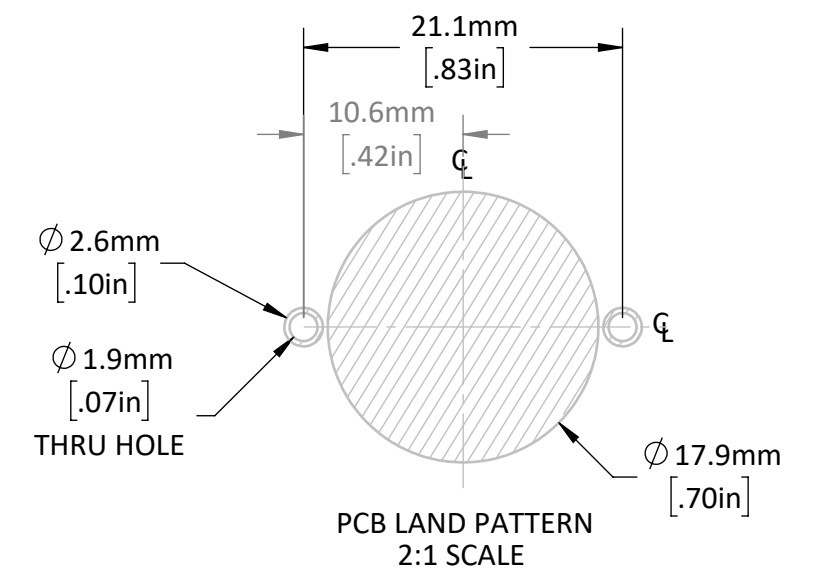
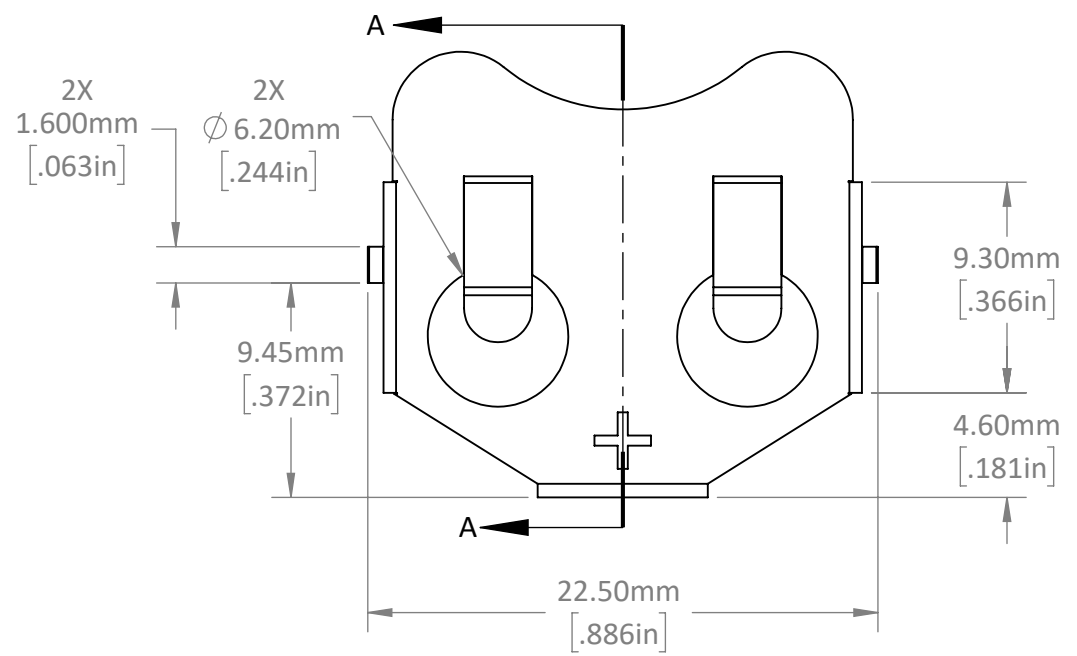
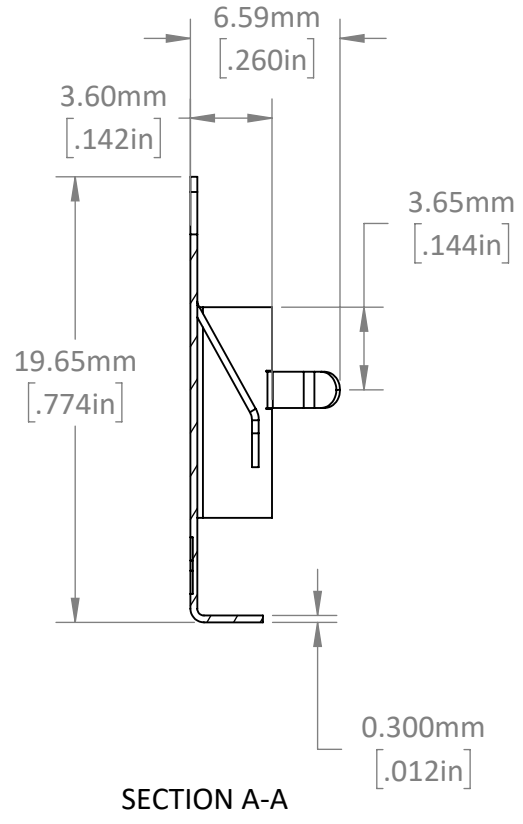
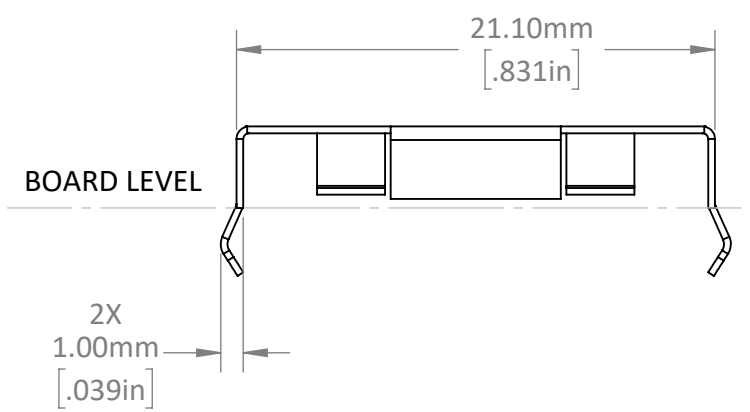


REVISIONS			
REV	DESCRIPTION	DATE	APPV
A	PRODUCTION RELEASE	JHAGER 3/29/21	



- NOTES: (UNLESS OTHERWISE SPECIFIED)
1. ALL DIMENSIONS ARE IN MILLIMETERS [IN].
 2. DIMENSIONS APPLY AFTER FINISHING.
 3. MANUFACTURE TO BE COMPLIANT WITH EU RoHS DIRECTIVE, USE MATERIALS THAT DO NOT CONTAIN REACH SUBSTANCES OF VERY HIGH CONCERN >1000ppm, AND USE DRC CONFLICT-FREE SOURCED MATERIALS.
 4. ALL UNLISTED GEOMETRY CONTROLLED BY MODEL AT LATEST REVISION.
 5. MATERIAL: .250mm C5191 PHOSPHOR BRONZE 3μIN NICKEL PLATING.
 6. BEND RADIUS: MINIMUM FOR LISTED MATERIAL AT TEMPER LEVEL SHOWN. ALL BENDS 90° UNLESS OTHERWISE SPECIFIED.
 7. INTENDED TO ACCOMODATE CR2032 FORM FACTOR Ø20mm POWER CELL.



WARNING: THIS DRAWING CONTAINS PROPRIETARY INFORMATION THAT IS THE SOLE PROPERTY OF LINX TECHNOLOGIES, AND SHALL BE TREATED AS SUCH. NO DISCLOSURE OR REPRODUCTION OF THIS DOCUMENT IS PERMITTED, IN WHOLE OR IN PART, WITHOUT THE EXPRESS WRITTEN PERMISSION OF LINX TECHNOLOGIES OR ITS DESIGNATED AGENTS.

STE 159 ORT LANE
connectivity MERLIN, OR 97532

MATERIAL: PHOSPHOR BRONZE C5191	INTERPRET DIMENSIONS AND TOLERANCES PER ASME Y14.5.	PROJECTION:
WEIGHT:	.X ±2.0 .XX ±1.00 .XXX ±.500	
FINISH: NICKEL	DRAWN: JHAGER ENGR: SHOGAN	DT: 3/29/21 DT: 3/29/21

TITLE: Battery Retainer Coin, 20.0mm 1 Cell THM, 2016, 2020, 2025, 2032		
SIZE B	DWG. NO. C-BAT-HLD-005-THM	REV A
SCALE: 3:1	DO NOT SCALE DRAWING	SHEET 1 OF 1

Mouser Electronics

Authorized Distributor

Click to View Pricing, Inventory, Delivery & Lifecycle Information:

[TE Connectivity:](#)

[BAT-HLD-005-THM](#)