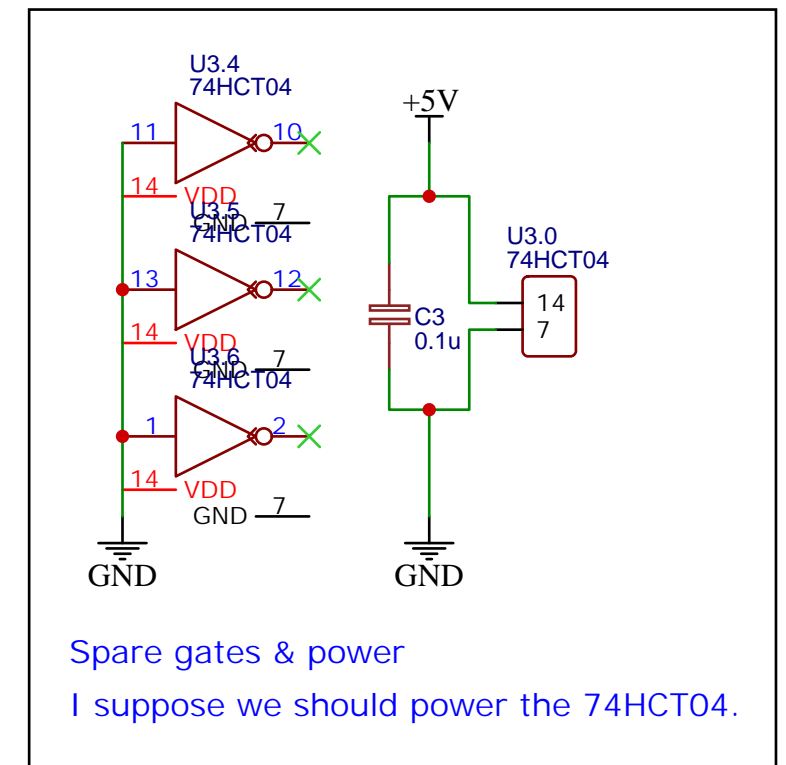
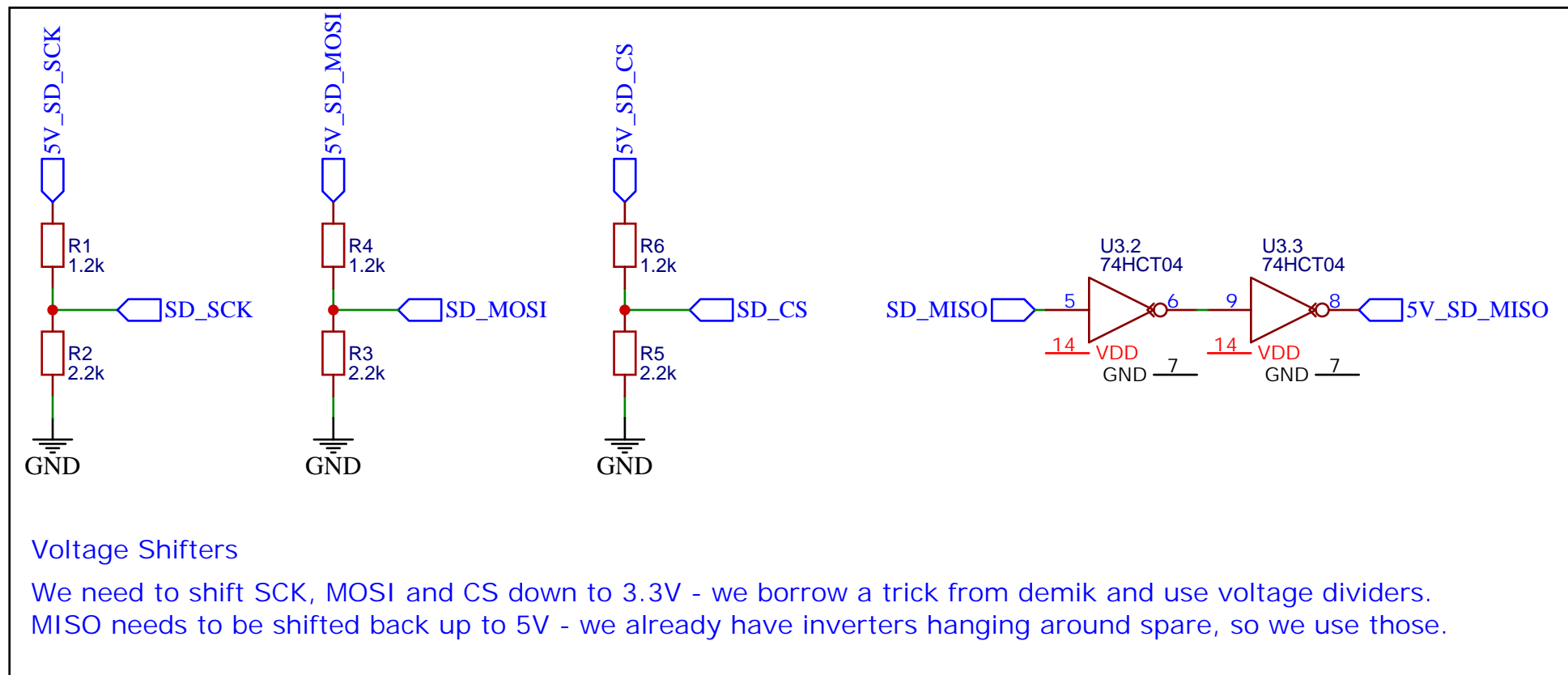
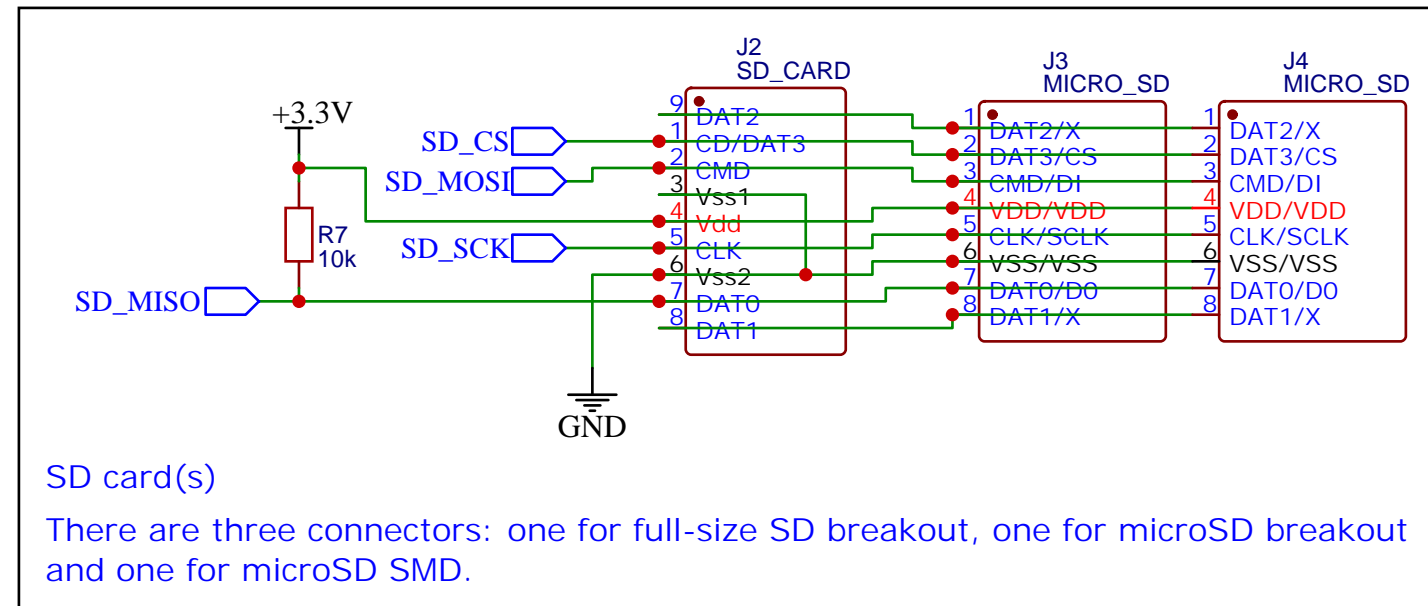
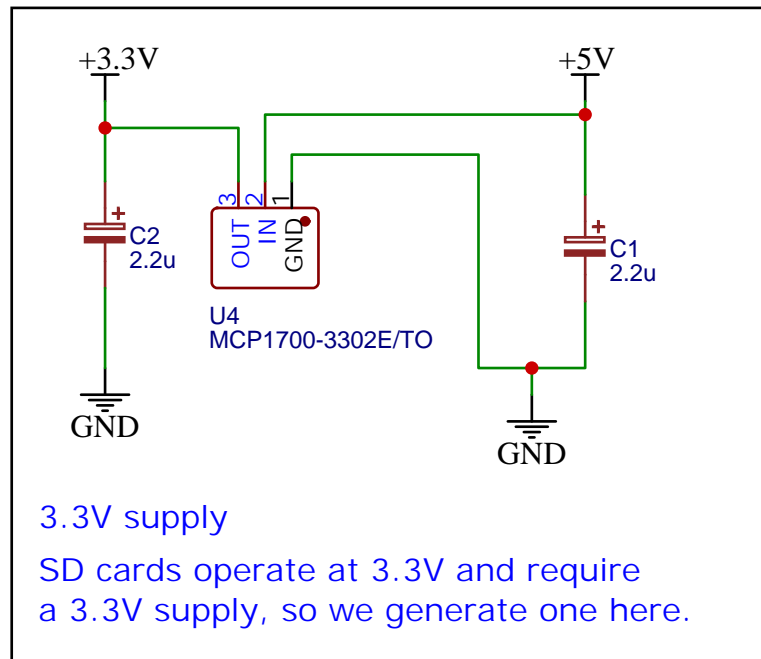
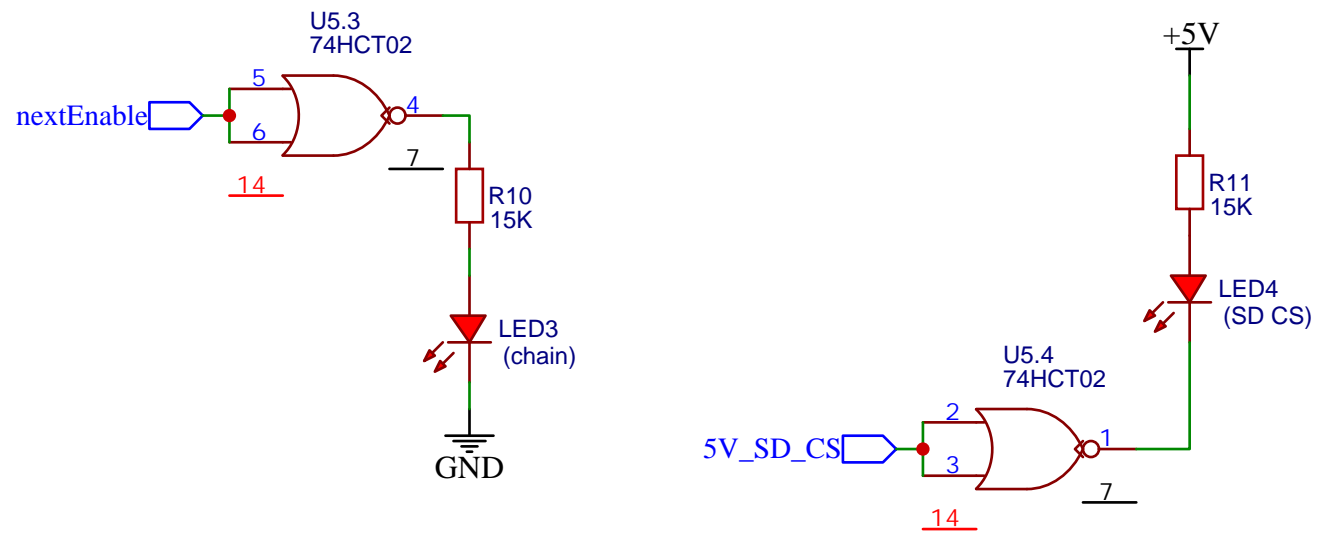
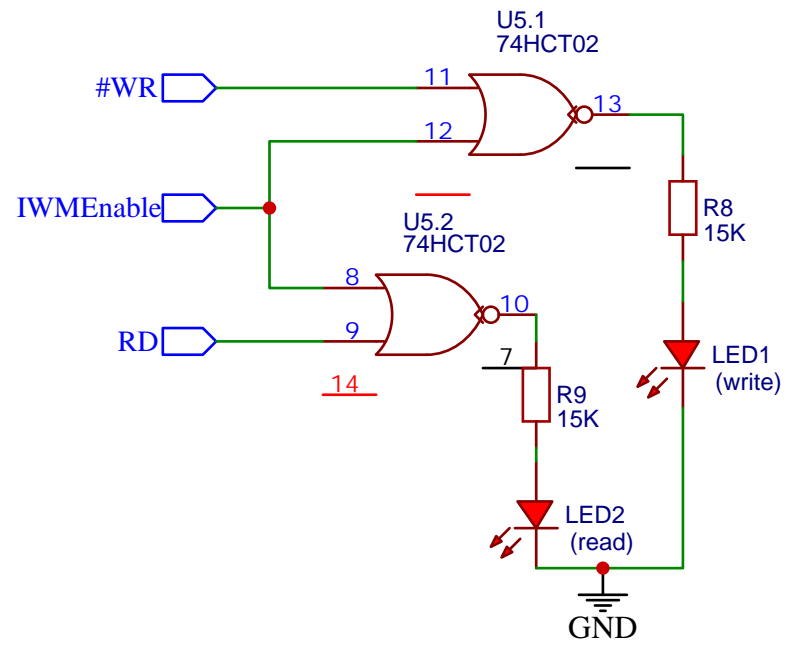


TITLE: IWM and TashTwenty		REV: 1.0
EasyEDA	Company: Your Company	Sheet: 1/1
	Date: 2024-01-03	Drawn By: cheesestraws

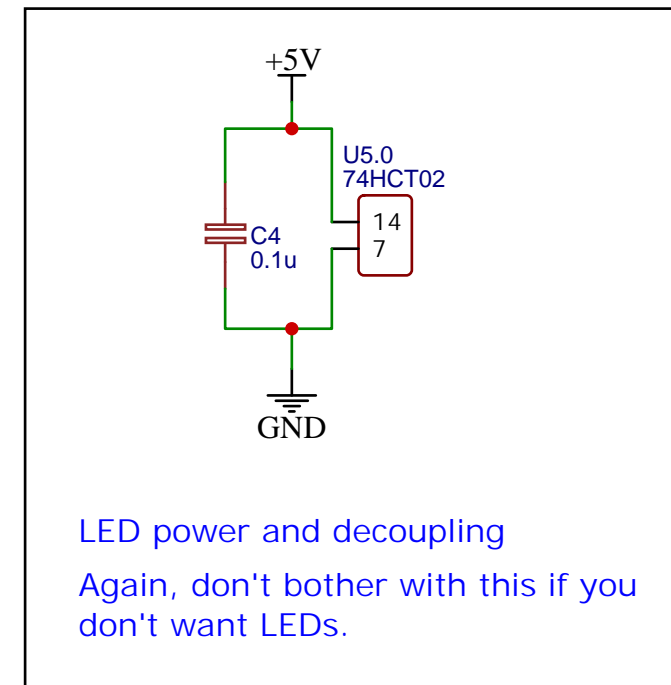


TITLE: SD card & power		REV: 1.0
EasyEDA	Company: Your Company	Sheet: 1/1
	Date: 2024-01-05	Drawn By: cheesestraws



Status LEDs

Some LEDs for debugging purposes. It's totally fine to leave these out if you build one of these - or run wires out to a remote LED somewhere.



LED power and decoupling  
Again, don't bother with this if you don't want LEDs.

Special thanks to demik and Tashtari, whose work this mostly is.

TITLE: Sheet_3		REV: 1.0
EasyEDA	Company: Your Company	Sheet: 1/1
	Date: 2024-01-07	Drawn By: cheesestraws